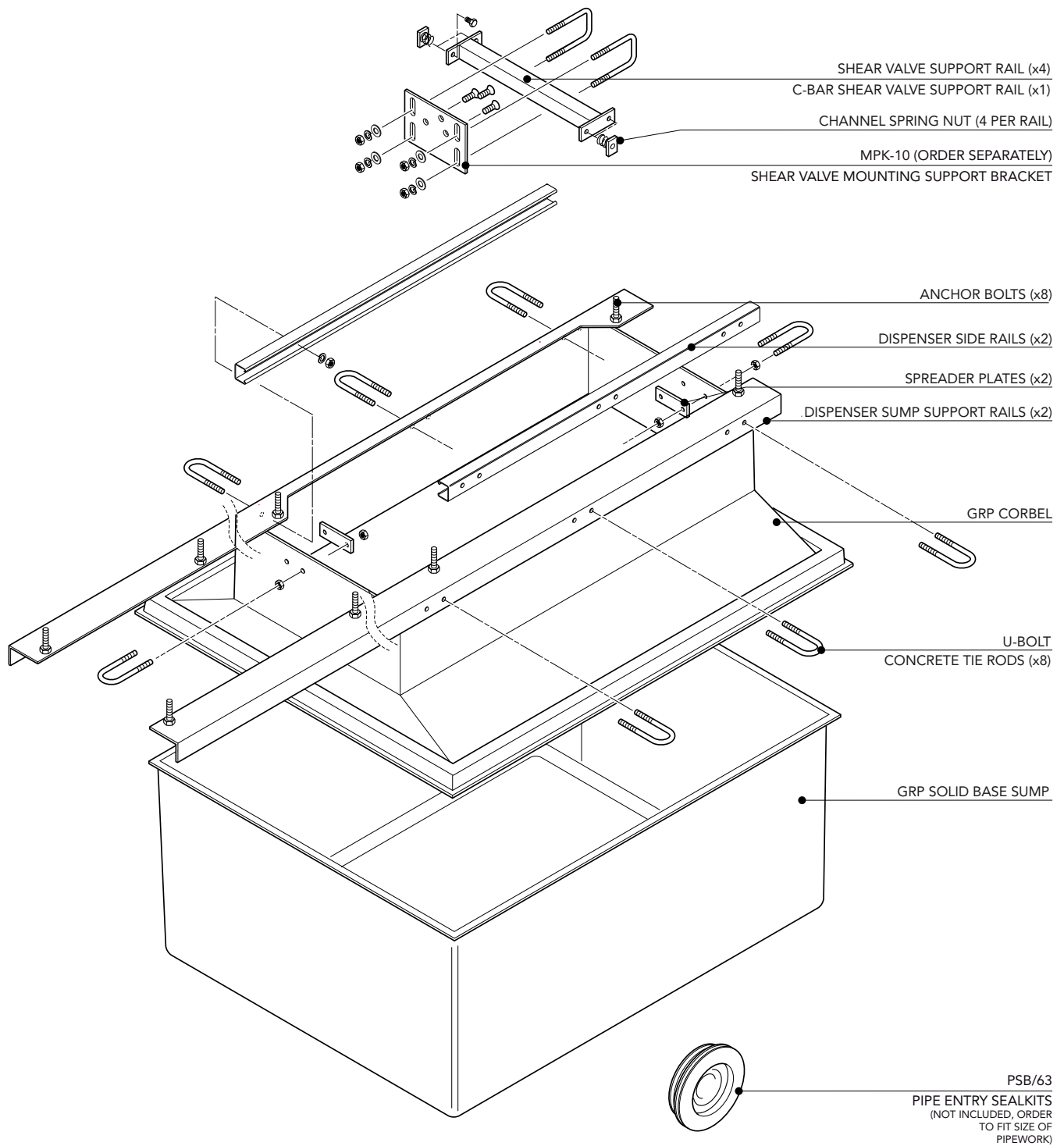


1210mm x 704mm GRP solid base sump and corbel to fit Tokheim Quantum Q500T LPG. Includes metal work.

For reference purposes only. This drawing is not a specification. Order against product code only. To enable continuous improvement of our products, the designs and specifications are subject to change without notice.

FIBRELITE 
PART OF OPW A DOVER COMPANY

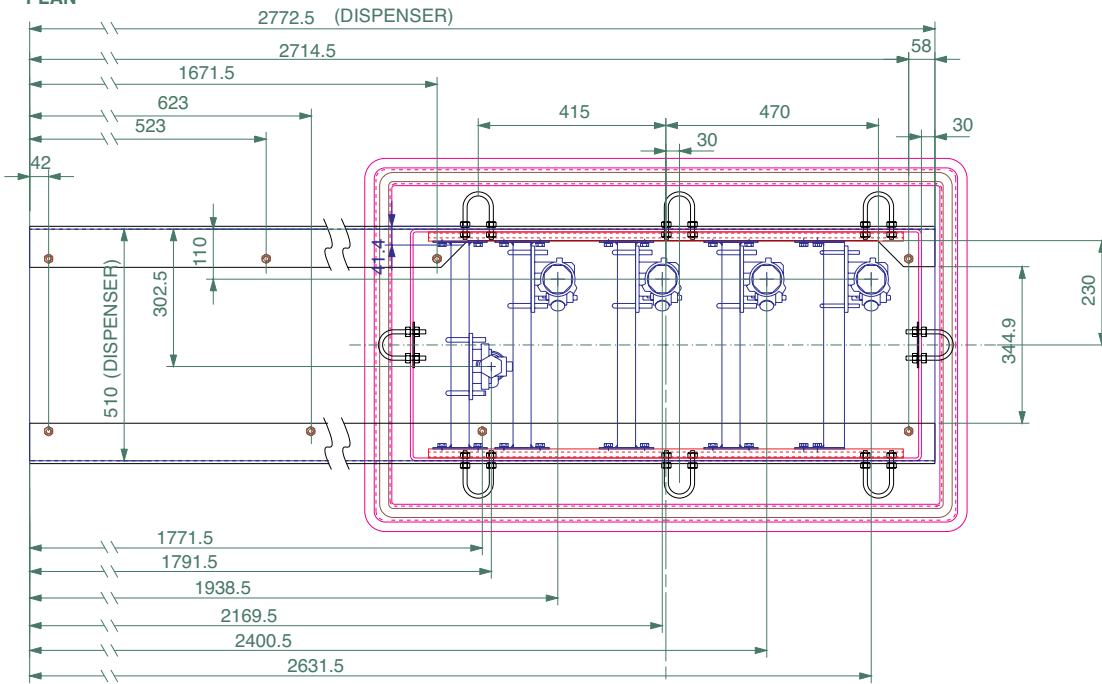


1210mm x 704mm GRP solid base sump and corbel to fit Tokheim Quantum Q500T LPG. Includes metal work.

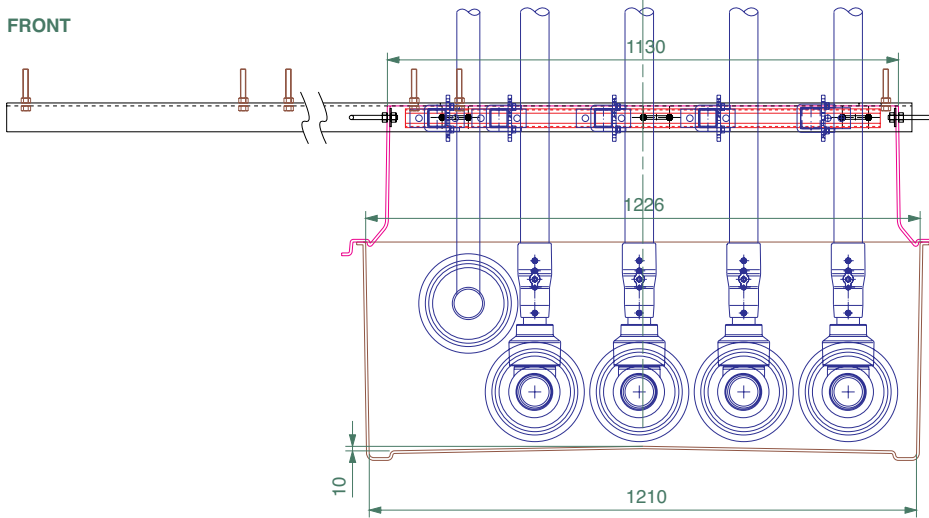
For reference purposes only. This drawing is not a specification. Order against product code only. To enable continuous improvement of our products, the designs and specifications are subject to change without notice.

FIBRELITE 
PART OF OPW A DOVER COMPANY

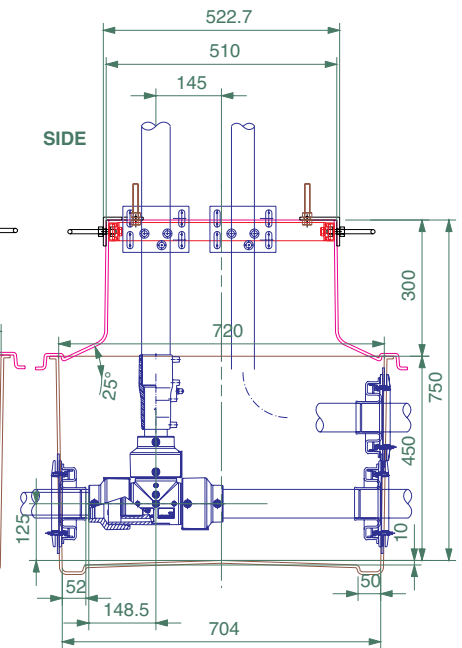
PLAN



FRONT



SIDE



1210mm x 704mm GRP solid base sump and corbel to fit Tokheim Quantum Q500T LPG. Includes metal work.

For reference purposes only. This drawing is not a specification. Order against product code only. To enable continuous improvement of our products, the designs and specifications are subject to change without notice.

FIBRELITE 
PART OF OPW A DOVER COMPANY