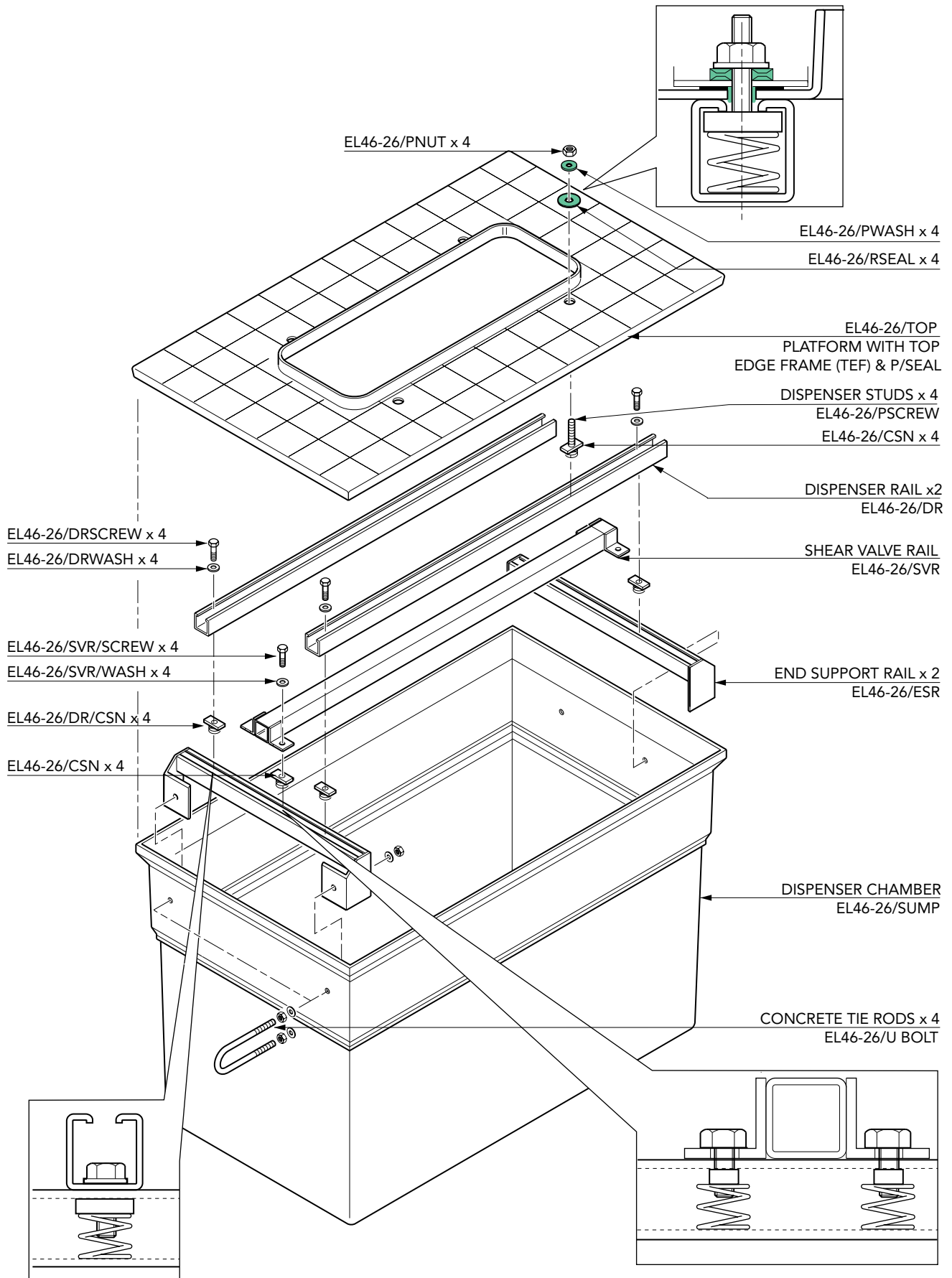


Excel testable dispenser sump. (Single Wall)
 1170mm x 660mm x 750mm deep. Optional shear valve rail for pressure systems.

For reference purposes only. This drawing is not a specification. Order against product code only. To enable continuous improvement of our products, the designs and specifications are subject to change without notice.

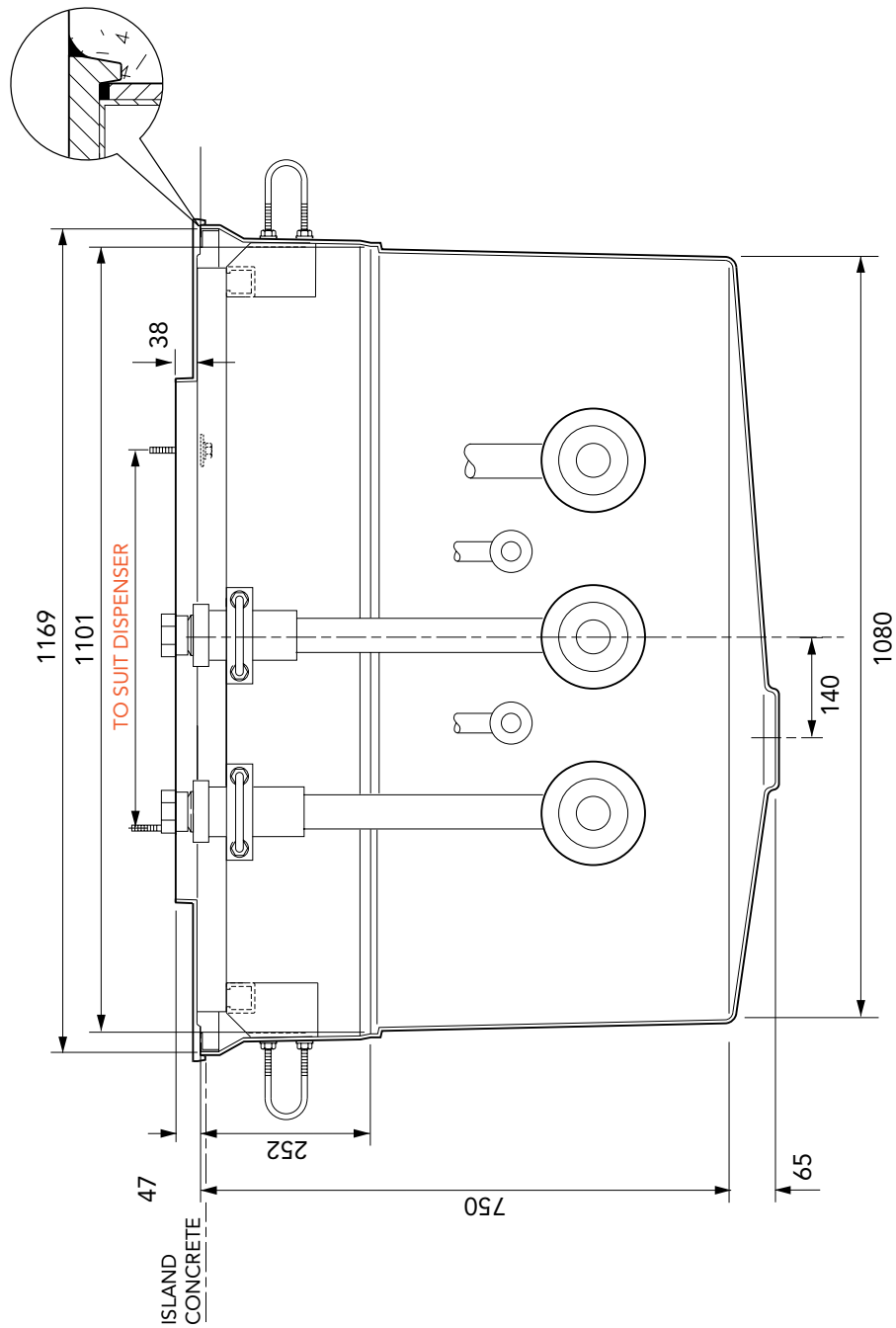
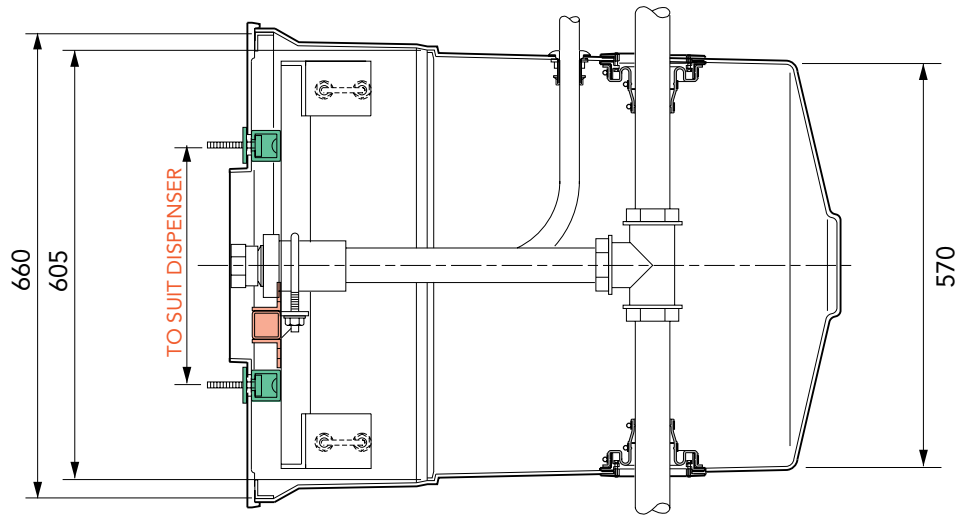
FIBRELITE 
 PART OF OPW A DOWDER COMPANY



Excel testable dispenser sump. (Single Wall)
1170mm x 660mm x 750mm deep. Optional shear valve rail for pressure systems.

For reference purposes only. This drawing is not a specification. Order against product code only. To enable continuous improvement of our products, the designs and specifications are subject to change without notice.

FIBRELITE 
PART OF OPW A DOWDER COMPANY



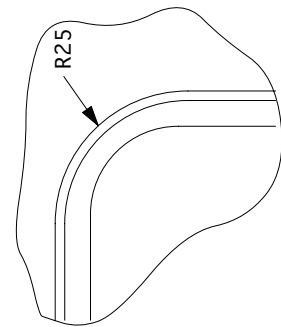
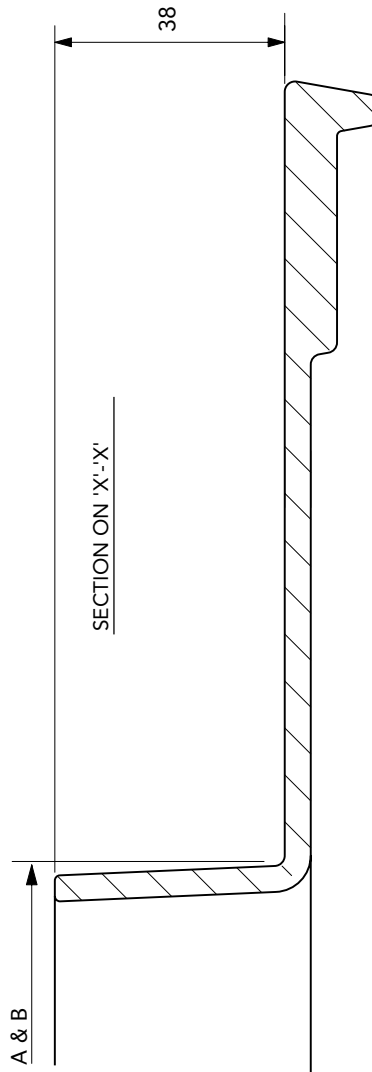
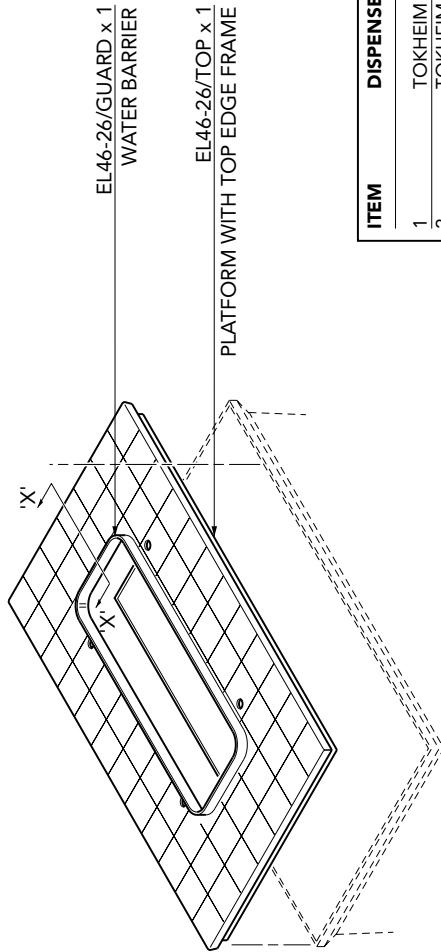
Dispenser Support Rail
 Shear Valve Support Rail

Excel testable dispenser sump. (Single Wall)
1170mm x 660mm x 750mm deep. Optional shear valve rail for pressure systems.

For reference purposes only. This drawing is not a specification. Order against product code only. To enable continuous improvement of our products, the designs and specifications are subject to change without notice.

FIBRELITE

PART OF OPW A DOVER COMPANY



ITEM	DISPENSER SUMP TYPE	'A' - Length	'B' - Width
1	TOKHEIM 400 SERIES	1029	438
2	TOKHEIM 300 SERIES	657	438
3	GILBARCO (ENCORE)	914	438
4	GILBARCO (1642 ADVANTAGE)	1048	393
5	GILBARCO (MPD 3)	902	241
6	DRESSER WAYNE (390, 395, 490, 595)	1054	279
7	GASBOY 9152/3Q TWI	578	317

Excel testable dispenser sump. (Single Wall)
1170mm x 660mm x 750mm deep. Optional shear valve rail for pressure systems.

For reference purposes only. This drawing is not a specification. Order against product code only. To enable continuous improvement of our products, the designs and specifications are subject to change without notice.

FIBRELITE 
PART OF OPW A DOVER COMPANY