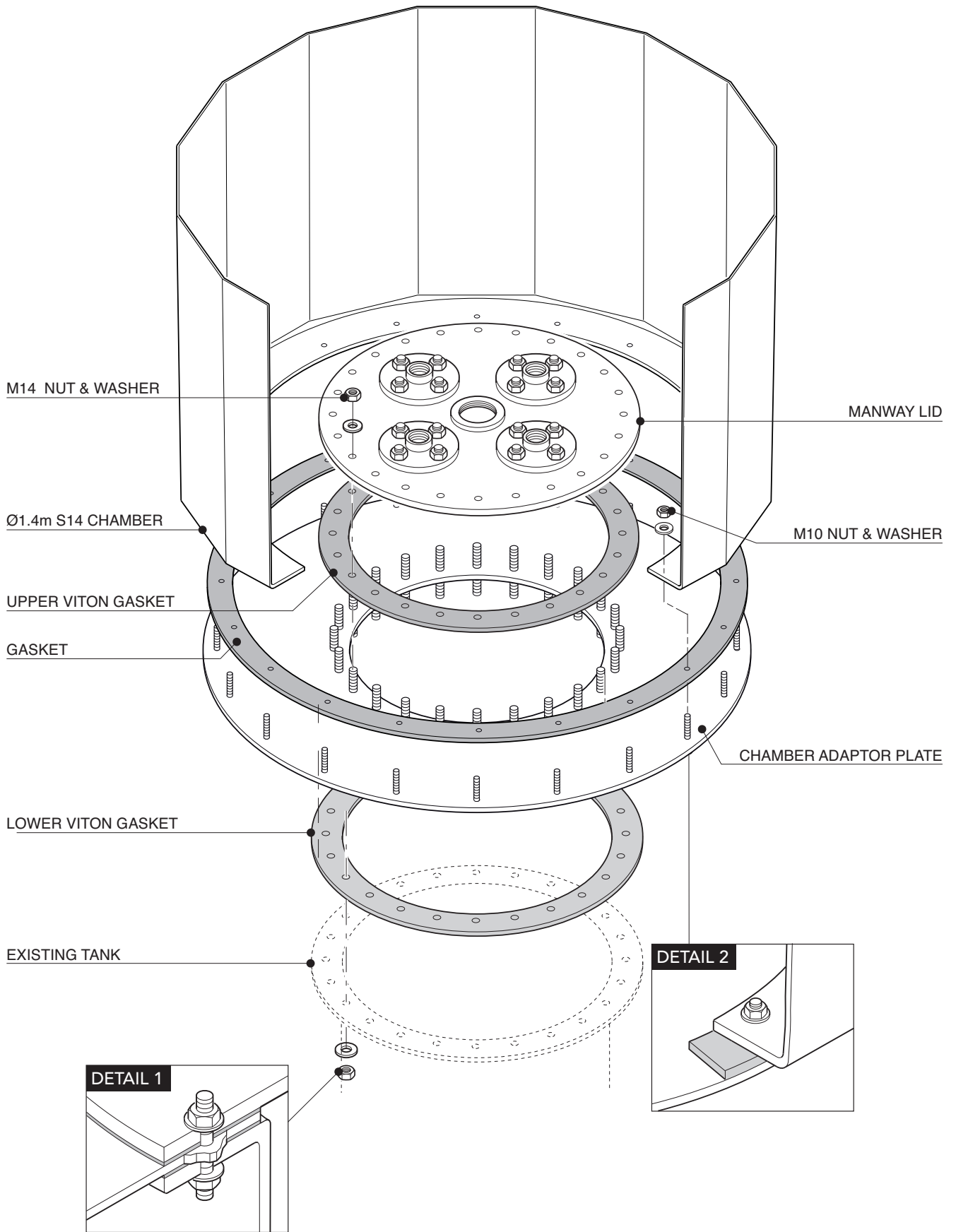


Steel adaptor plate with welded studs to connect the S14 chamber to a round tank manway lid. Various sizes available.

For reference purposes only. This drawing is not a specification. Order against product code only. To enable continuous improvement of our products, the designs and specifications are subject to change without notice.

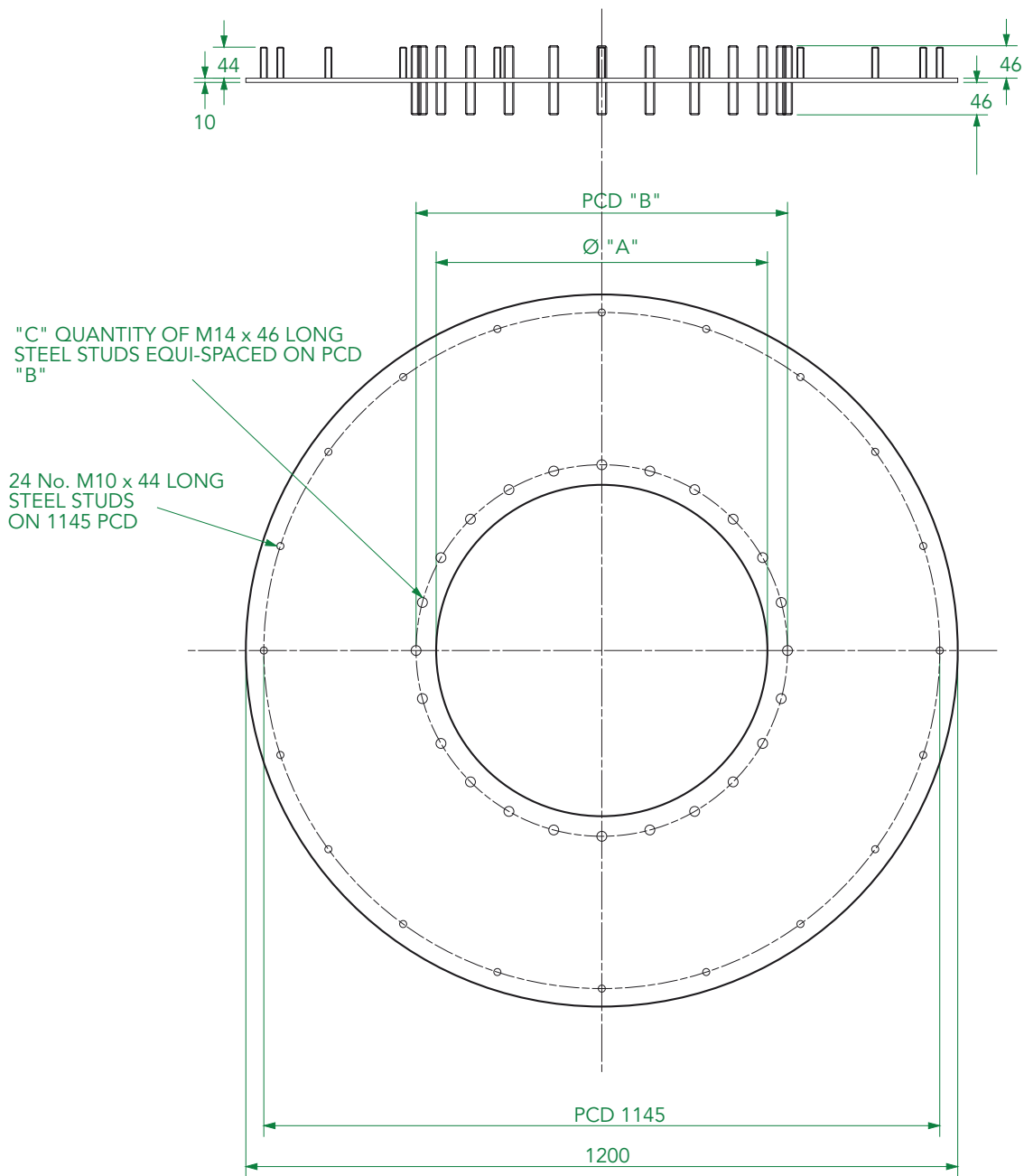
FIBRELITE 
PART OF OPW A DOVER COMPANY



Steel adaptor plate with welded studs to connect the S14 chamber to a round tank manway lid. Various sizes available.

For reference purposes only. This drawing is not a specification. Order against product code only. To enable continuous improvement of our products, the designs and specifications are subject to change without notice.

FIBRELITE 
 PART OF OPW A DOVER COMPANY



ITEM	NOMINAL SIZE	DIMENSIONS		
		A	B	C
1	460 (18")	470	527	20
2	460 (18")	470	530	16
3	600 (24")	600	680	24
4	600 (24")	600	680	28
5	600 (24")	600	680	32

MATERIAL: STEEL, ZINC PLATED