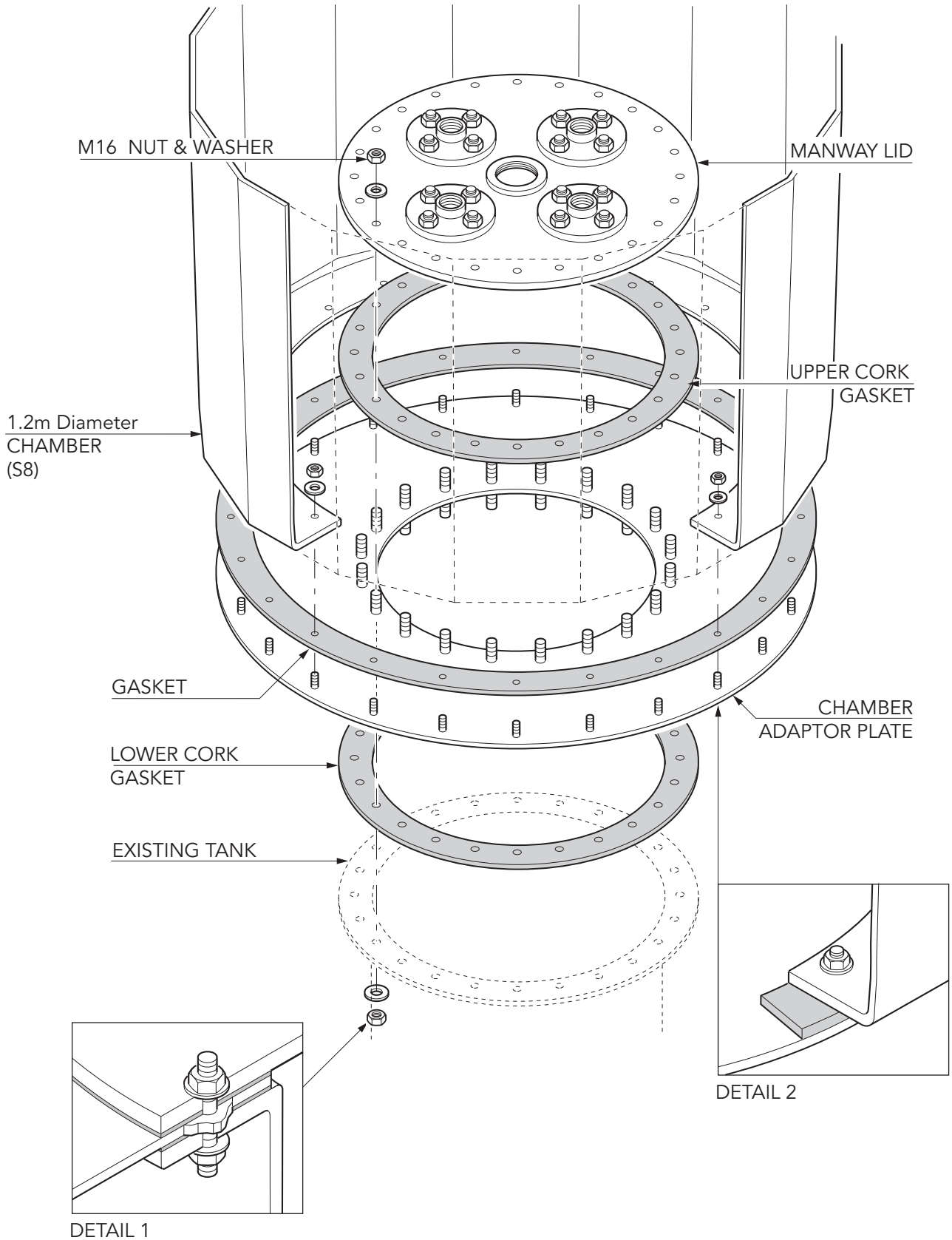


Steel adaptor plate with welded studs to connect the S8 chamber to a round tank manway lid. Various sizes available.

For reference purposes only. This drawing is not a specification. Order against product code only. To enable continuous improvement of our products, the designs and specifications are subject to change without notice.

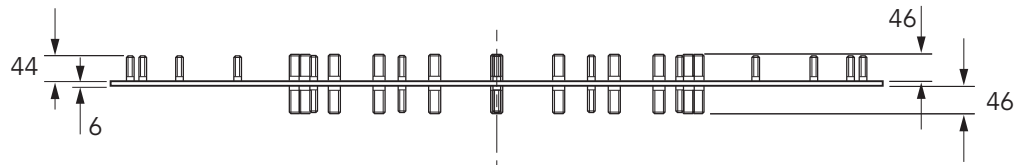
**FIBRELITE**   
PART OF OPW A DOVER COMPANY



Steel adaptor plate with welded studs to connect the S8 chamber to a round tank manway lid. Various sizes available.

For reference purposes only. This drawing is not a specification. Order against product code only. To enable continuous improvement of our products, the designs and specifications are subject to change without notice.

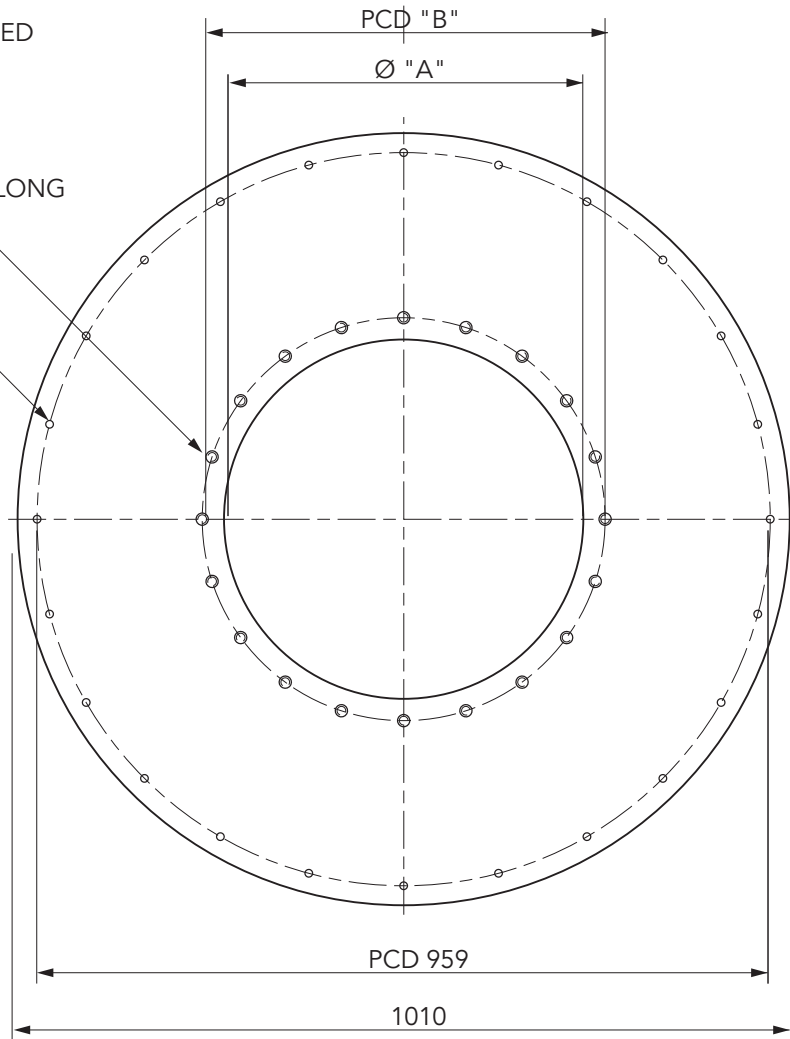
**FIBRELITE**   
PART OF OPW A DOVER COMPANY



MATERIAL STEEL, ZINC PLATED

"C" QUANTITY OF M14 x 46 LONG STEEL STUDS EQUI-SPACED ON PCD "B"

24 X M10 X 44 LONG STEEL STUDS ON 959 PCD



DIMENSIONS A, B & C TO BE DETERMINED BY SPECIFIC INSTALLATION

Item	Nominal Size	Dimensions		
		A	B	C
1	460 (18")	470	527	20
2	460 (18")	470	530	16
3	600 (24")	600	680	24
4	600 (24")	600	680	28
5	600 (24")	600	680	32