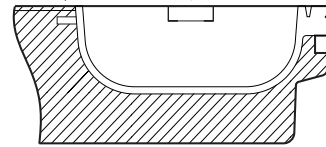
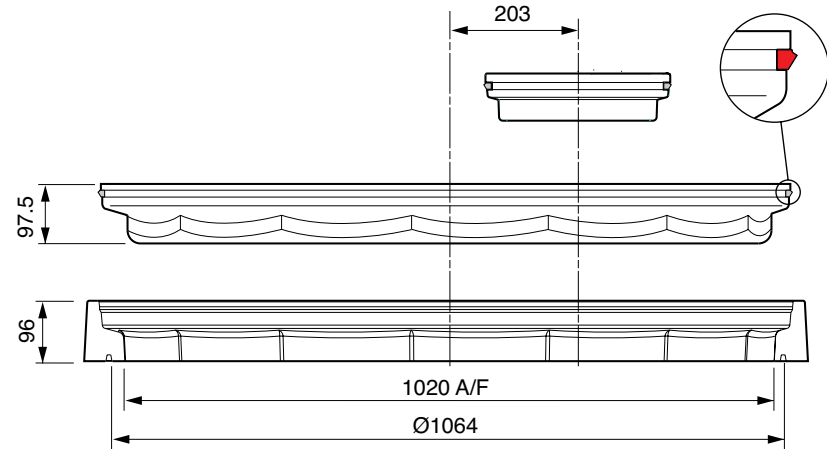
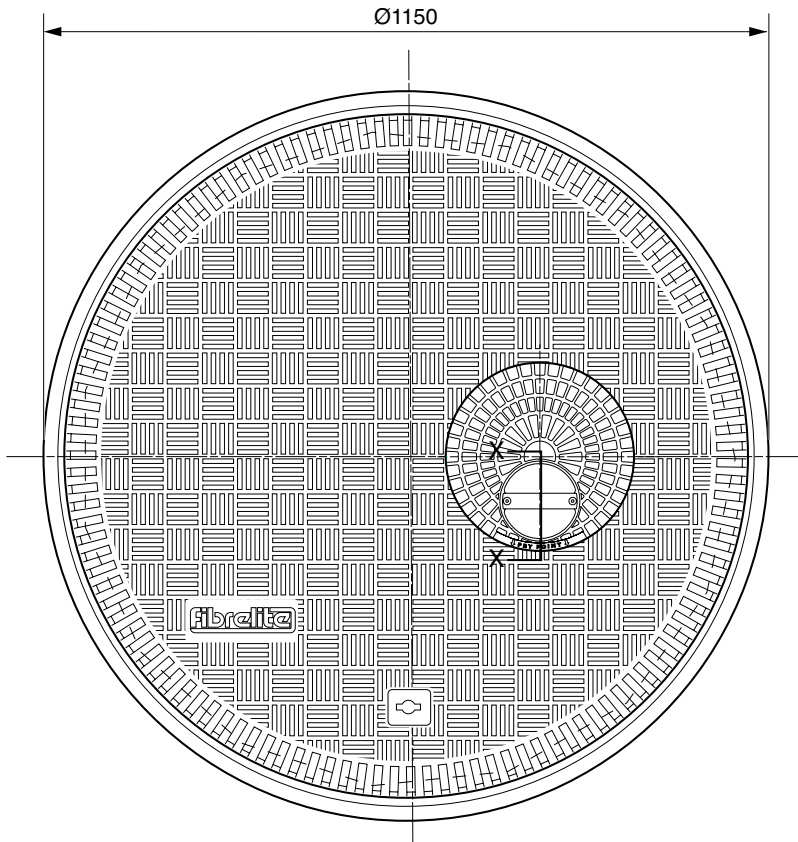
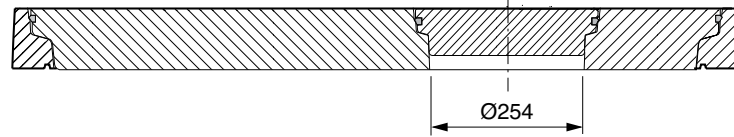


1020mm dia. watertight flat sealed composite cover and frame, with an offset port cover.

For reference purposes only. This drawing is not a specification. Order against product code only. To enable continuous improvement of our products, the designs and specifications are subject to change without notice.

**FIBRELITE**   
PART OF OPW A DOVER COMPANY



SECTION X - X  
HANDLE BOWL

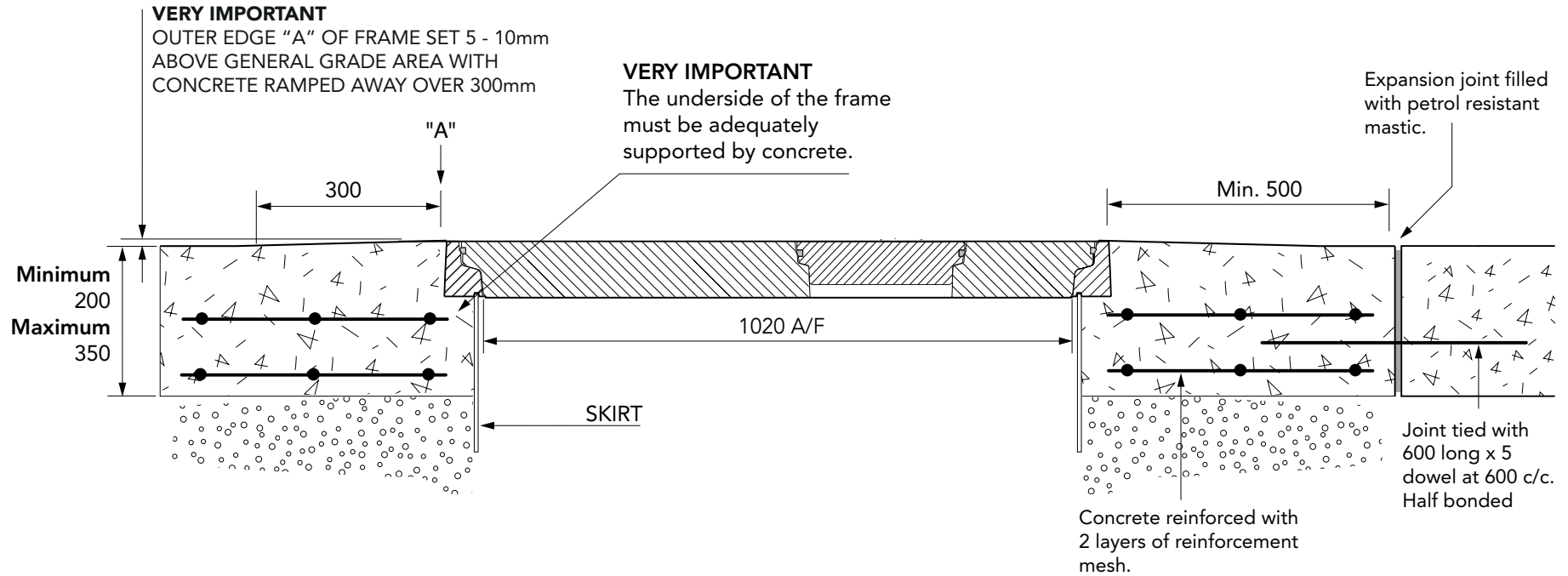
Load Rating	Cover Weight	Frame Weight	Port Cover Weight
C250	48 kg	11 kg	3 kg

1020mm dia. watertight flat sealed composite cover and frame, with an offset port cover.

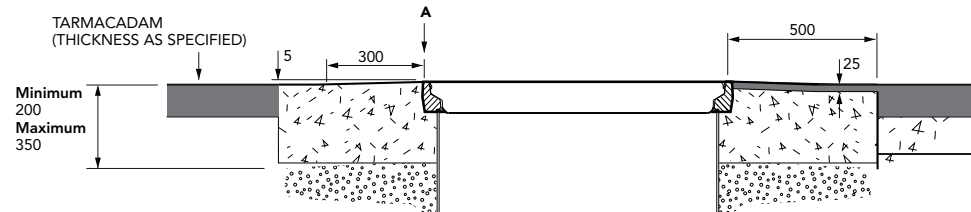
For reference purposes only. This drawing is not a specification. Order against product code only. To enable continuous improvement of our products, the designs and specifications are subject to change without notice.



# CONCRETE



# TARMACADAM



1020mm dia. watertight flat sealed composite cover and frame, with an offset port cover.

For reference purposes only. This drawing is not a specification. Order against product code only. To enable continuous improvement of our products, the designs and specifications are subject to change without notice.

