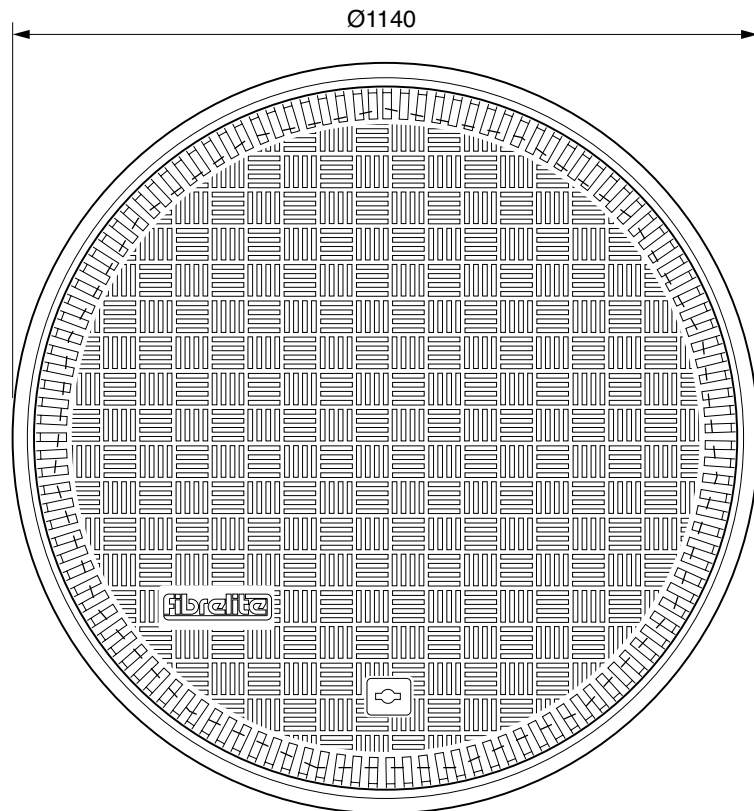
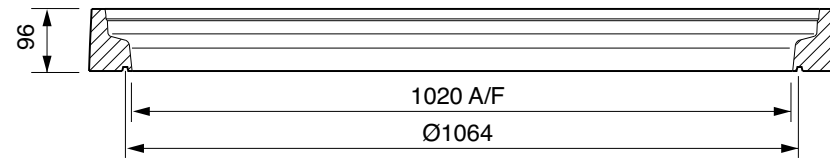
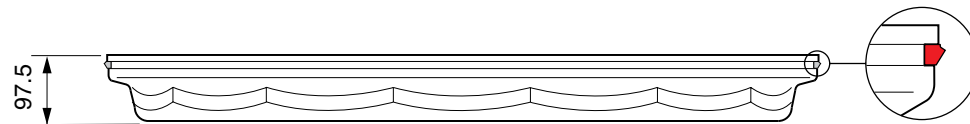


1020mm diameter flat sealed composite cover with a composite frame.

For reference purposes only. This drawing is not a specification. Order against product code only. To enable continuous improvement of our products, the designs and specifications are subject to change without notice.

FIBRELITE 
PART OF OPW A DOVER COMPANY



Load Rating	Cover Weight	Frame Weight
C250	47 kg	11 kg
D400	61 kg	11 kg

1020mm diameter flat sealed composite cover with a composite frame.

For reference purposes only. This drawing is not a specification. Order against product code only. To enable continuous improvement of our products, the designs and specifications are subject to change without notice.

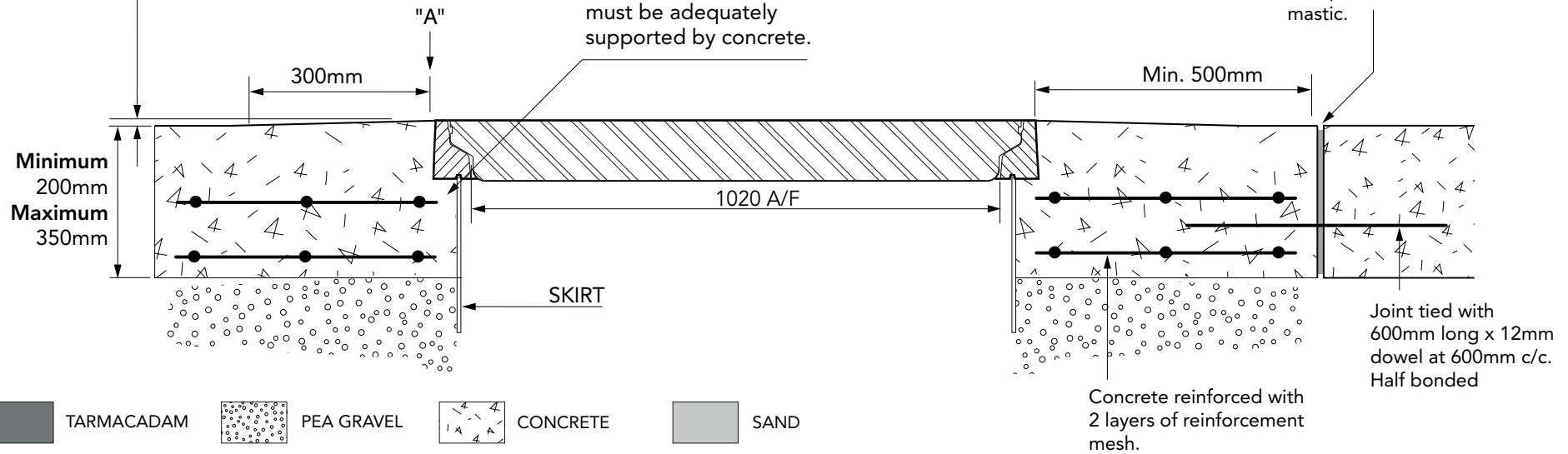
FIBRELITE 
PART OF OPW A DOVER COMPANY

CONCRETE VERY IMPORTANT

OUTER EDGE 'A' OF FRAME SET 5MM ABOVE GENERAL FORECOURT AREA WITH CONCRETE RAMPED AWAY OVER 300MM

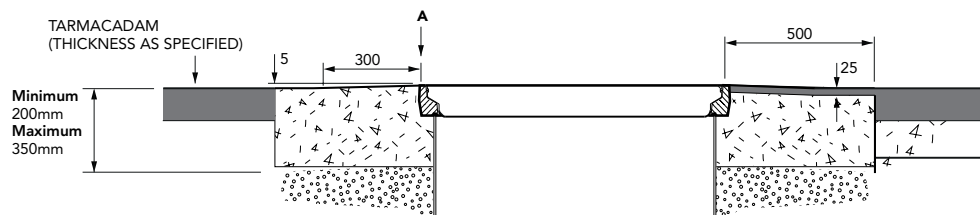
VERY IMPORTANT
The underside of the frame must be adequately supported by concrete.

Expansion joint filled with petrol resistant mastic.

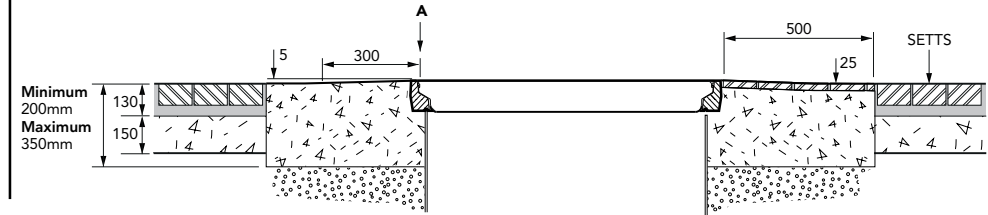


TARMACADAM
 PEA GRAVEL
 CONCRETE
 SAND

TARMACADAM



SETTS



1020mm diameter flat sealed composite cover with a composite frame.

For reference purposes only. This drawing is not a specification. Order against product code only. To enable continuous improvement of our products, the designs and specifications are subject to change without notice.

