

PORT COVER  
(Available Colour Coded)

FL600-CD COVER

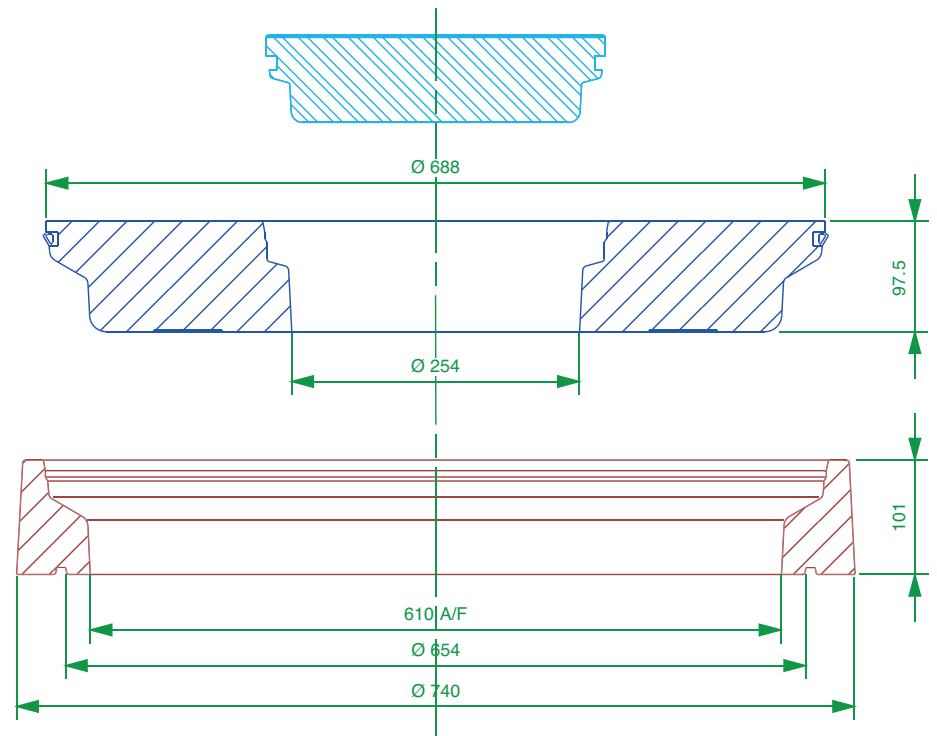
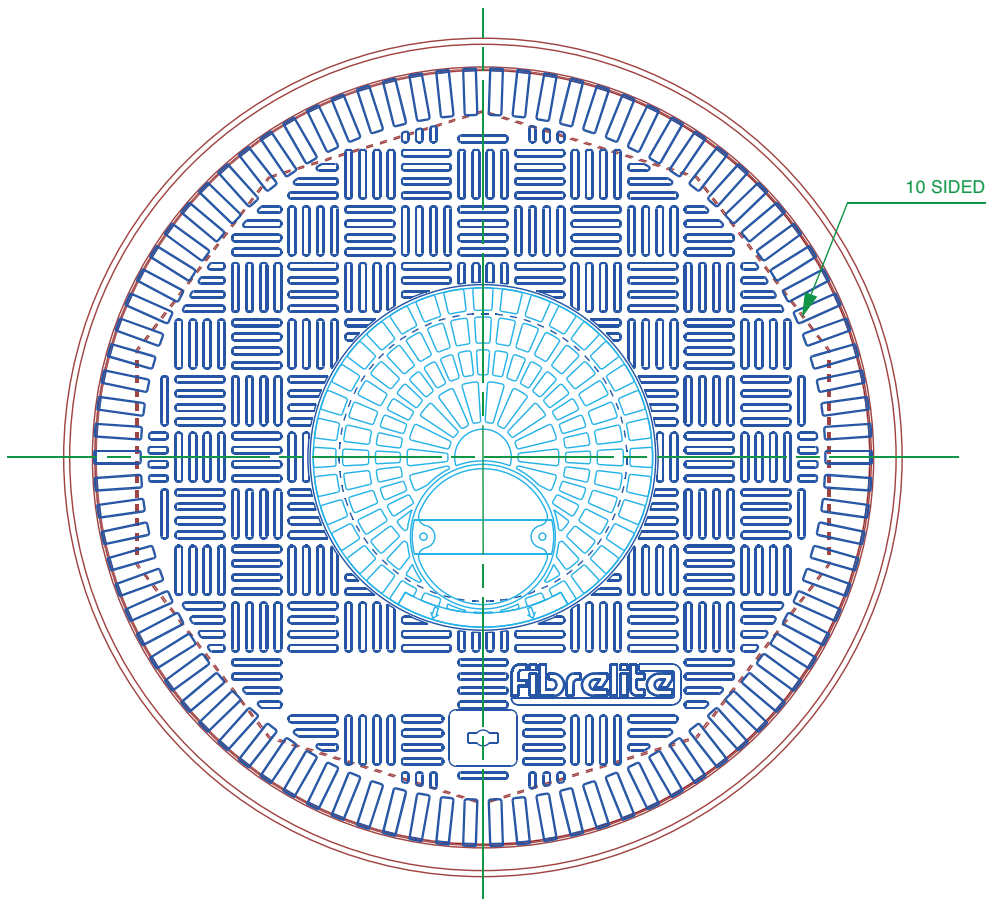
SEAL

FL600 FRAME

600mm diameter flat sealed composite cover with a central port cover and composite frame.

For reference purposes only. This drawing is not a specification. Order against product code only. To enable continuous improvement of our products, the designs and specifications are subject to change without notice.

**FIBRELITE**   
PART OF OPW A DOVER COMPANY



| Load Rating | Cover Weight | Frame Weight |
|-------------|--------------|--------------|
| B125        | 7.5 kg       | 6.5 kg       |
| C250        | 21 kg        | 6.5 kg       |
| D400        | 26 kg        | 6.5 kg       |

600mm diameter flat sealed composite cover with a central port cover and composite frame.

For reference purposes only. This drawing is not a specification. Order against product code only. To enable continuous improvement of our products, the designs and specifications are subject to change without notice.



**CONCRETE**

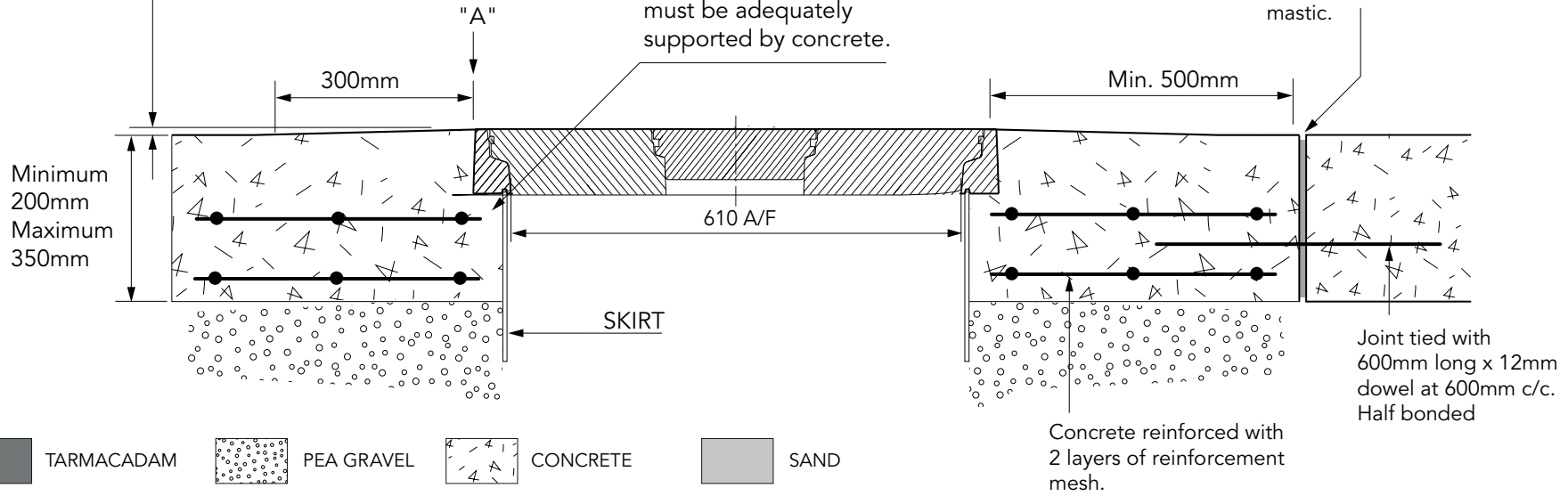
**VERY IMPORTANT**

OUTER EDGE 'A' OF FRAME SET 5MM ABOVE GENERAL FORECOURT AREA WITH CONCRETE RAMPED AWAY OVER 300MM

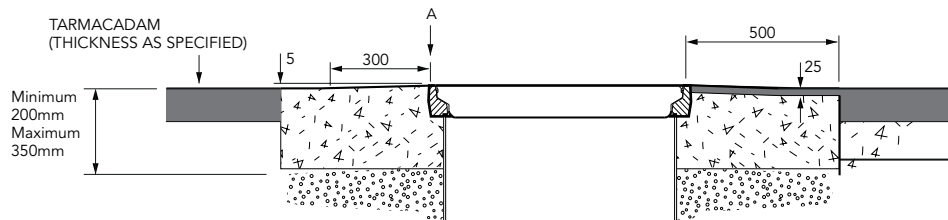
**VERY IMPORTANT**

The underside of the frame must be adequately supported by concrete.

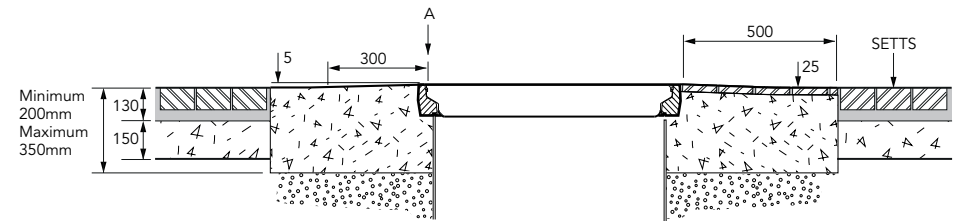
Expansion joint filled with petrol resistant mastic.



**TARMACADAM**



**SETTS**



600mm diameter flat sealed composite cover with a central port cover and composite frame.

For reference purposes only. This drawing is not a specification. Order against product code only. To enable continuous improvement of our products, the designs and specifications are subject to change without notice.

