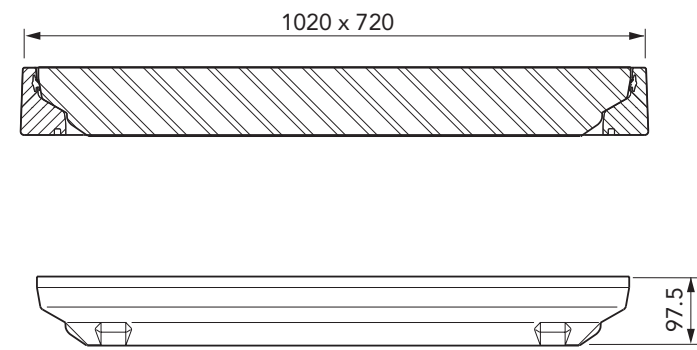
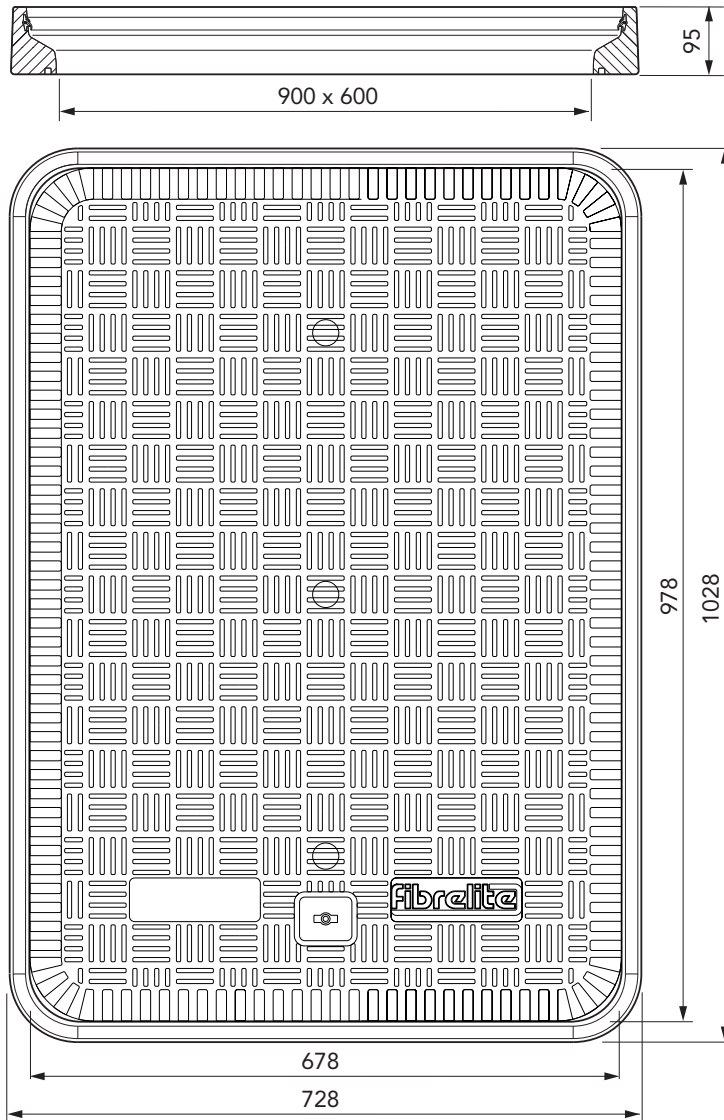


900 x 600mm flat sealed composite cover with an aluminium frame.

For reference purposes only. This drawing is not a specification. Order against product code only. To enable continuous improvement of our products, the designs and specifications are subject to change without notice.

**FIBRELITE**   
PART OF OPW A DOVER COMPANY



Load Rating	Cover Weight	Frame Weight
A15	16 kg	11 kg
B125	19 kg	11 kg
C250	28 kg	11 kg
D400	38.5 kg	11 kg
E600	47 kg	13.3 kg

900 x 600mm flat sealed composite cover with an aluminium frame.

For reference purposes only. This drawing is not a specification. Order against product code only. To enable continuous improvement of our products, the designs and specifications are subject to change without notice.



# CONCRETE

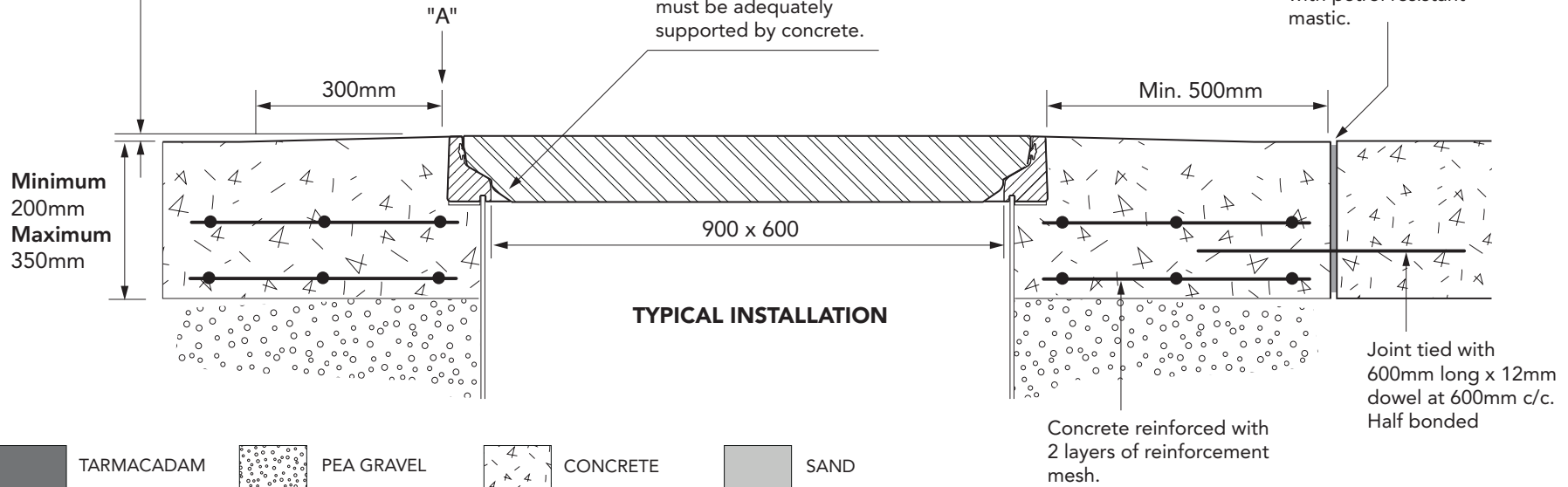
**VERY IMPORTANT**

OUTER EDGE "A" OF FRAME SET 5MM ABOVE GENERAL FORECOURT AREA WITH CONCRETE RAMPED AWAY OVER 300MM

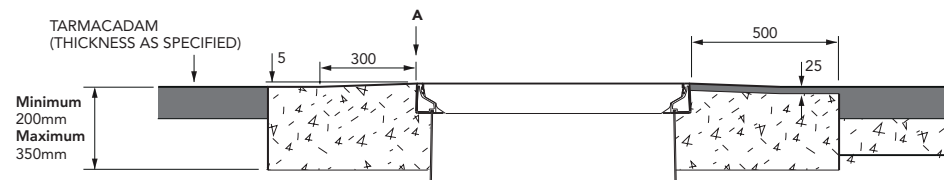
**VERY IMPORTANT**

The underside of the frame must be adequately supported by concrete.

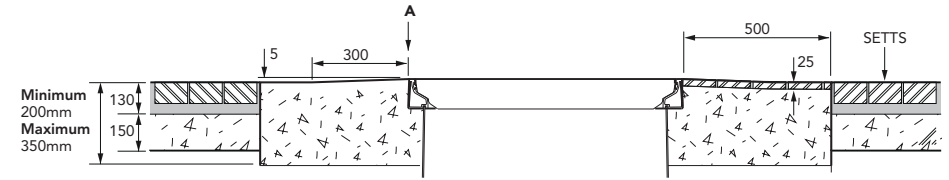
Expansion joint filled with petrol resistant mastic.



## TARMACADAM



## SETTS



900 x 600mm flat sealed composite cover with an aluminium frame.

For reference purposes only. This drawing is not a specification. Order against product code only. To enable continuous improvement of our products, the designs and specifications are subject to change without notice.

