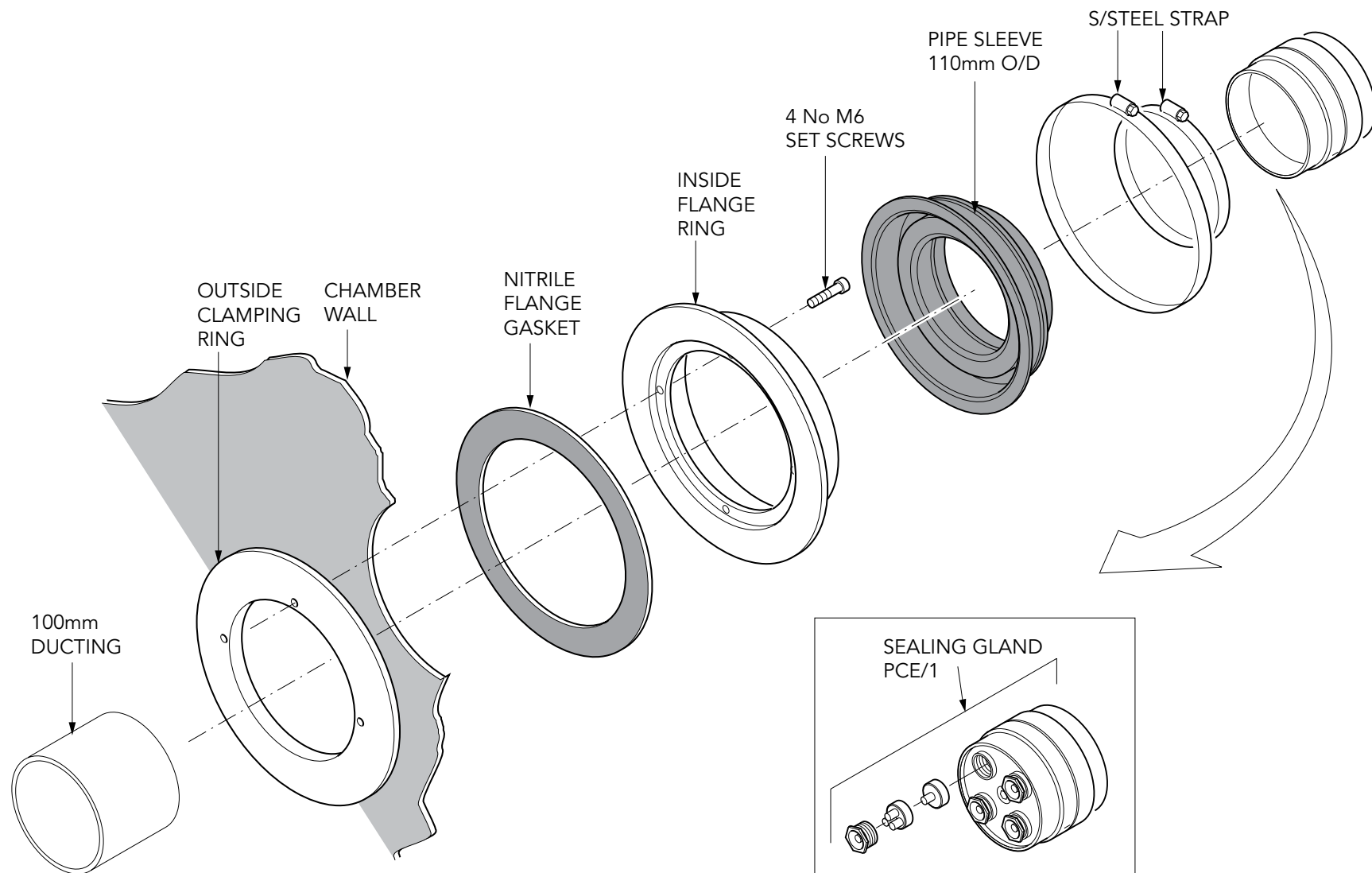


110mm dia. pipe entry seal kit (PSB/110), with sealtight compression gland. Sealing gland fits 4 cables (9-20mm) or 12 cables (4-8mm). Internal sealing gland can be purchased separately. (PCE/1)

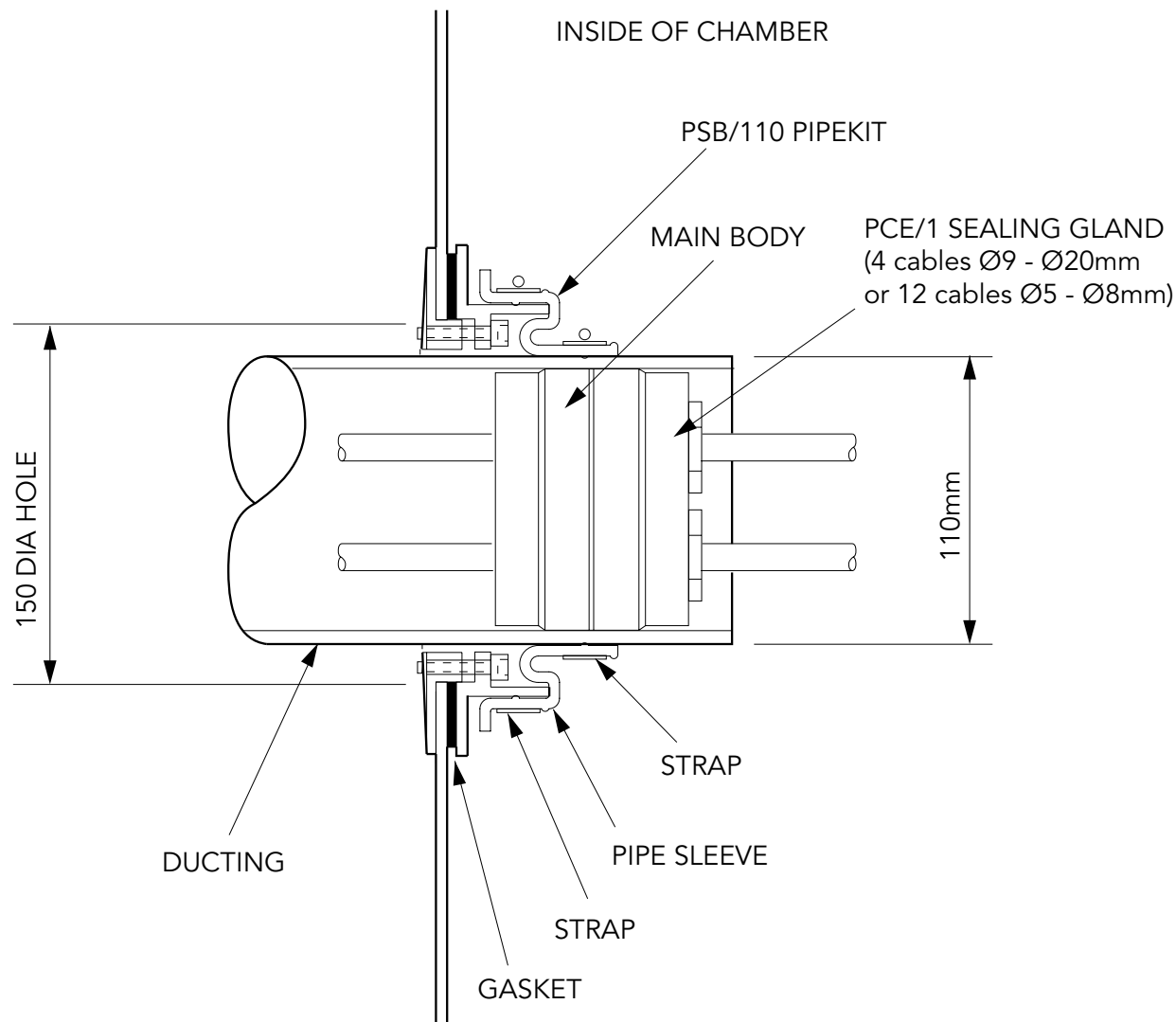
For reference purposes only. This drawing is not a specification. Order against product code only. To enable continuous improvement of our products, the designs and specifications are subject to change without notice.

**FIBRELITE**   
PART OF OPW A  COMPANY



110mm dia. pipe entry seal kit (PSB/110), with sealtight compression gland. Sealing gland fits 4 cables (9-20mm) or 12 cables (4-8mm). Internal sealing gland can be purchased separately. (PCE/1)

For reference purposes only. This drawing is not a specification. Order against product code only. To enable continuous improvement of our products, the designs and specifications are subject to change without notice.



The PCE/1 sealing body is capable of sealing to ducts with an internal diameter ranging from 97 to 110mm.

The PSB/110 pipe seal kit is capable of sealing to ducts with a external diameter ranging from 99 to 116 mm.

110mm dia. pipe entry seal kit (PSB/110), with sealtight compression gland. Sealing gland fits 4 cables (9-20mm) or 12 cables (4-8mm). Internal sealing gland can be purchased separately. (PCE/1)

For reference purposes only. This drawing is not a specification. Order against product code only. To enable continuous improvement of our products, the designs and specifications are subject to change without notice.

**FIBRELITE**   
PART OF OPW A DOVER COMPANY