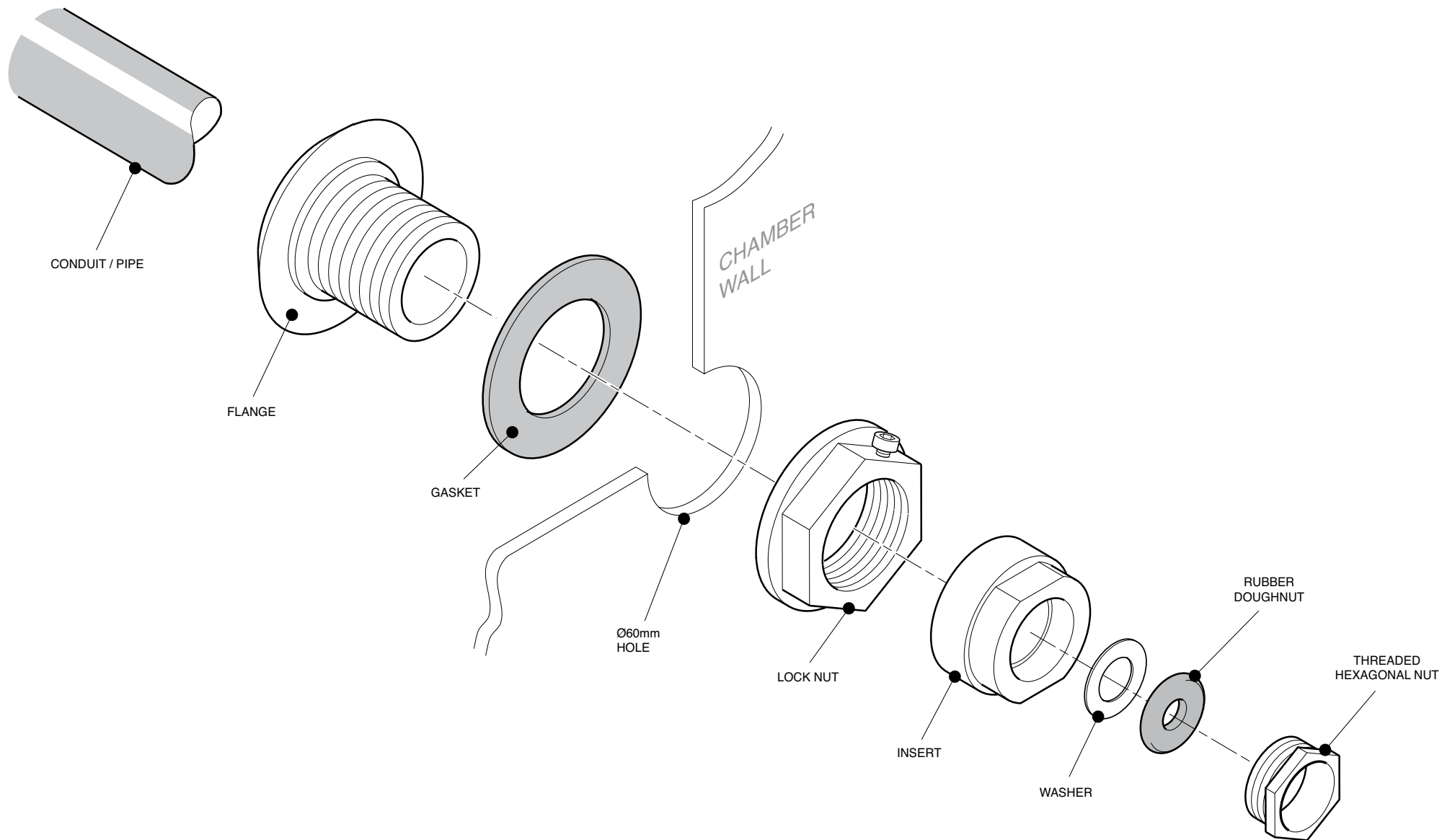


Grounding cable sealkit, designed to fit 1" steel conduit.  
1 hole doughnut fits 1 cable 9-20mm dia.  
3 hole doughnut fits 3 cables 5-8mm dia.

For reference purposes only. This drawing is not a specification. Order against product code only. To enable continuous improvement of our products, the designs and specifications are subject to change without notice.

**FIBRELITE**   
PART OF OPW A  DOVER COMPANY

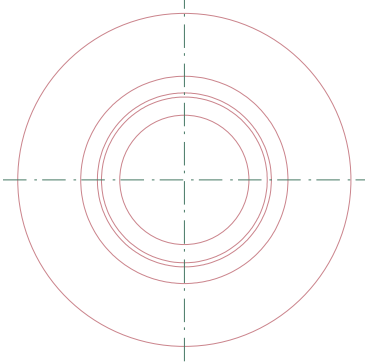


Grounding cable sealkit, designed to fit 1" steel conduit.  
 1 hole doughnut fits 1 cable 9-20mm dia.  
 3 hole doughnut fits 3 cables 5-8mm dia.

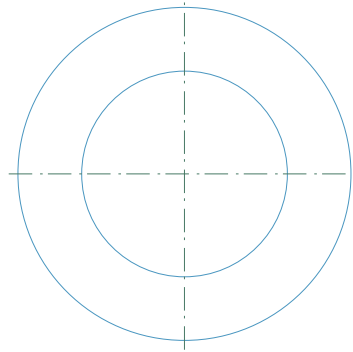
For reference purposes only. This drawing is not a specification. Order against product code only. To enable continuous improvement of our products, the designs and specifications are subject to change without notice.



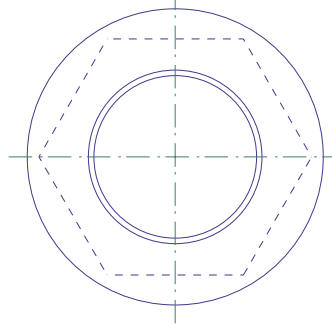
FRONT VIEW



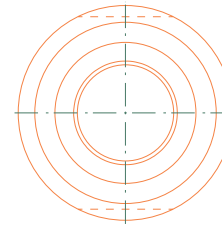
FLANGE



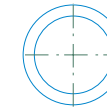
GASKET



LOCK NUT



INSERT



WASHER

STANDARD DOUGHNUT  
1 No. Ø8 HOLE



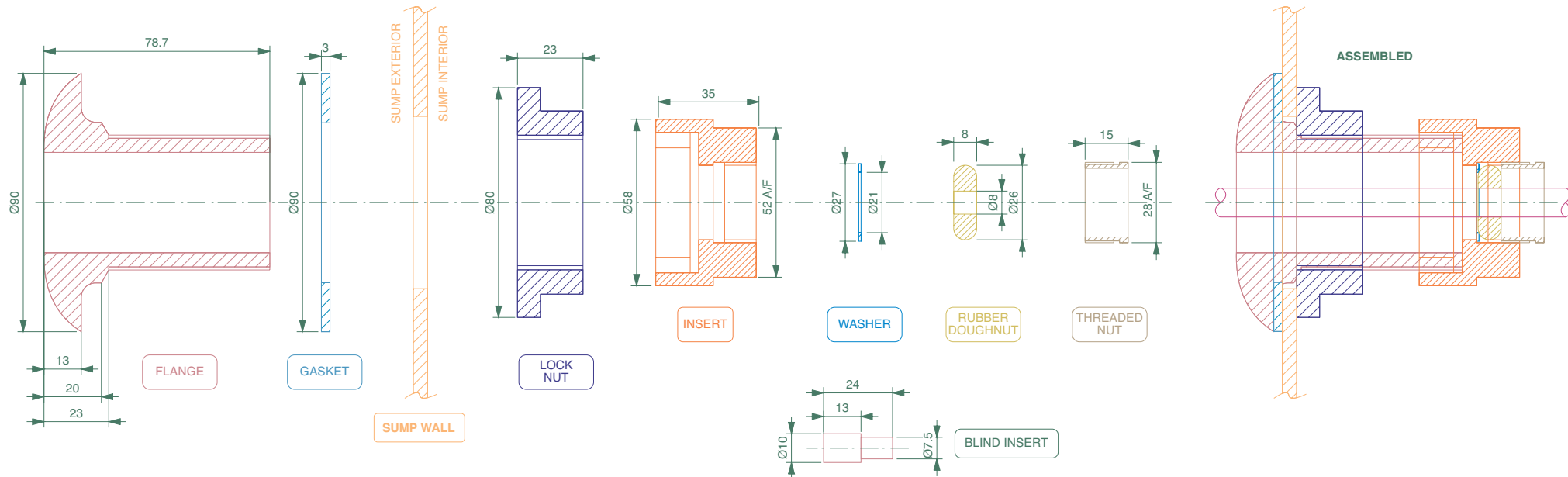
MULTIPLE DOUGHNUT  
3 No. Ø8 HOLES  
ON 14 PCD



RUBBER DOUGHNUT VARIANTS



THREADED NUT



ASSEMBLED

Grounding cable sealkit, designed to fit 1" steel conduit.  
1 hole doughnut fits 1 cable 9-20mm dia.  
3 hole doughnut fits 3 cables 5-8mm dia.

For reference purposes only. This drawing is not a specification. Order against product code only. To enable continuous improvement of our products, the designs and specifications are subject to change without notice.

