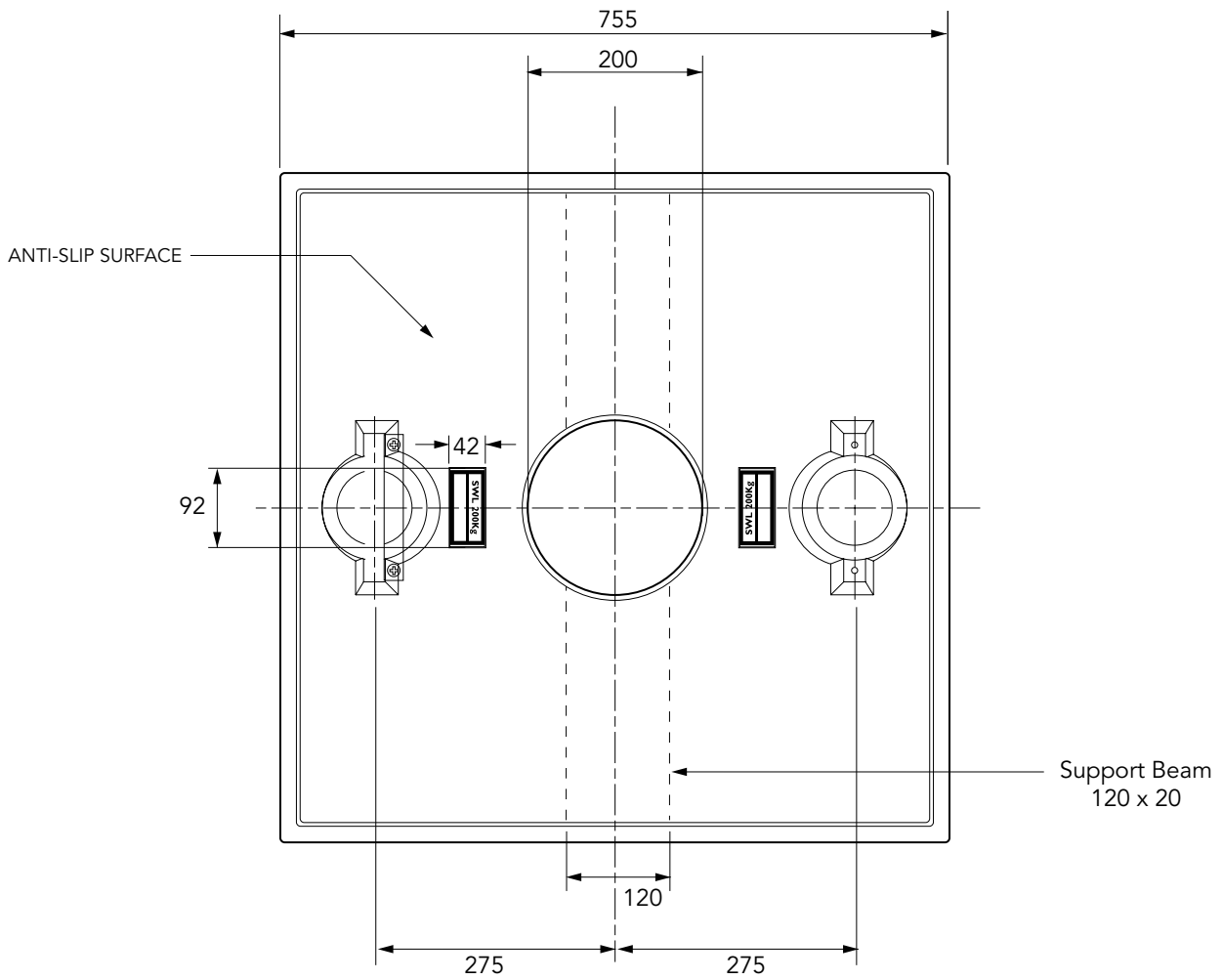
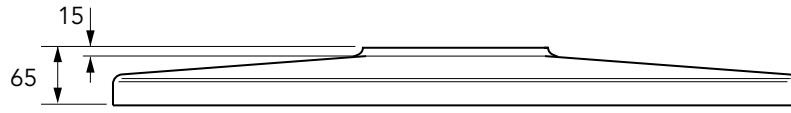


Solid structural platform with moulded central hole (20cm) for direct fill or manual dip applications. Fits all square chamber systems with a FL76 cover. Anti-slip surface.

For reference purposes only. This drawing is not a specification. Order against product code only. To enable continuous improvement of our products, the designs and specifications are subject to change without notice.

**FIBRELITE**   
PART OF OPW A DOVER COMPANY



Solid structural platform with moulded central hole (20cm) for direct fill or manual dip applications. Fits all square chamber systems with a FL76 cover. Anti-slip surface.

For reference purposes only. This drawing is not a specification. Order against product code only. To enable continuous improvement of our products, the designs and specifications are subject to change without notice.

**FIBRELITE**   
PART OF OPW A DOVER COMPANY