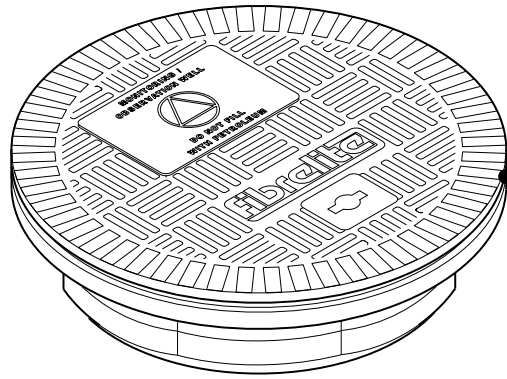


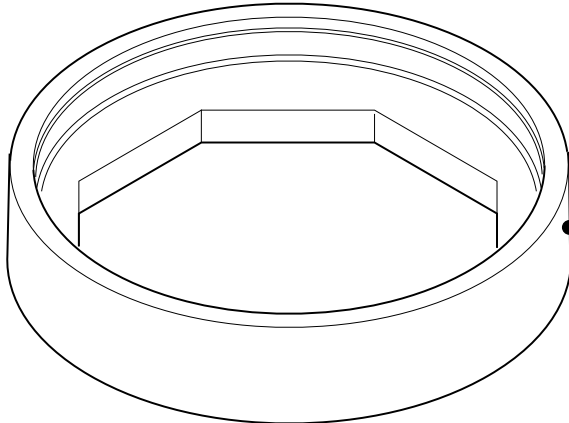
Monitoring Well System. 300mm dia. solid base sump with a 300mm dia. grey flat sealed monitoring well cover with a black ID warning and frame.

For reference purposes only. This drawing is not a specification. Order against product code only. To enable continuous improvement of our products, the designs and specifications are subject to change without notice.

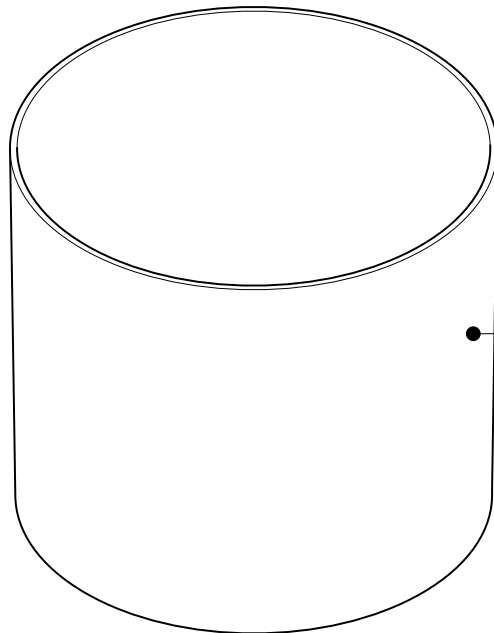
FIBRELITE 
PART OF OPW A DOVER COMPANY



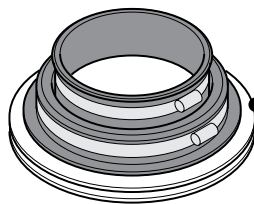
FL120 COVER



FL120 FRAME



S0 SOLID BASE SUMP



PSB/110
110mm DIA. PIPE SEALKIT

Monitoring Well System. 300mm dia. solid base sump with a 300mm dia. grey flat sealed monitoring well cover with a black ID warning and frame.

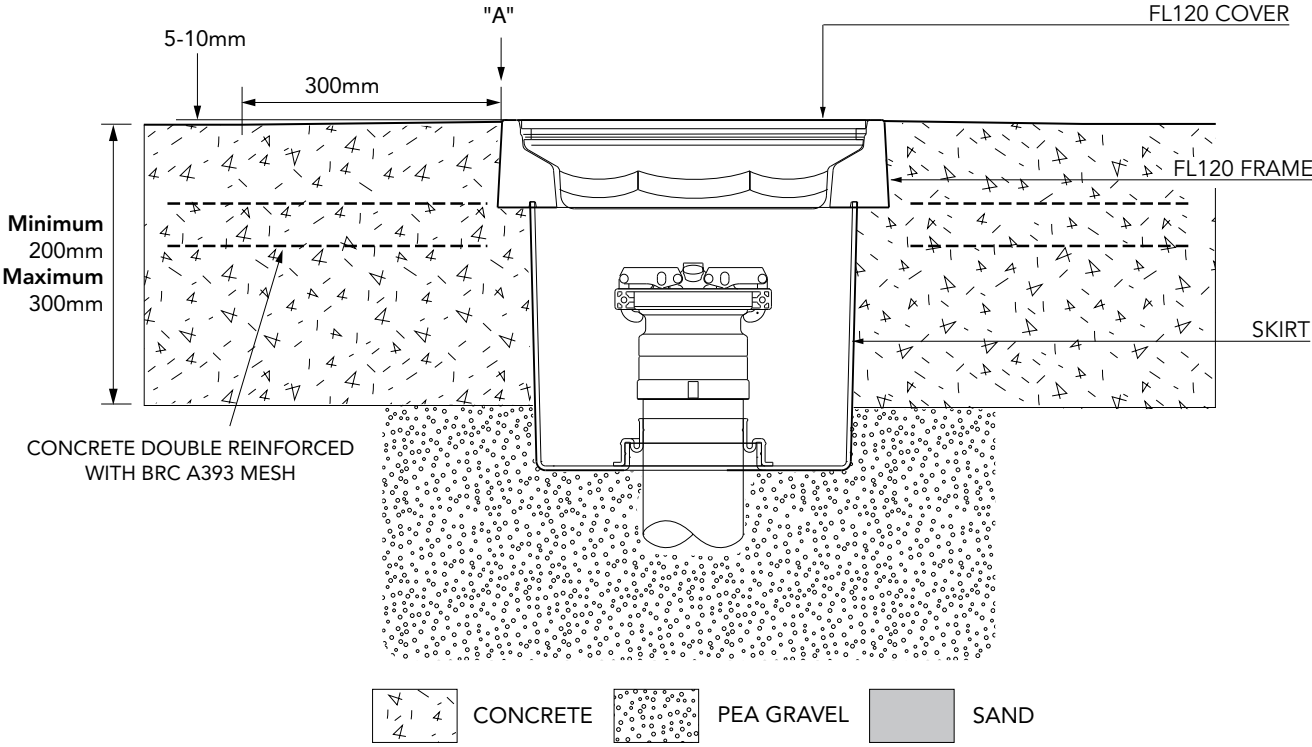
For reference purposes only. This drawing is not a specification. Order against product code only. To enable continuous improvement of our products, the designs and specifications are subject to change without notice.



VERY IMPORTANT
 SET OUTER EDGE 'A' OF
 FRAME 5-10MM ABOVE GENERAL
 FORECOURT AREA RAMPED
 AWAY OVER 300MM.

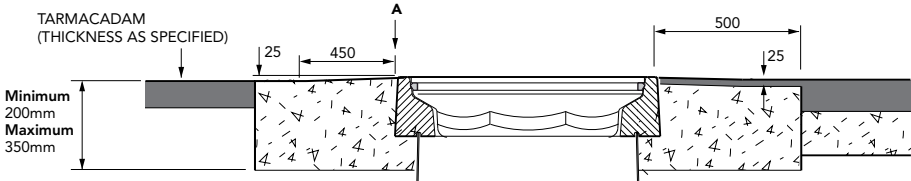
TYPICAL INSTALLATION

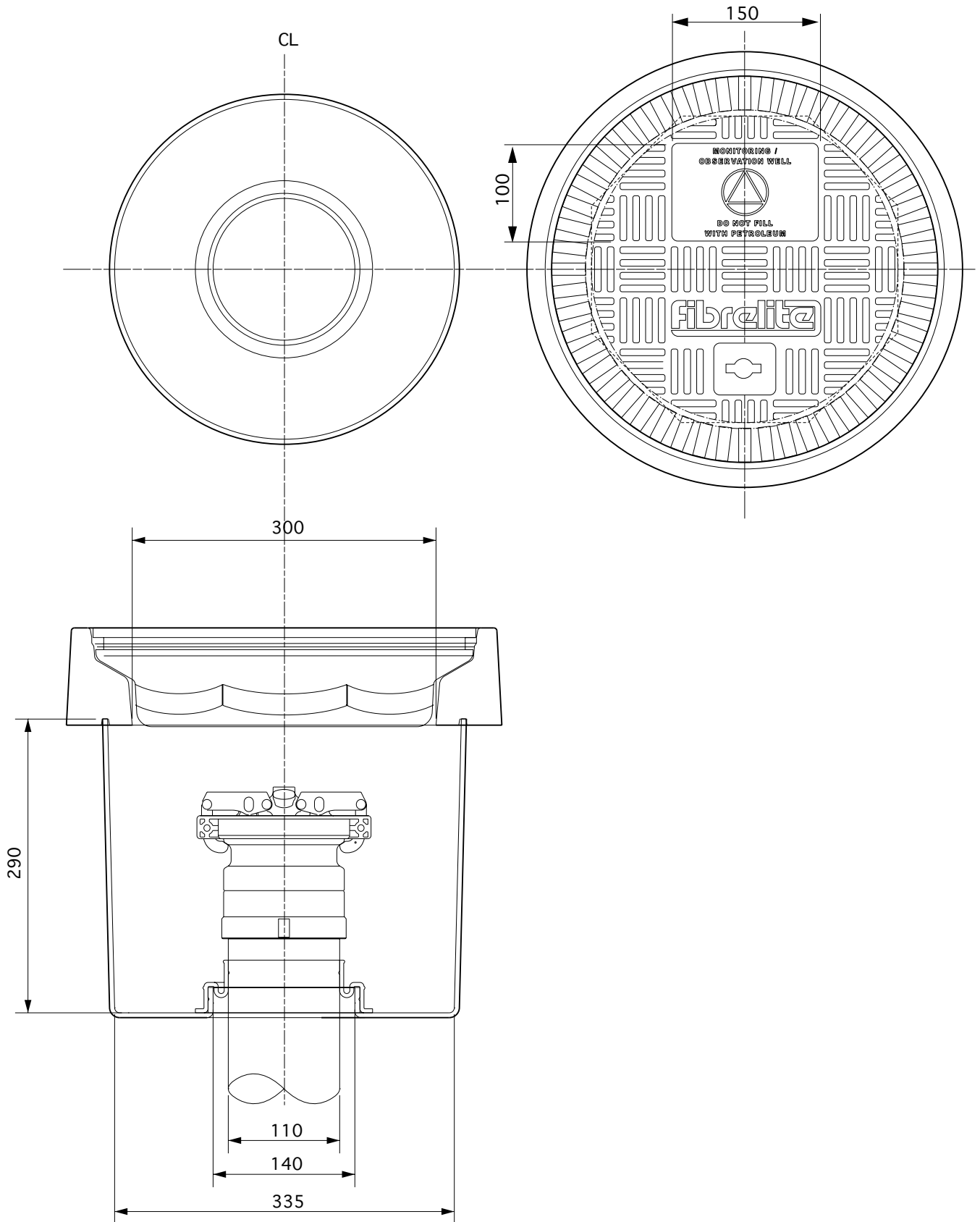
CONCRETE



ALTERNATIVE INSTALLATION ADVICE

TARMACADAM





Monitoring Well System. 300mm dia. solid base sump with a 300mm dia. grey flat sealed monitoring well cover with a black ID warning and frame.

For reference purposes only. This drawing is not a specification. Order against product code only. To enable continuous improvement of our products, the designs and specifications are subject to change without notice.

FIBRELITE 
 PART OF OPW A DOVER COMPANY