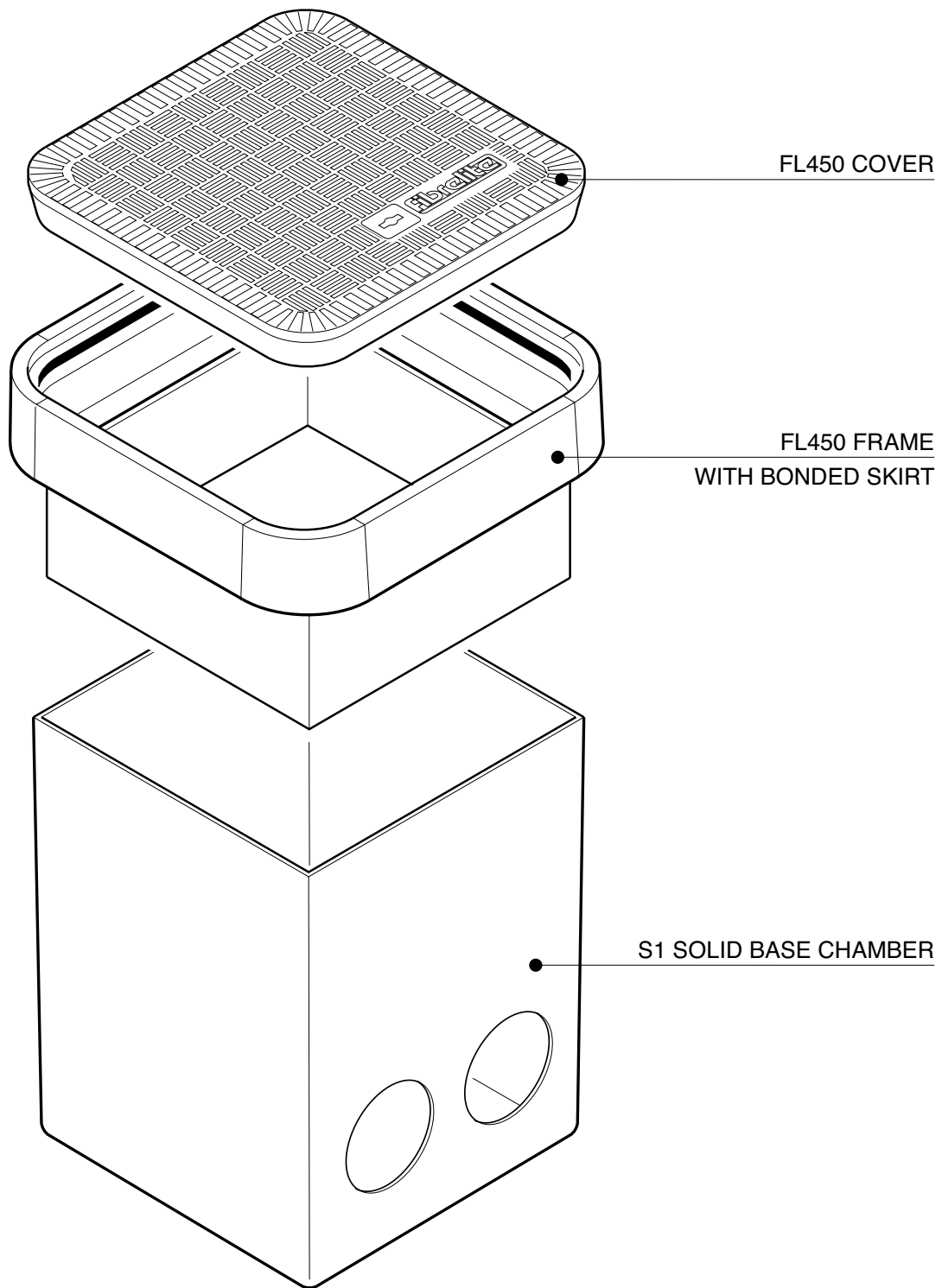


Electrical Drawpit 450mm square x 600mm GRP base chamber with a 210mm deep skirt and square 450mm flat sealed cover.

For reference purposes only. This drawing is not a specification. Order against product code only. To enable continuous improvement of our products, the designs and specifications are subject to change without notice.

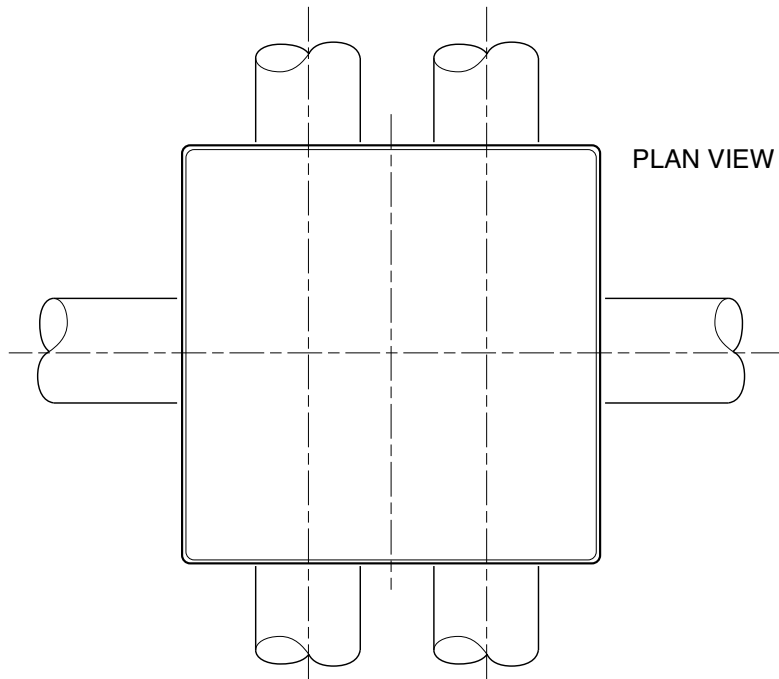
FIBRELITE 
PART OF OPW A DOVER COMPANY



Electrical Drawpit 450mm square x 600mm GRP base chamber with a 210mm deep skirt and square 450mm flat sealed cover.

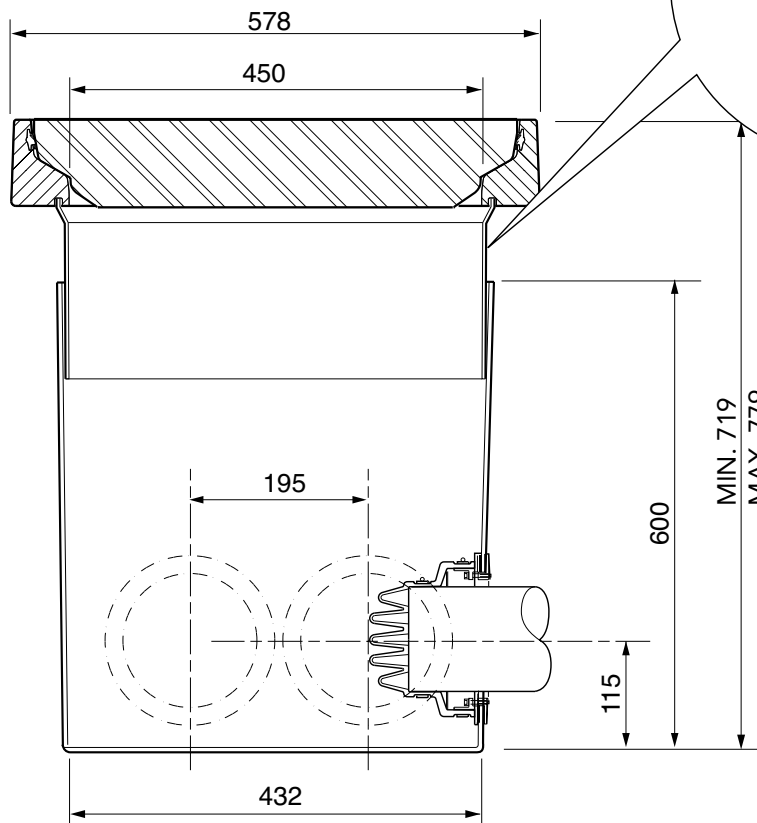
For reference purposes only. This drawing is not a specification. Order against product code only. To enable continuous improvement of our products, the designs and specifications are subject to change without notice.

FIBRELITE 
PART OF OPW A DOVER COMPANY



PLAN VIEW

MAX. 100mm Ducts
 Single bank of 2 ducts
 in opposing sides and
 single bank of 1 duct
 in adjacent sides



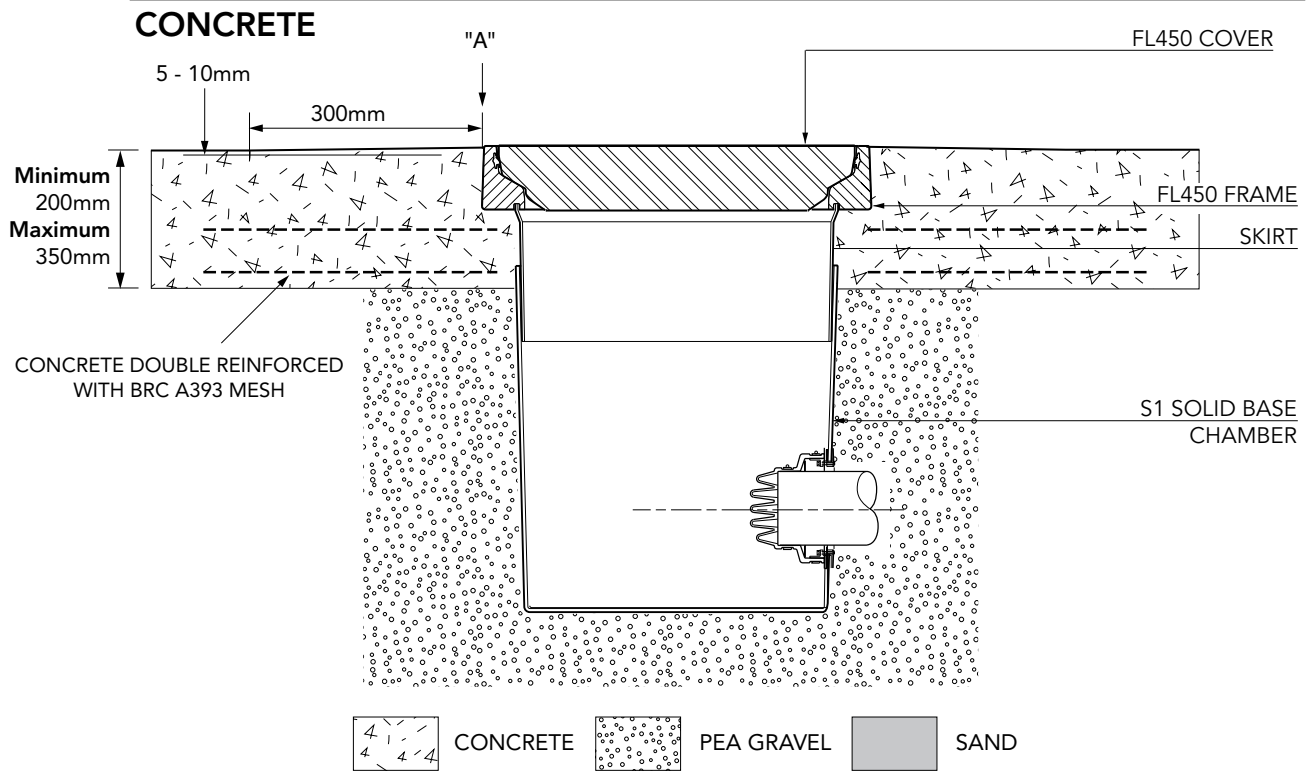
Electrical Drawpit 450mm square x 600mm GRP base chamber with a 210mm deep skirt and square 450mm flat sealed cover.

For reference purposes only. This drawing is not a specification. Order against product code only. To enable continuous improvement of our products, the designs and specifications are subject to change without notice.

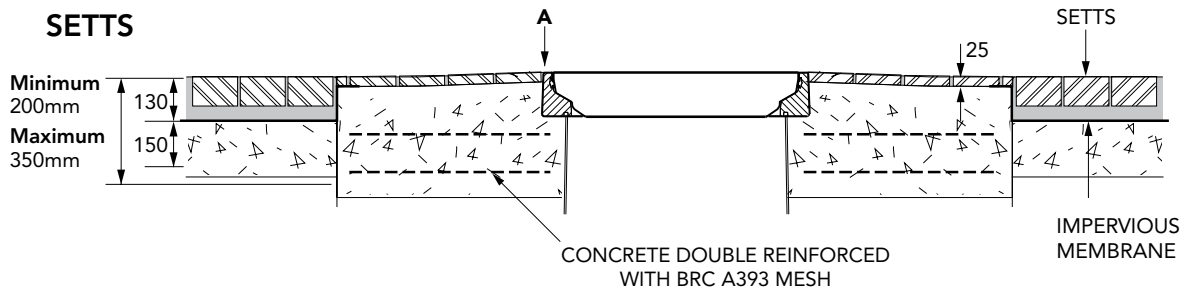


VERY IMPORTANT
 OUTER EDGE "A" OF FRAME
 SET 5 - 10MM ABOVE GENERAL
 FORECOURT AREA WITH
 CONCRETE RAMPED AWAY
 OVER 300MM

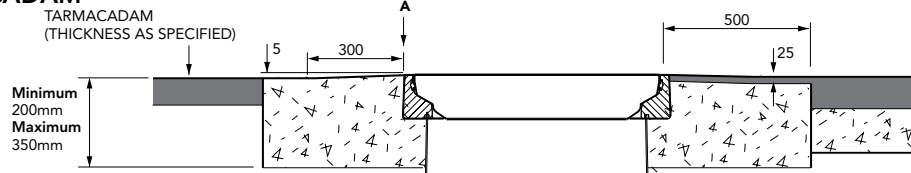
TYPICAL INSTALLATION



ALTERNATIVE INSTALLATION ADVICE



TARMACADAM



Electrical Drawpit 450mm square x 600mm GRP base chamber with a 210mm deep skirt and square 450mm flat sealed cover.

For reference purposes only. This drawing is not a specification. Order against product code only. To enable continuous improvement of our products, the designs and specifications are subject to change without notice.

FIBRELITE

PART OF OPW A DOVER COMPANY