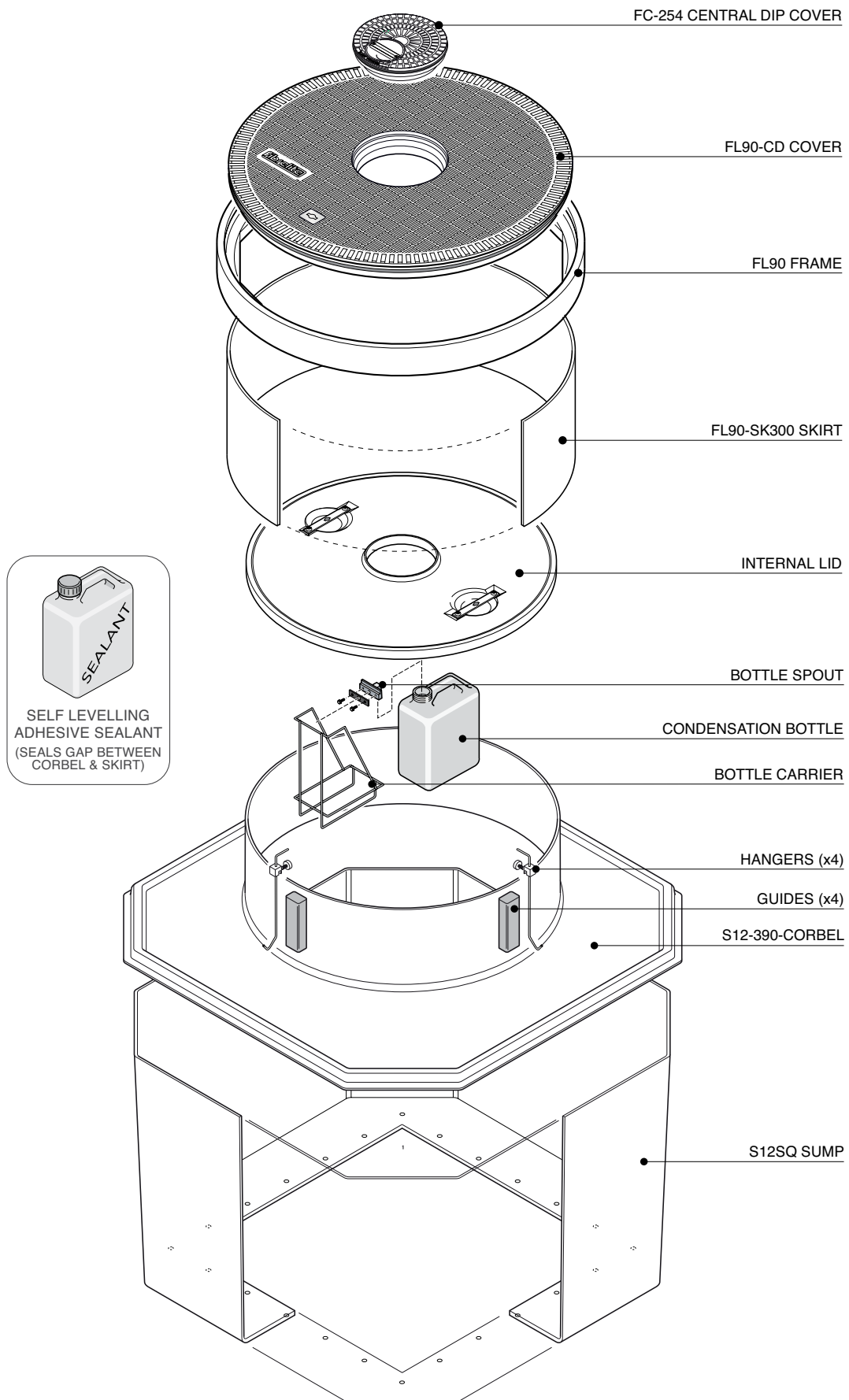


1.2m eight sided chamber with a round bolted base, corbel, adjustable height skirt, internal lid, 900mm dia. watertight flat sealed cover, central port cover and frame.

For reference purposes only. This drawing is not a specification. Order against product code only. To enable continuous improvement of our products, the designs and specifications are subject to change without notice.

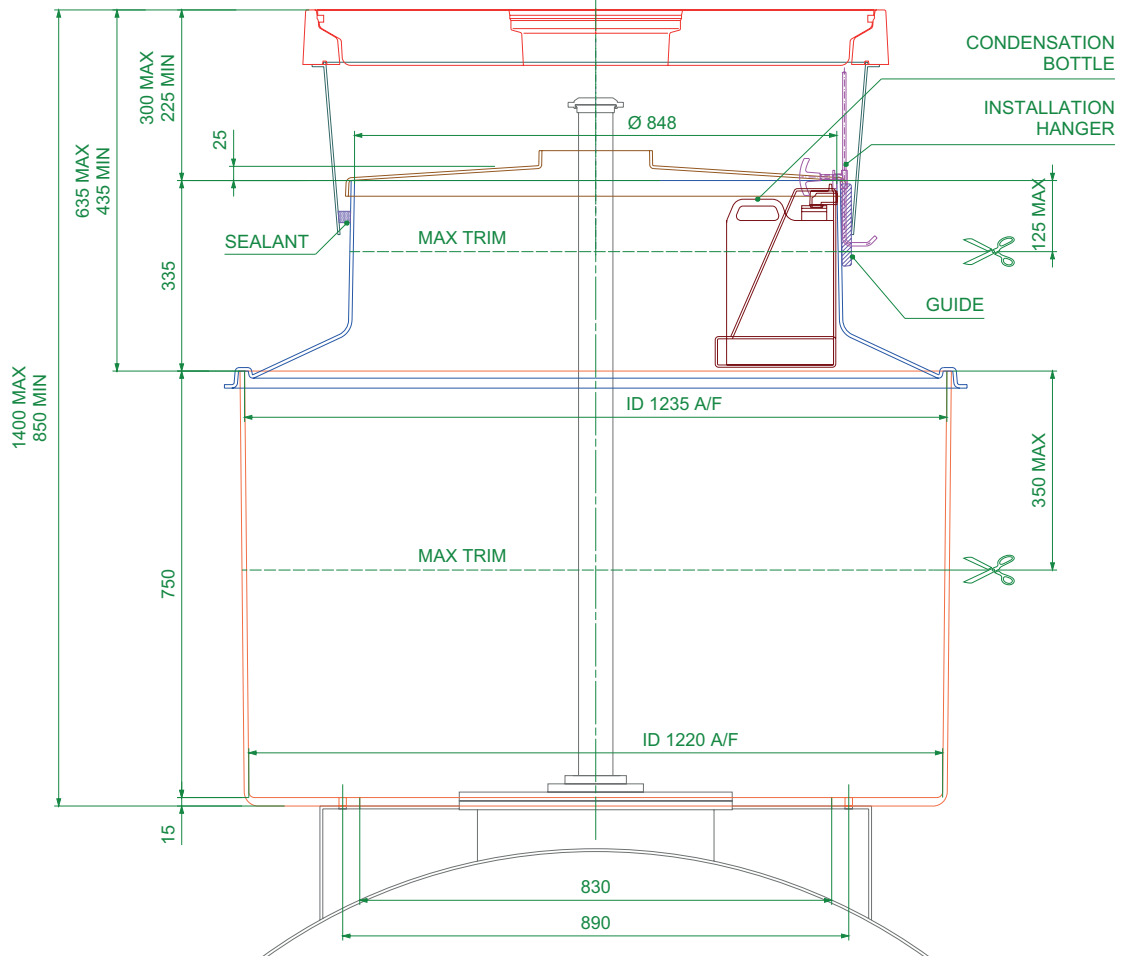
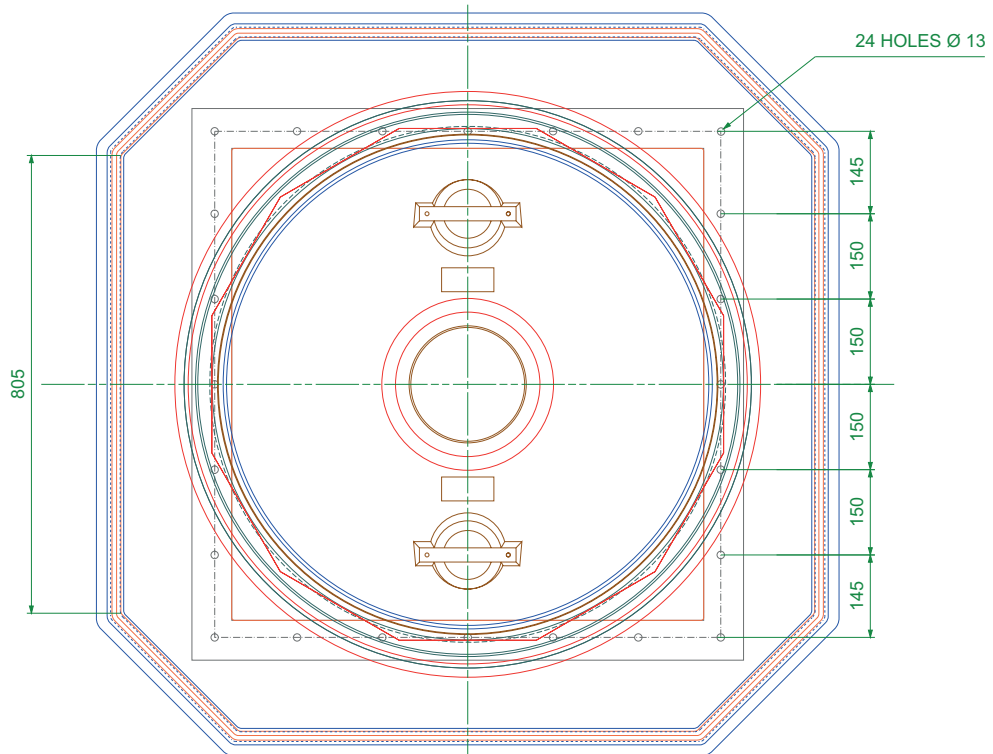
FIBRELITE 
PART OF OPW A DOVER COMPANY



1.2m eight sided chamber with a round bolted base, corbel, adjustable height skirt, internal lid, 900mm dia. watertight flat sealed cover, central port cover and frame.

For reference purposes only. This drawing is not a specification. Order against product code only. To enable continuous improvement of our products, the designs and specifications are subject to change without notice.

FIBRELITE 
PART OF OPW A DOWER COMPANY



1.2m eight sided chamber with a round bolted base, corbel, adjustable height skirt, internal lid, 900mm dia. watertight flat sealed cover, central port cover and frame.

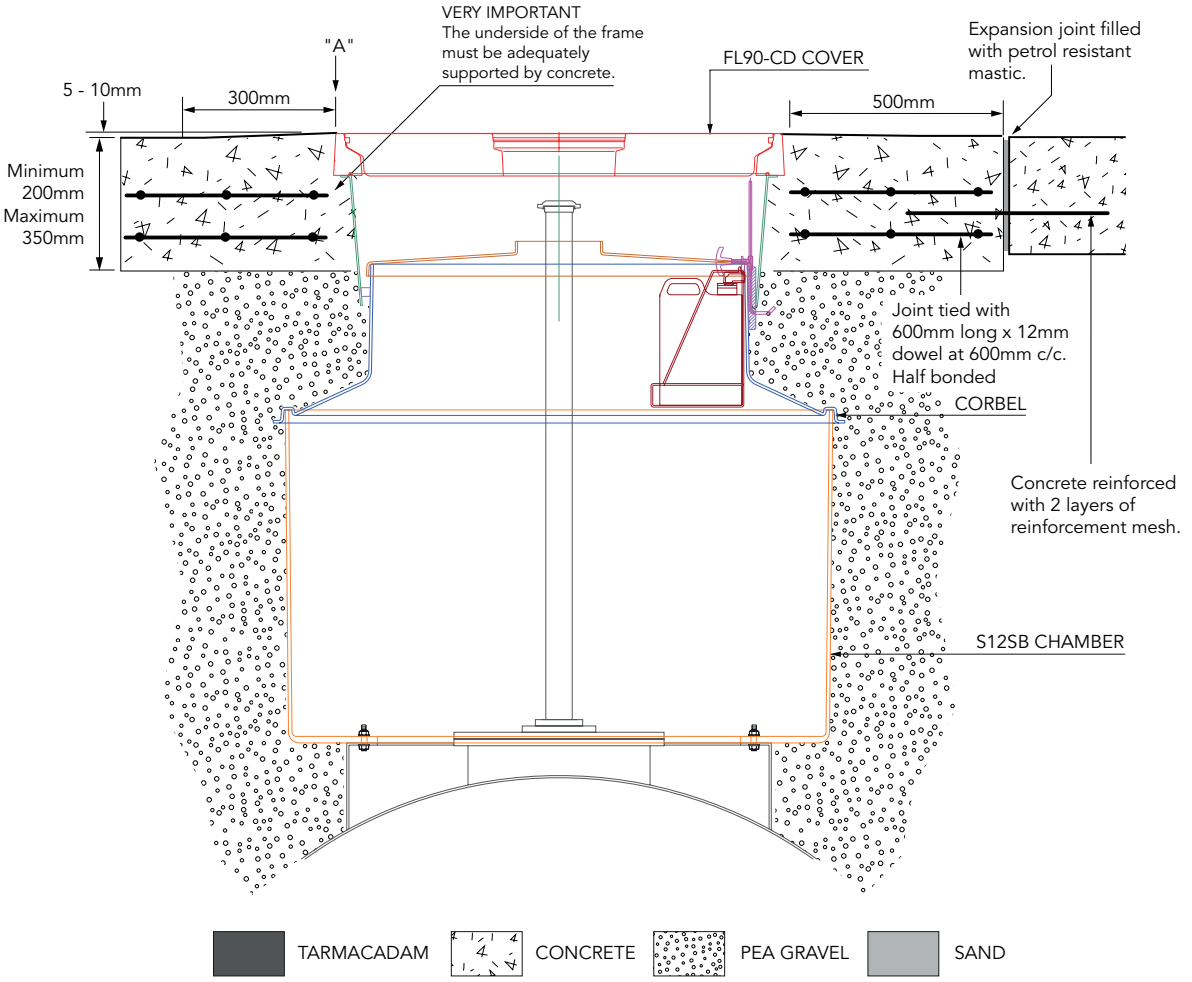
For reference purposes only. This drawing is not a specification. Order against product code only. To enable continuous improvement of our products, the designs and specifications are subject to change without notice.



VERY IMPORTANT
 OUTER EDGE "A" OF FRAME SET 5 - 10MM
 ABOVE GENERAL FORECOURT AREA WITH
 CONCRETE RAMPED AWAY OVER 300MM.

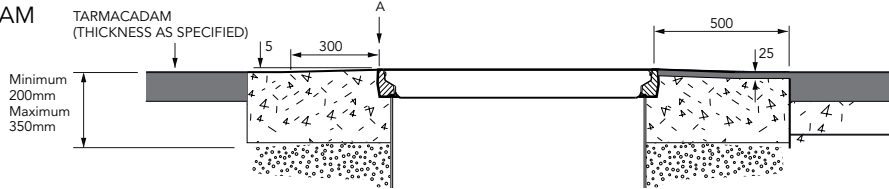
TYPICAL INSTALLATION

CONCRETE

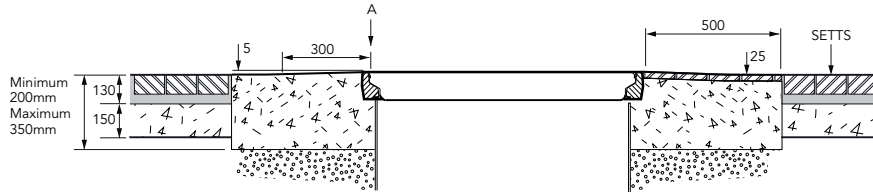


ALTERNATIVE INSTALLATION ADVICE

TARMACADAM



SETTS



1.2m eight sided chamber with a round bolted base, corbel, adjustable height skirt, internal lid, 900mm dia. watertight flat sealed cover, central port cover and frame.

For reference purposes only. This drawing is not a specification. Order against product code only. To enable continuous improvement of our products, the designs and specifications are subject to change without notice.

FIBRELITE

PART OF OPW A DOVER COMPANY