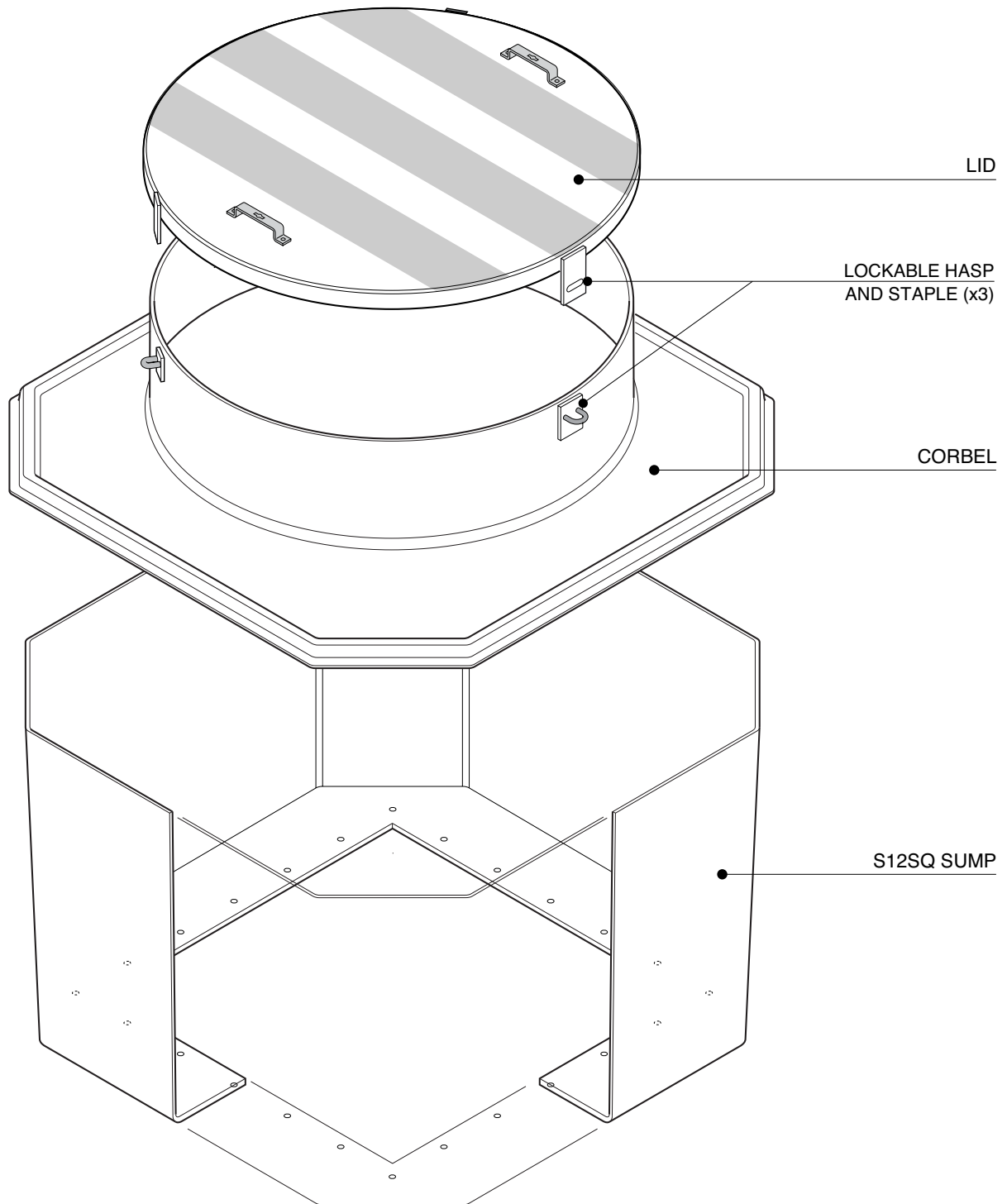


1.2m eight sided chamber with a square bolted base, corbel and lockable lid. For green area applications.

For reference purposes only. This drawing is not a specification. Order against product code only. To enable continuous improvement of our products, the designs and specifications are subject to change without notice.

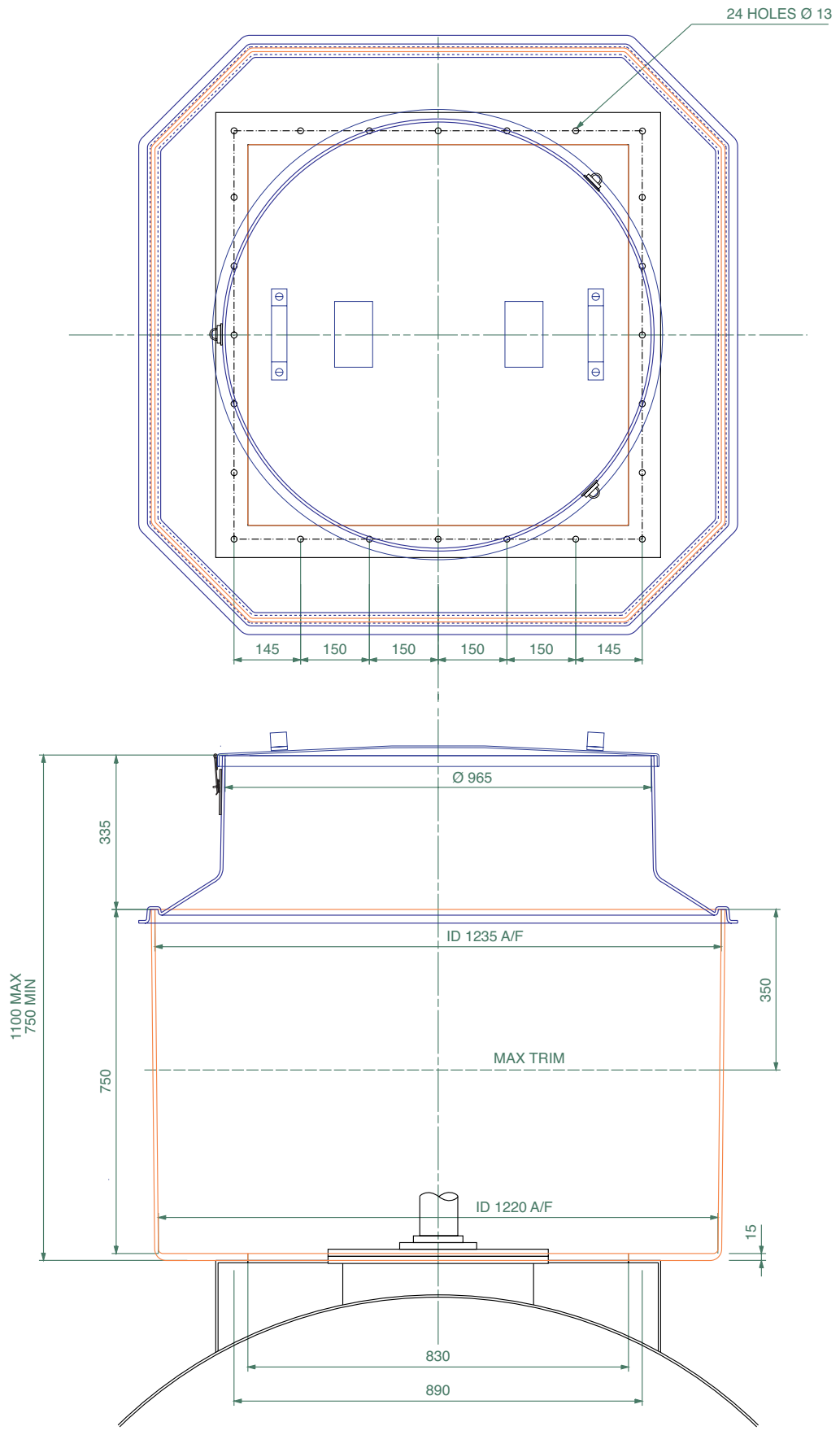
FIBRELITE 
PART OF OPW A DOVER COMPANY



1.2m eight sided chamber with a square bolted base, corbel and lockable lid. For green area applications.

For reference purposes only. This drawing is not a specification. Order against product code only. To enable continuous improvement of our products, the designs and specifications are subject to change without notice.

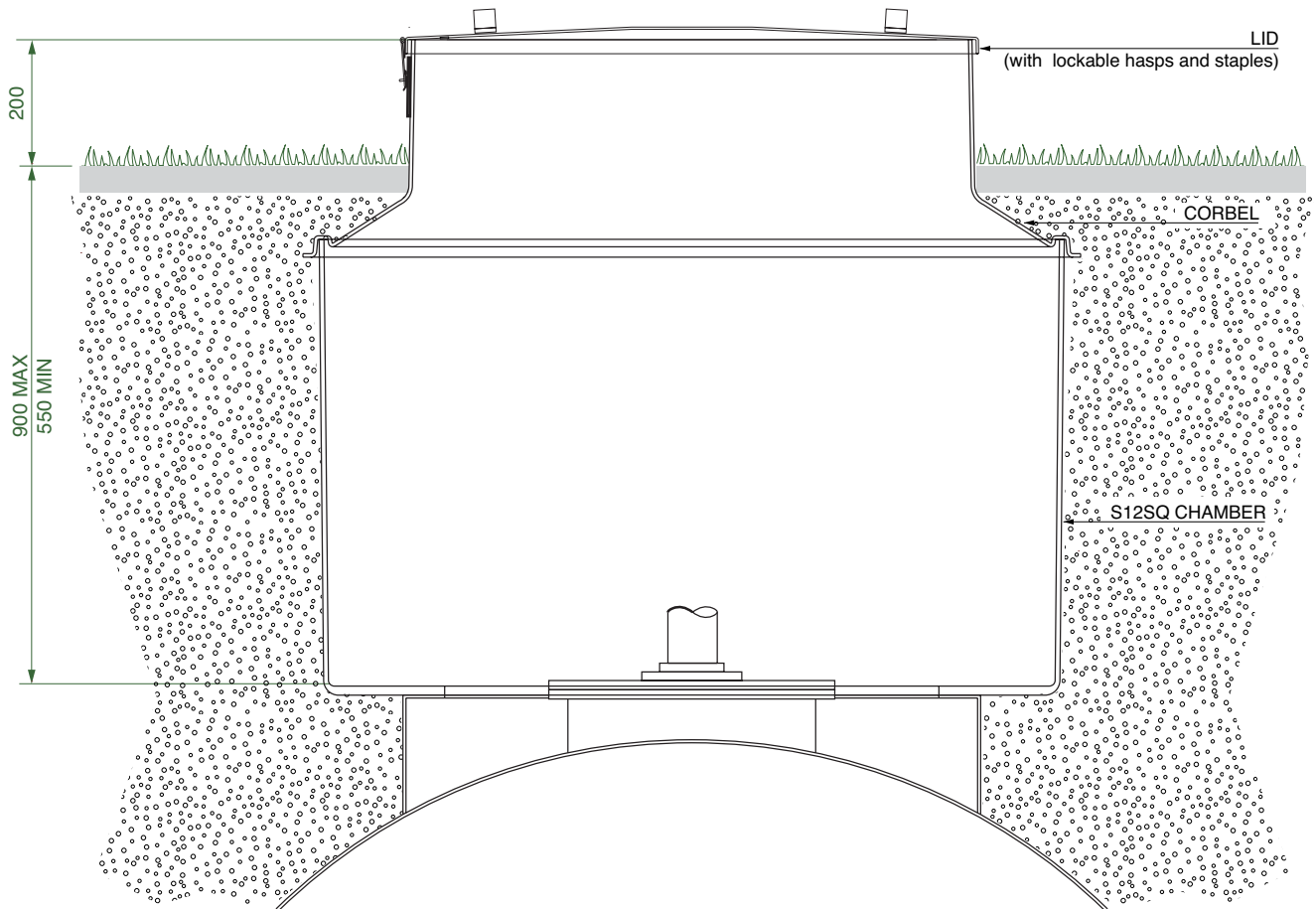
FIBRELITE 
PART OF OPW A DOVER COMPANY



1.2m eight sided chamber with a square bolted base, corbel and lockable lid. For green area applications.

For reference purposes only. This drawing is not a specification. Order against product code only. To enable continuous improvement of our products, the designs and specifications are subject to change without notice.





SOIL
 PEA GRAVEL

1.2m eight sided chamber with a square bolted base, corbel and lockable lid. For green area applications.

For reference purposes only. This drawing is not a specification. Order against product code only. To enable continuous improvement of our products, the designs and specifications are subject to change without notice.

FIBRELITE

PART OF OPW A DOWER COMPANY