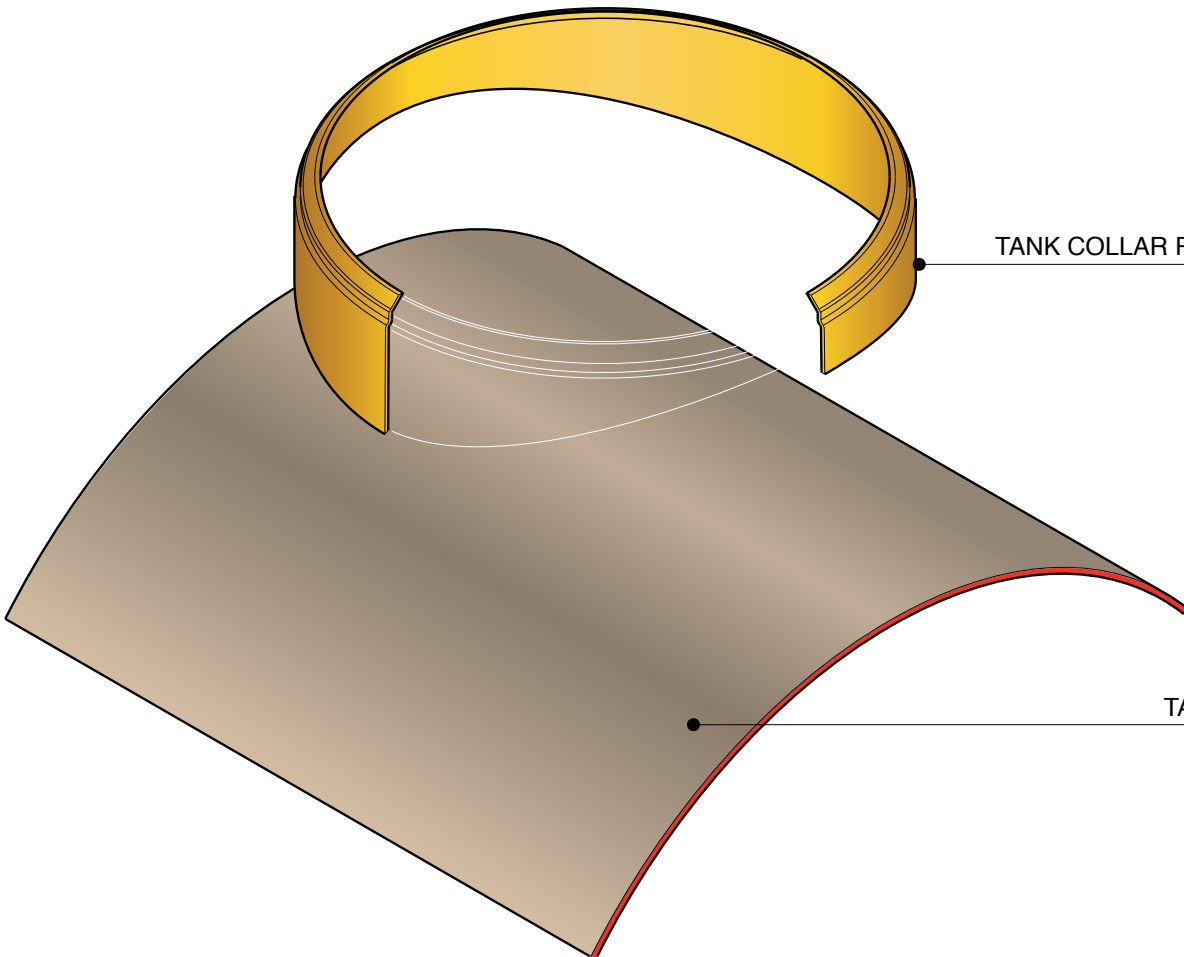


SUMP



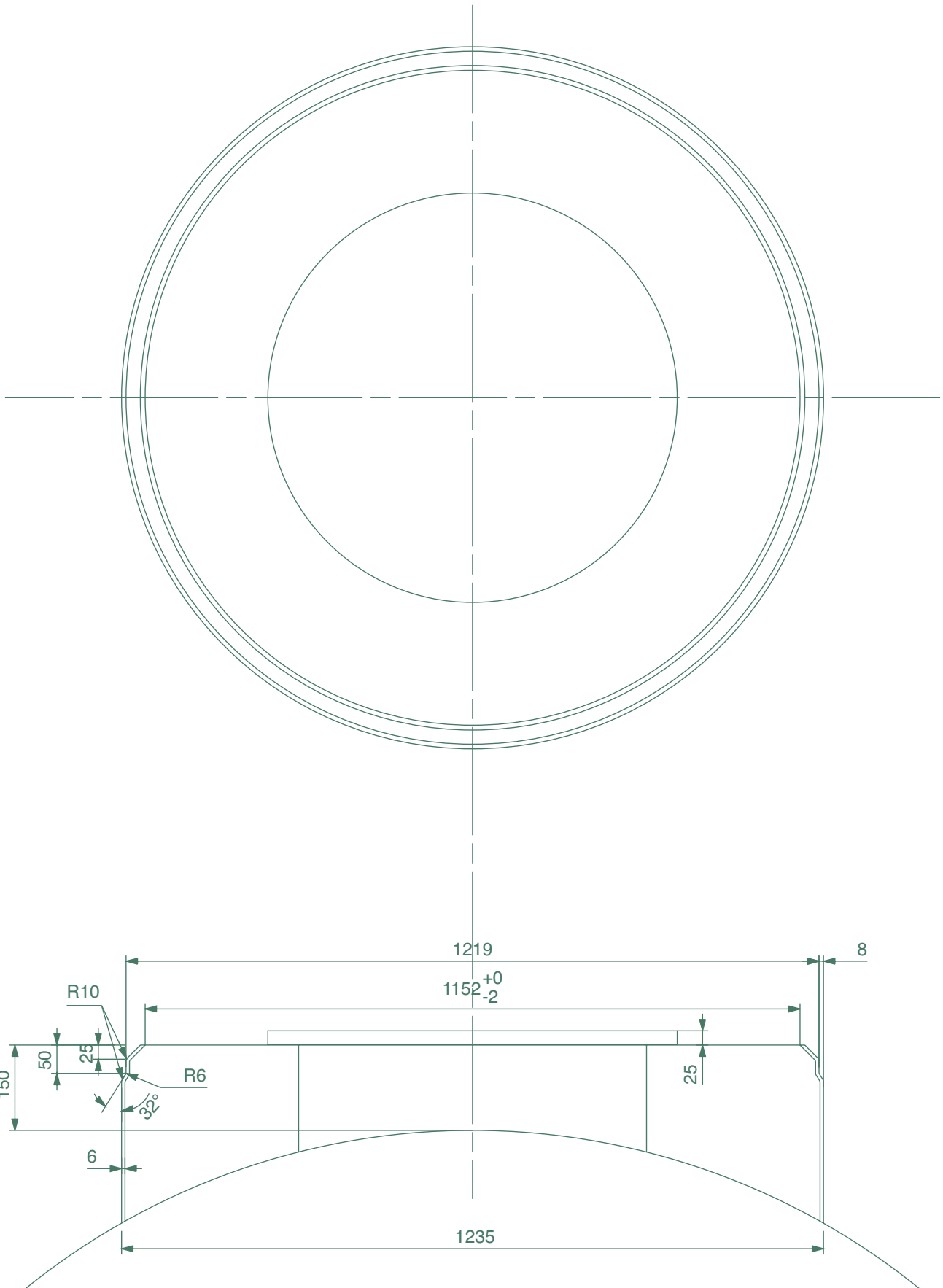
TANK COLLAR RING

TANK

Tank collar to fit S14CR collar ring chamber/sump.

For reference purposes only. This drawing is not a specification. Order against product code only. To enable continuous improvement of our products, the designs and specifications are subject to change without notice.

FIBRELITE 
PART OF OPW A  COMPANY



Tank collar to fit S14CR collar ring chamber/sump.

For reference purposes only. This drawing is not a specification. Order against product code only. To enable continuous improvement of our products, the designs and specifications are subject to change without notice.

