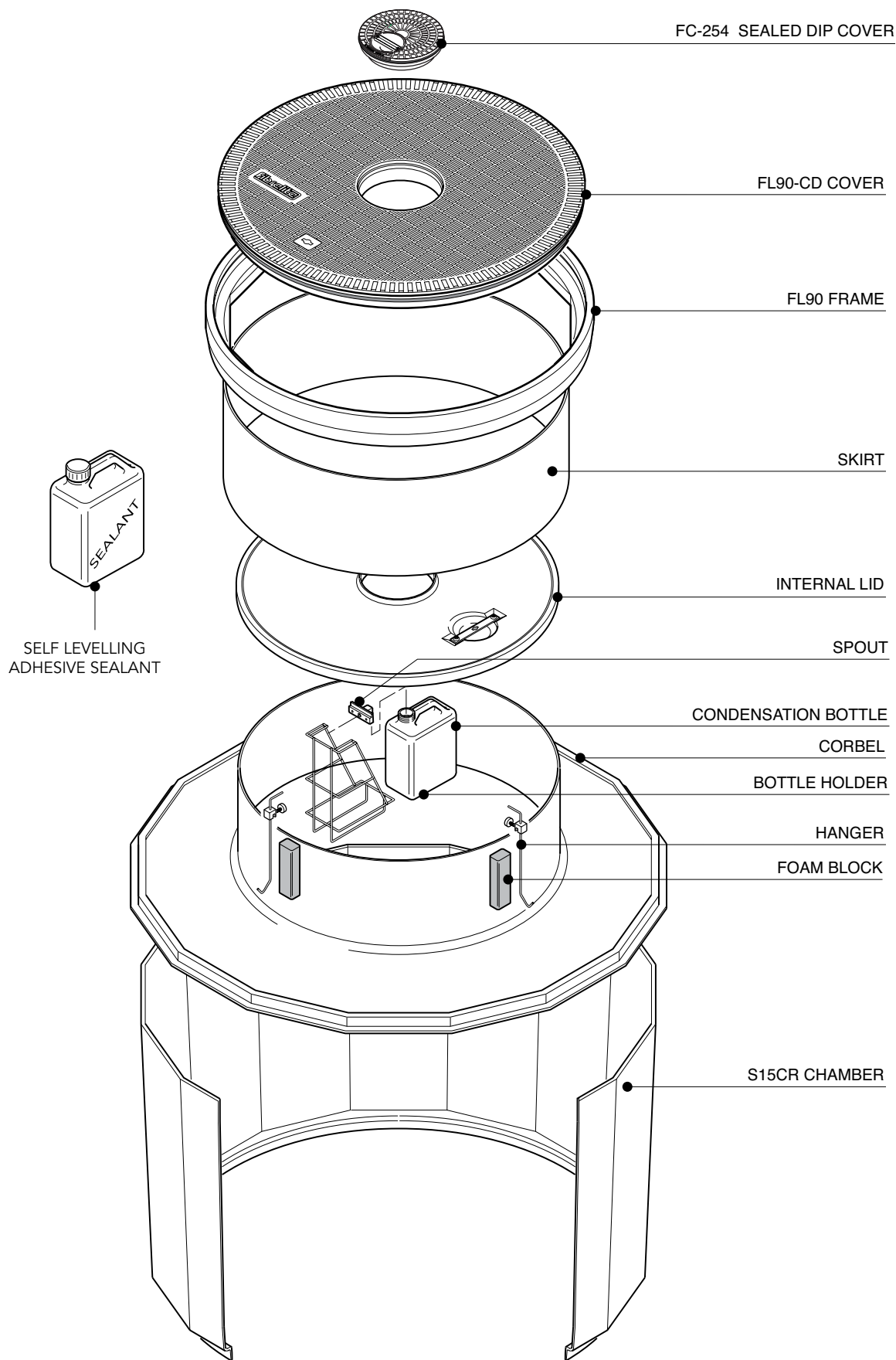


1.45m diameter sump with collar ring base, corbel, internal lid, adjustable height skirt and round 900mm flat sealed cover with central manual dip cover and frame.

For reference purposes only. This drawing is not a specification. Order against product code only. To enable continuous improvement of our products, the designs and specifications are subject to change without notice.

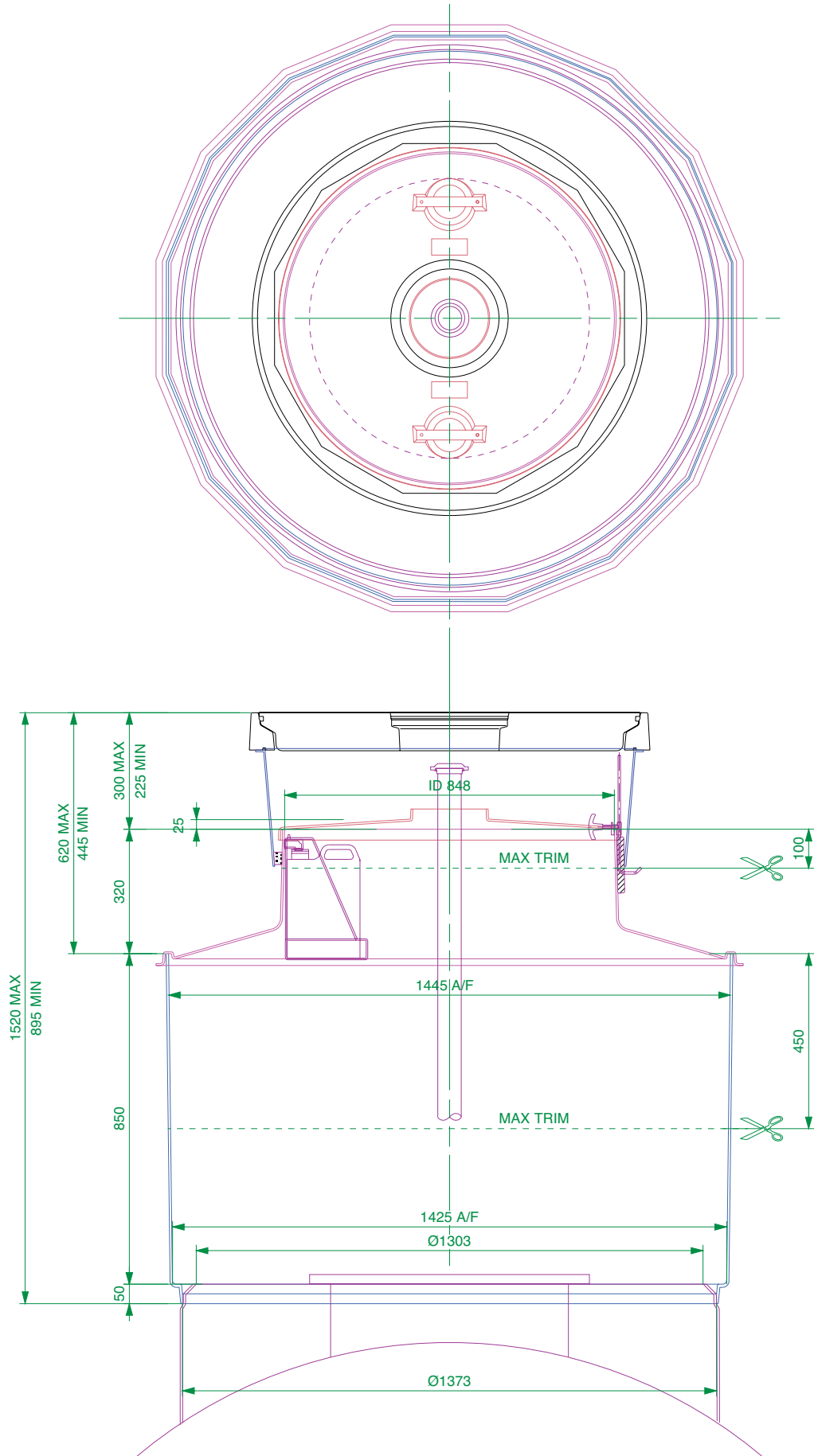
**FIBRELITE**   
PART OF OPW A DOVER COMPANY



1.45m diameter sump with collar ring base, corbel, internal lid, adjustable height skirt and round 900mm flat sealed cover with central manual dip cover and frame.

For reference purposes only. This drawing is not a specification. Order against product code only. To enable continuous improvement of our products, the designs and specifications are subject to change without notice.

**FIBRELITE**   
 PART OF OPW A DOWDER COMPANY



1.45m diameter sump with collar ring base, corbel, internal lid, adjustable height skirt and round 900mm flat sealed cover with central manual dip cover and frame.

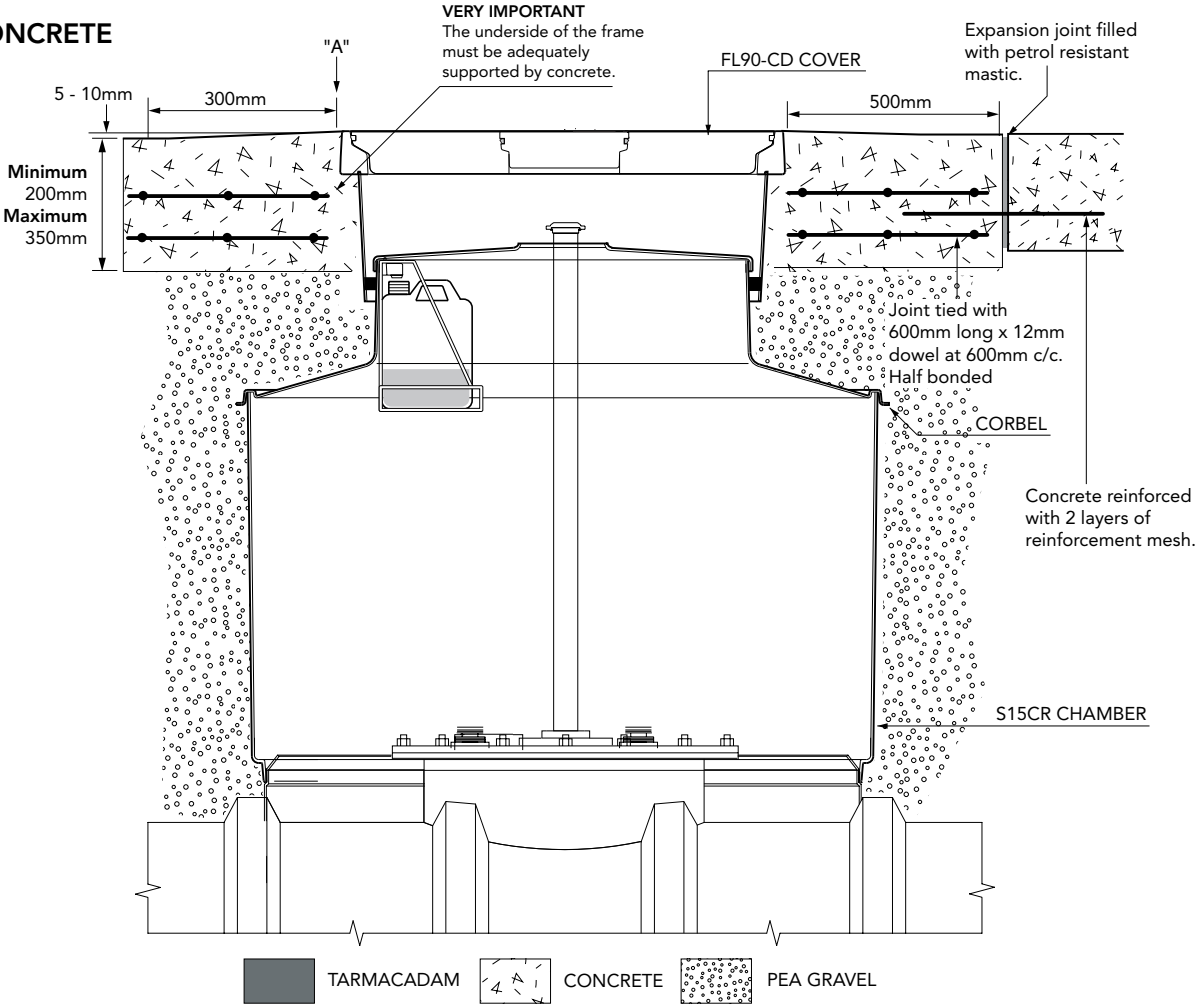
For reference purposes only. This drawing is not a specification. Order against product code only. To enable continuous improvement of our products, the designs and specifications are subject to change without notice.

**FIBRELITE**   
PART OF OPW A DOVER COMPANY

**VERY IMPORTANT**  
 SET OUTER EDGE 'A' OF FRAME 5 - 10MM  
 ABOVE GENERAL FORECOURT AREA  
 RAMPED AWAY OVER 300MM

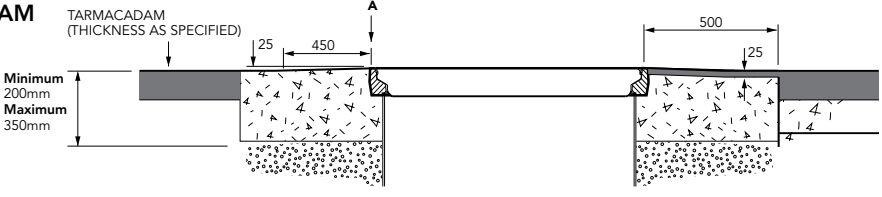
**TYPICAL INSTALLATION**

**CONCRETE**



**ALTERNATIVE INSTALLATION ADVICE**

**TARMACADAM**



1.45m diameter sump with collar ring base, corbel, internal lid, adjustable height skirt and round 900mm flat sealed cover with central manual dip cover and frame.

For reference purposes only. This drawing is not a specification. Order against product code only. To enable continuous improvement of our products, the designs and specifications are subject to change without notice.

