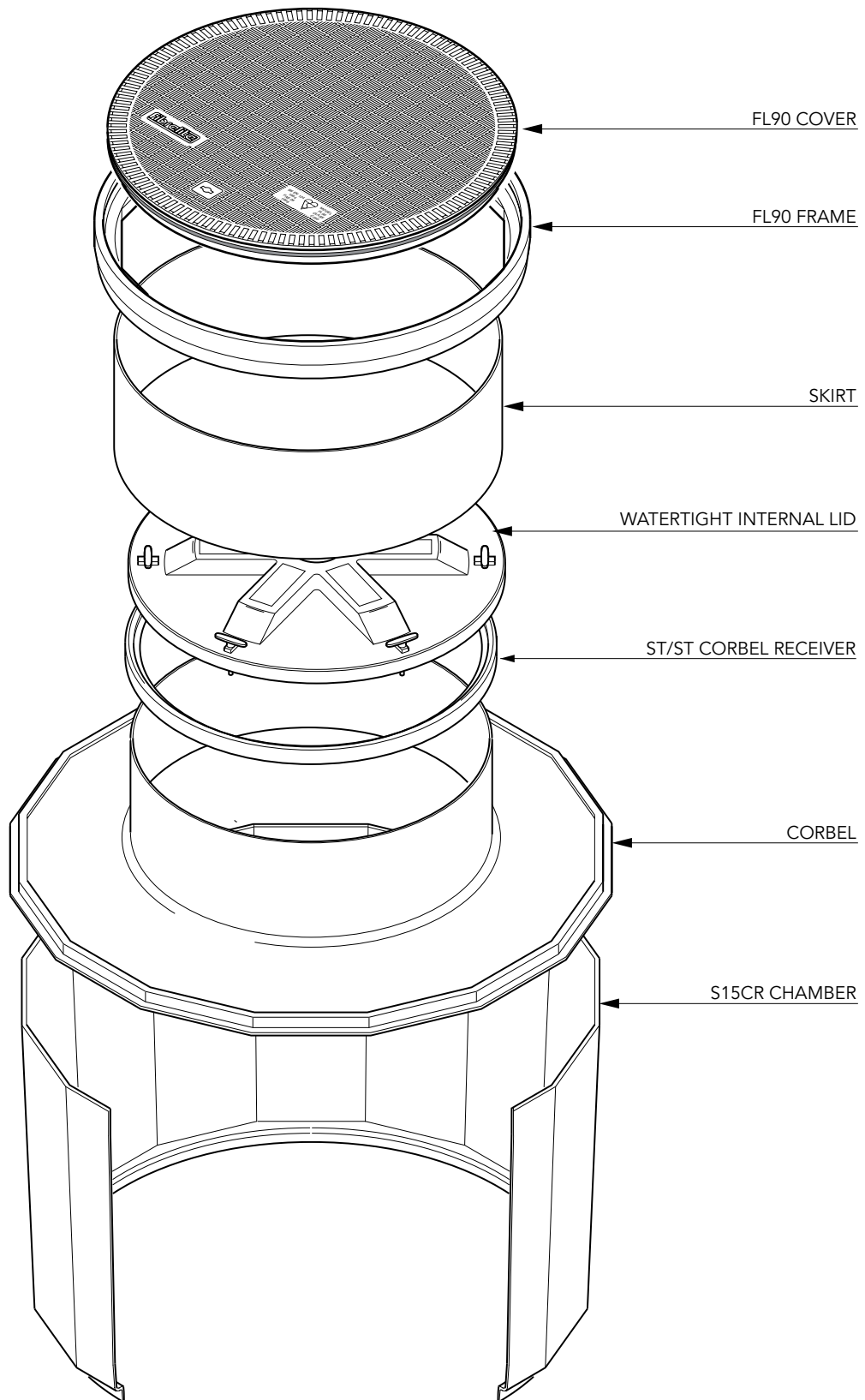


1.45m diameter sump with collar ring, corbel, sealed watertight lid, adjustable height skirt and round 900mm flat sealed cover and frame.

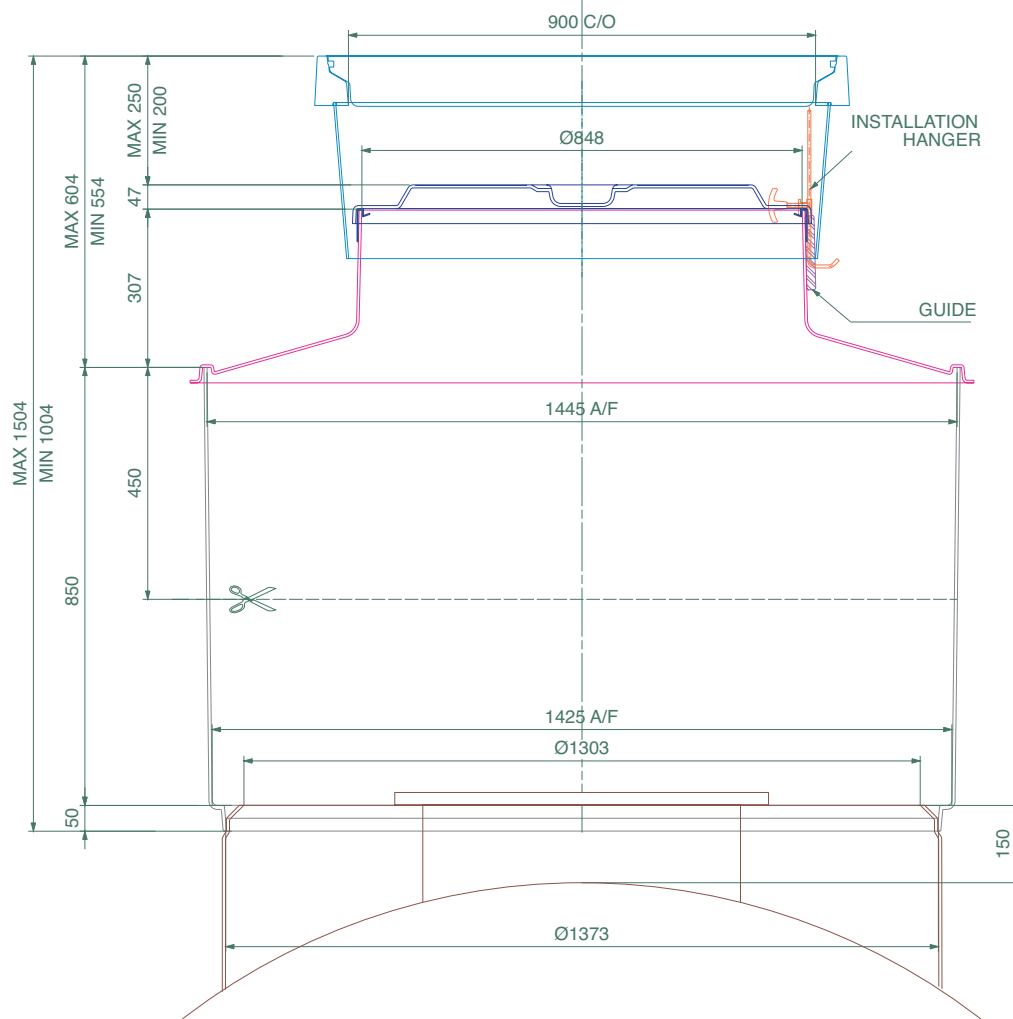
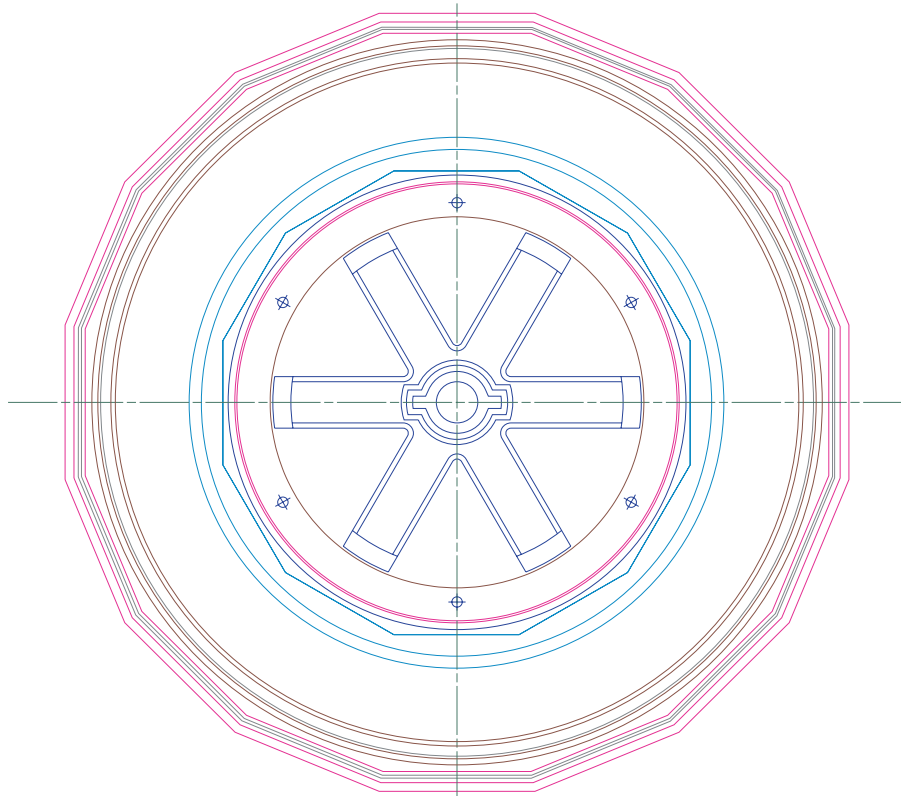
For reference purposes only. This drawing is not a specification. Order against product code only. To enable continuous improvement of our products, the designs and specifications are subject to change without notice.



1.45m diameter sump with collar ring, corbel, sealed watertight lid, adjustable height skirt and round 900mm flat sealed cover and frame.

For reference purposes only. This drawing is not a specification. Order against product code only. To enable continuous improvement of our products, the designs and specifications are subject to change without notice.

**FIBRELITE**   
PART OF OPW A DOWDER COMPANY



1.45m diameter sump with collar ring, corbel, sealed watertight lid, adjustable height skirt and round 900mm flat sealed cover and frame.

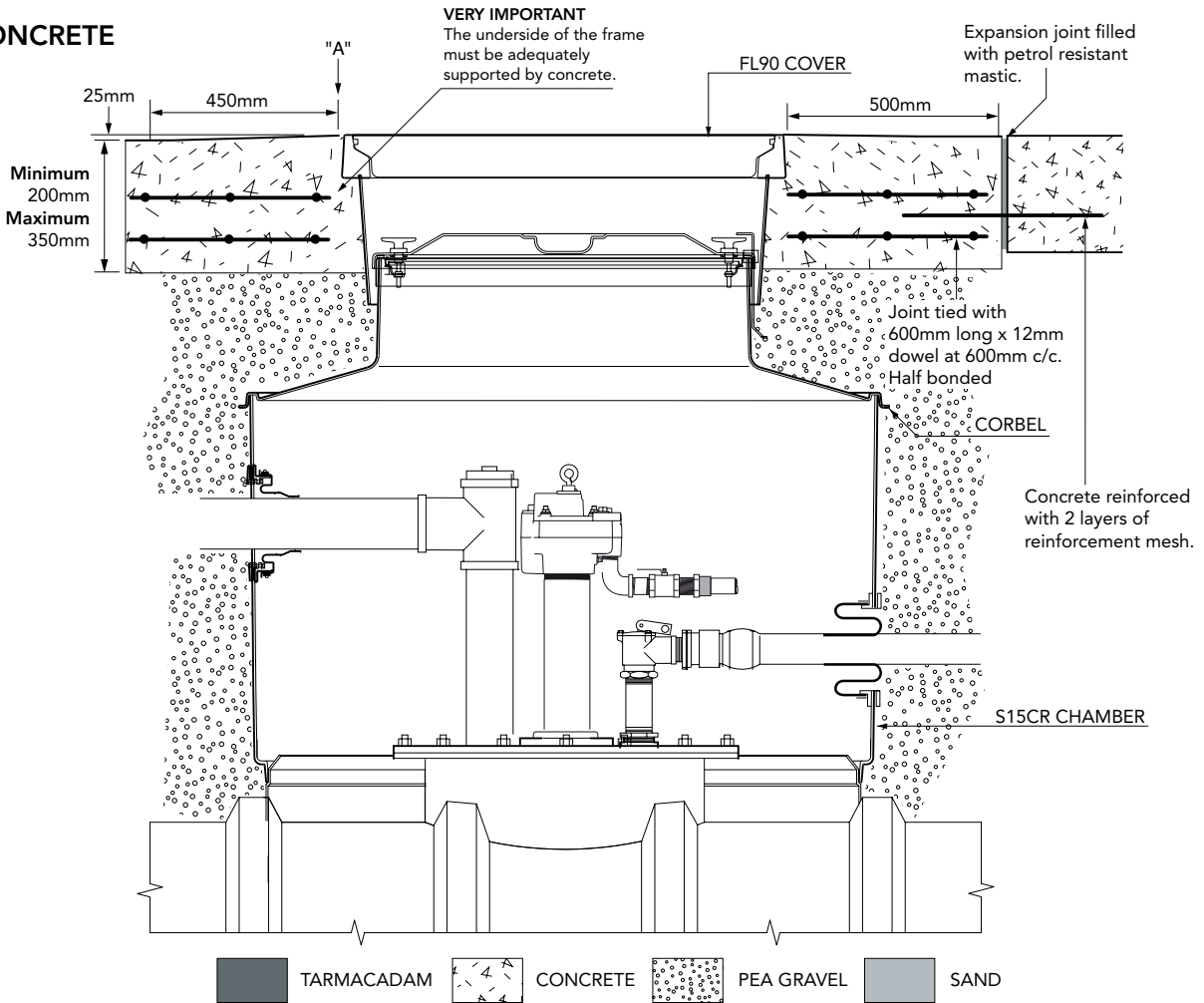
For reference purposes only. This drawing is not a specification. Order against product code only. To enable continuous improvement of our products, the designs and specifications are subject to change without notice.

**FIBRELITE**   
 PART OF OPW A DOWDER COMPANY

**VERY IMPORTANT**  
 SET OUTER EDGE 'A' OF FRAME 25MM  
 ABOVE GENERAL FORECOURT AREA  
 RAMPED AWAY OVER 450MM

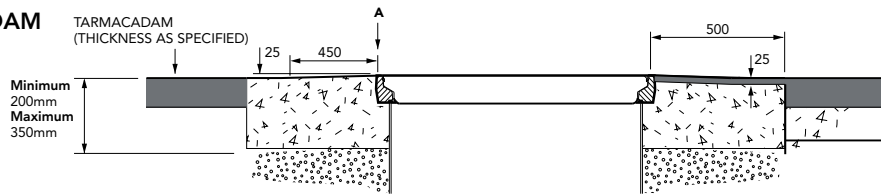
**TYPICAL INSTALLATION**

**CONCRETE**



**ALTERNATIVE INSTALLATION ADVICE**

**TARMACADAM**



1.45m diameter sump with collar ring, corbel, sealed watertight lid, adjustable height skirt and round 900mm flat sealed cover and frame.

For reference purposes only. This drawing is not a specification. Order against product code only. To enable continuous improvement of our products, the designs and specifications are subject to change without notice.

