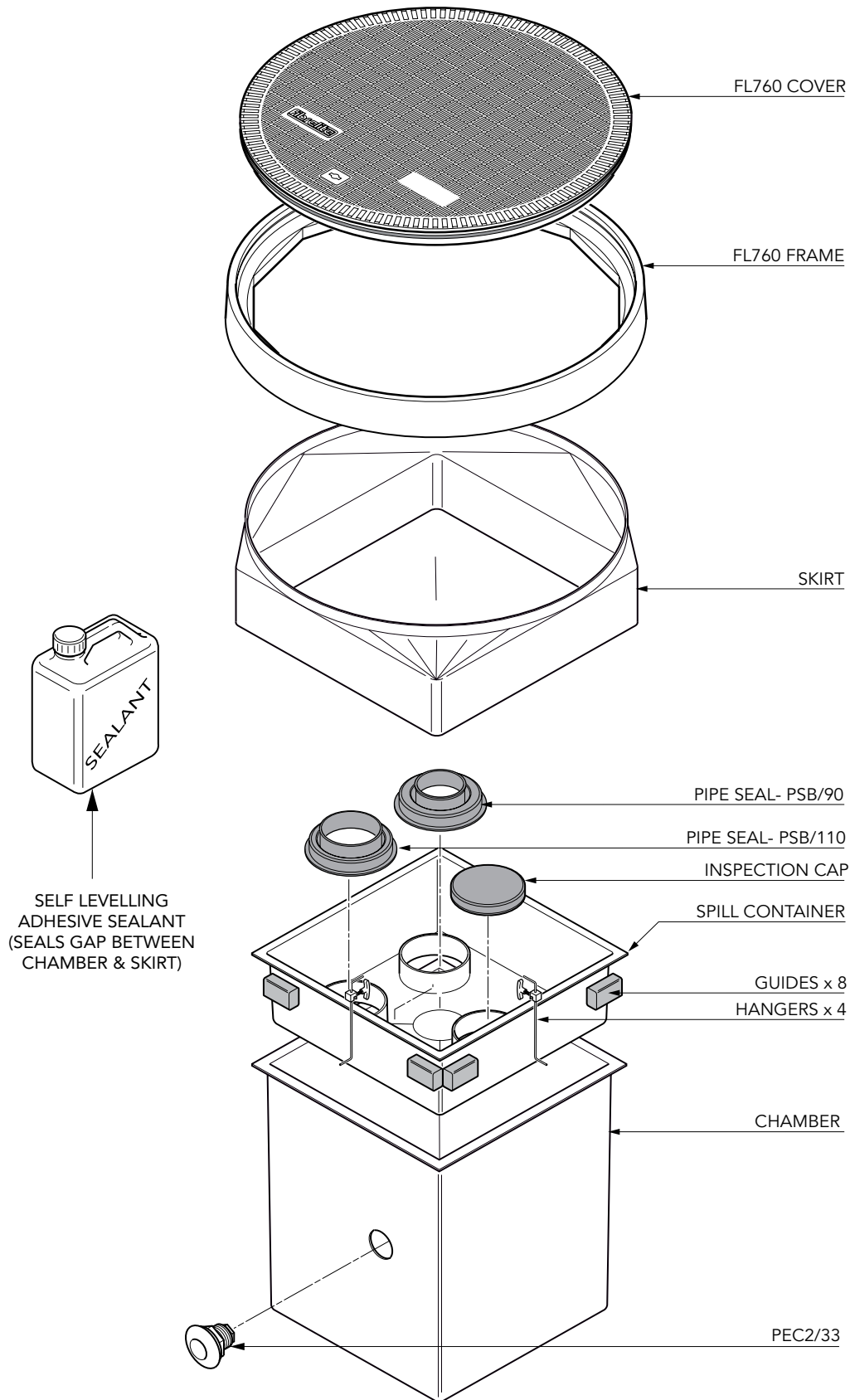


500mm square x 600mm deep GRP solid base sump, GRP spill container, GRP skirt, 760mm dia flat sealed cover and frame. ½ tin sealant. Designed to fit Environ pipework. 1 Fill and 1 VR1B

For reference purposes only. This drawing is not a specification. Order against product code only. To enable continuous improvement of our products, the designs and specifications are subject to change without notice.

FIBRELITE 
PART OF OPW A DOVER COMPANY

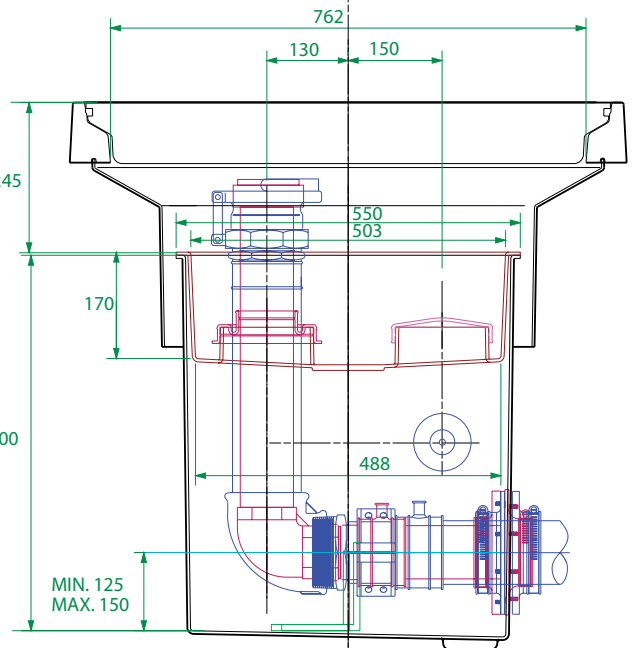
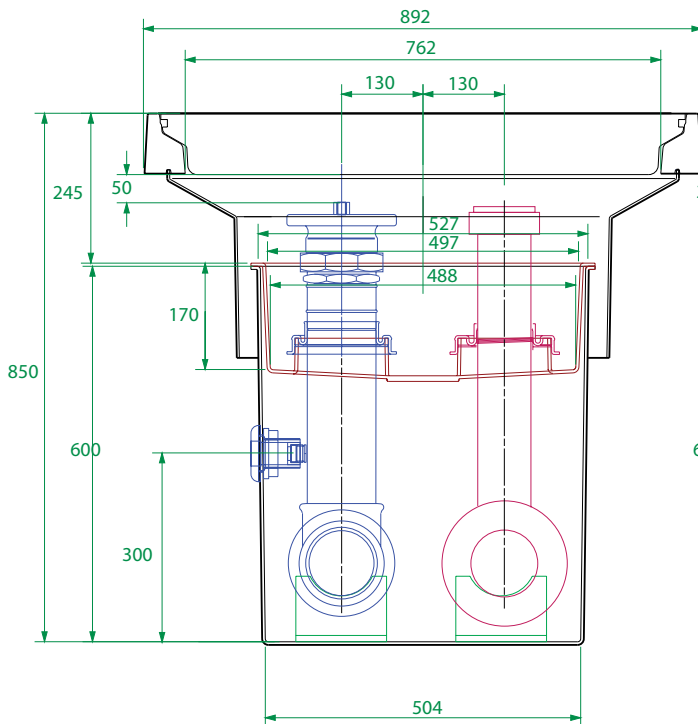
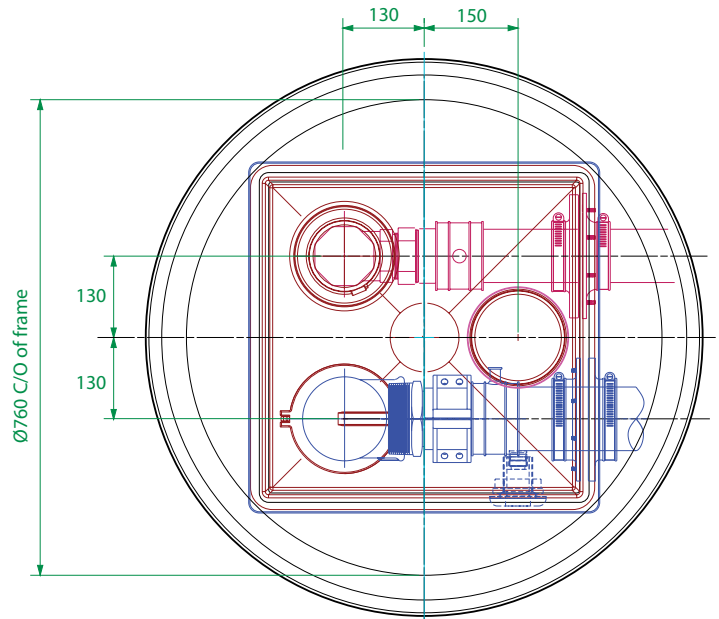


500mm square x 600mm deep GRP solid base sump, GRP spill container, GRP skirt, 760mm dia flat sealed cover and frame. ½ tin sealant. Designed to fit Environ pipework. 1 Fill and 1 VR1B

For reference purposes only. This drawing is not a specification. Order against product code only. To enable continuous improvement of our products, the designs and specifications are subject to change without notice.

FIBRELITE 
PART OF OPW A DOVER COMPANY

Spill Containment
Capacity = 35 Litres

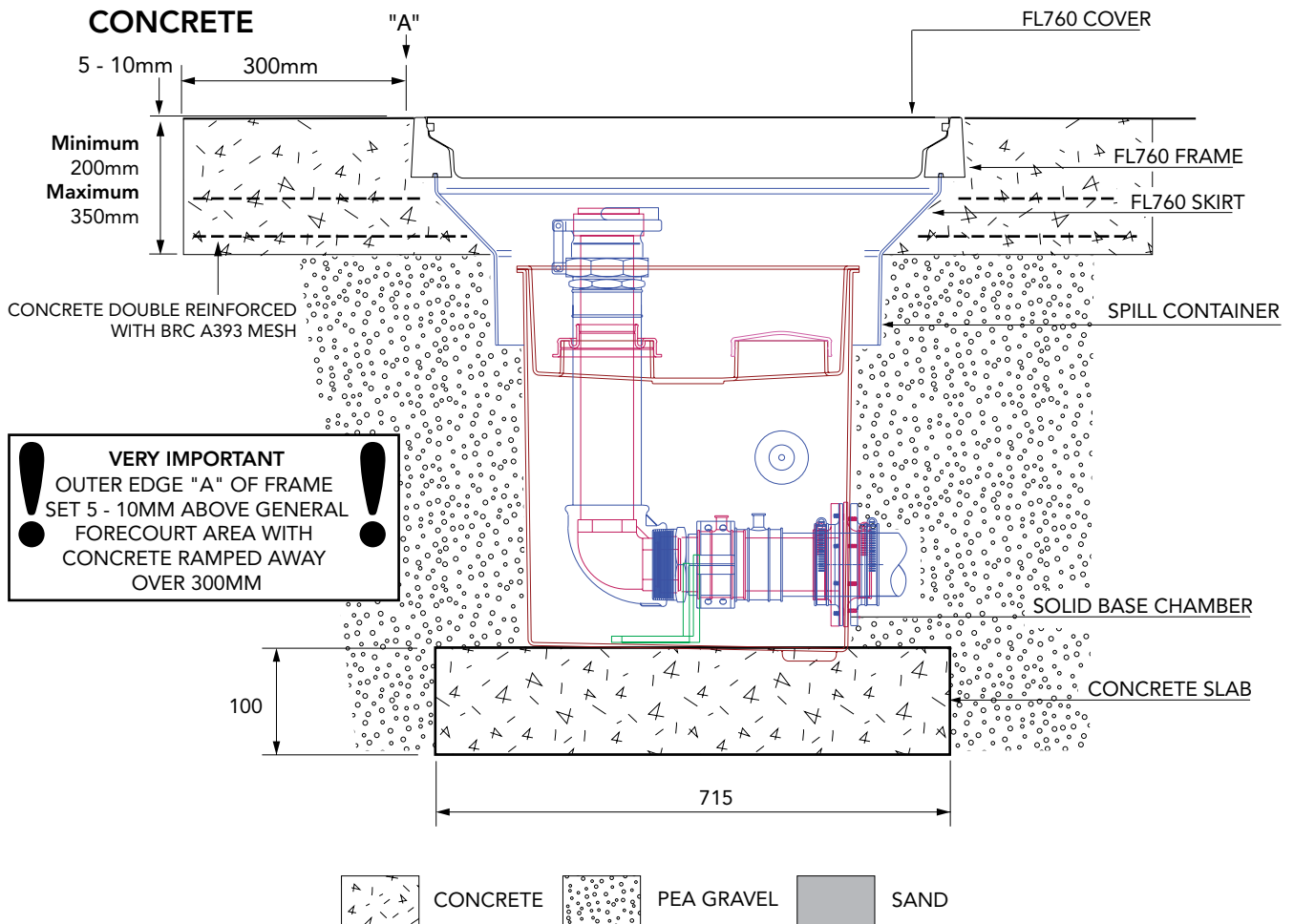


500mm square x 600mm deep GRP solid base sump, GRP spill container, GRP skirt, 760mm dia flat sealed cover and frame. ½ tin sealant. Designed to fit Environ pipework. 1 Fill and 1 VR1B

For reference purposes only. This drawing is not a specification. Order against product code only. To enable continuous improvement of our products, the designs and specifications are subject to change without notice.

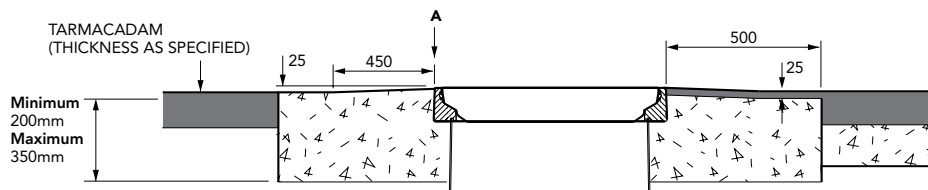
FIBRELITE 
PART OF OPW A DOVER COMPANY

TYPICAL INSTALLATION



ALTERNATIVE INSTALLATION ADVICE

TARMACADAM



500mm square x 600mm deep GRP solid base sump, GRP spill container, GRP skirt, 760mm dia flat sealed deep cover and frame. ½ tin sealant. Designed to fit Environ pipework. 1 Fill and 1 VR1B

For reference purposes only. This drawing is not a specification. Order against product code only. To enable continuous improvement of our products, the designs and specifications are subject to change without notice.

FIBRELITE 

PART OF OPW A DOVER COMPANY