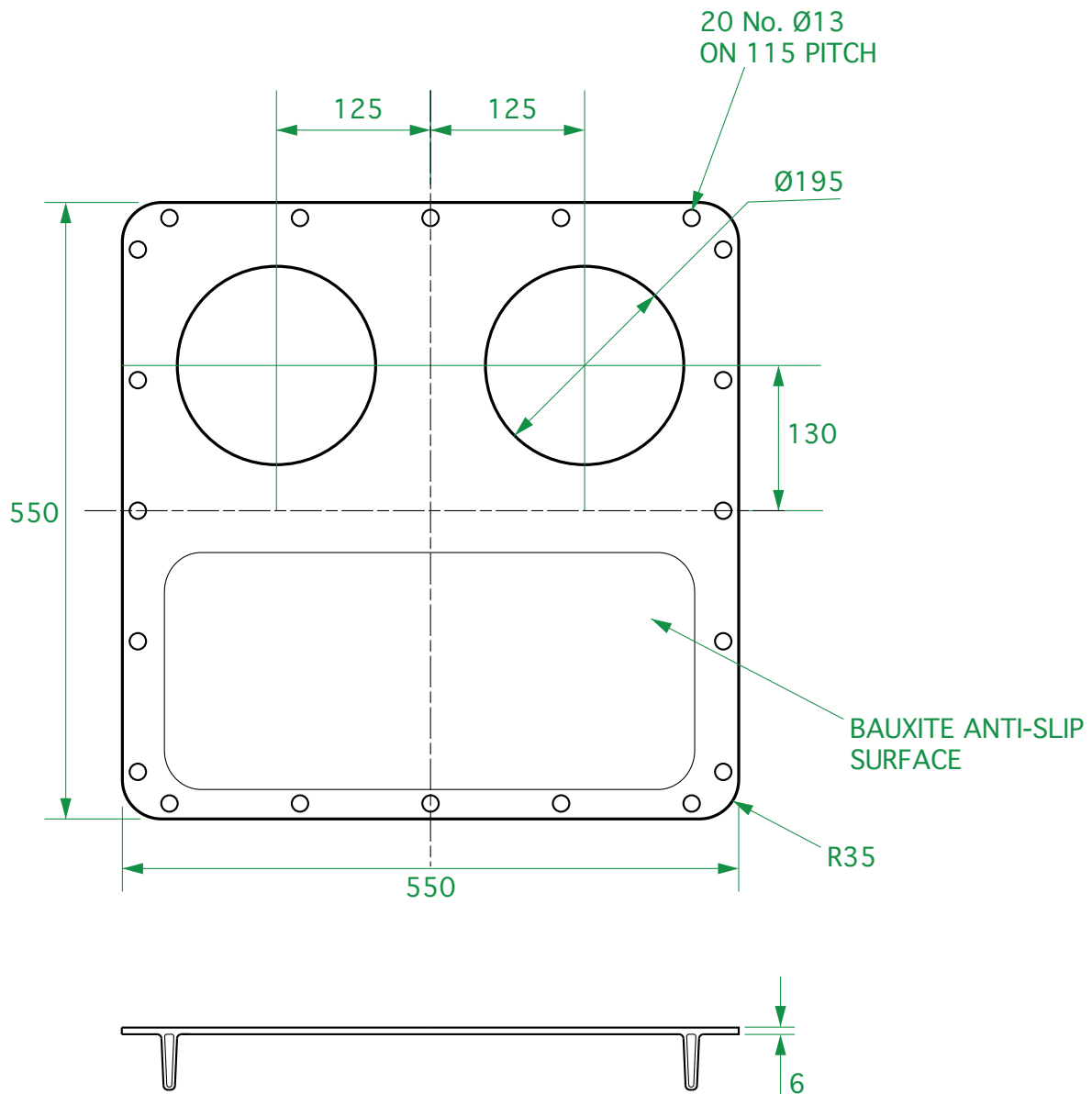
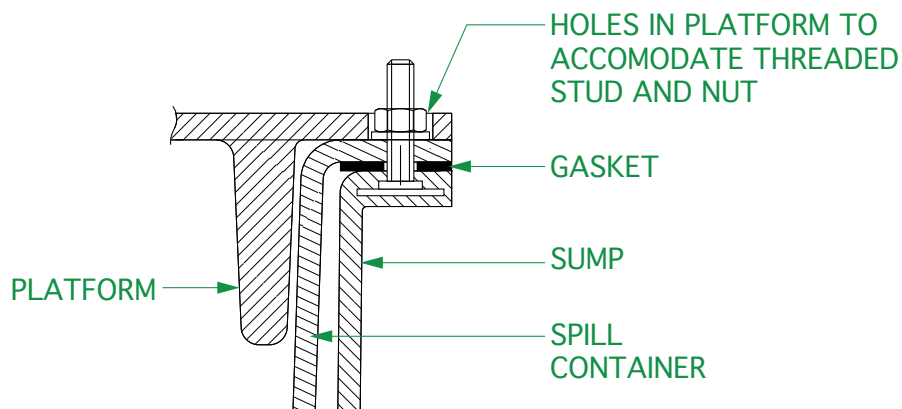


Structural platform to fit S2-360/OF & S2-3760/OF chamber systems. Includes one or two 195mm dia. holes and anti slip surface. Specify hole requirement when ordering. Designed to fit bolted spill trays.

For reference purposes only. This drawing is not a specification. Order against product code only. To enable continuous improvement of our products, the designs and specifications are subject to change without notice.



INSTALLATION DETAIL



Structural platform to fit S2-360/OF & S2-3760/OF chamber systems. Includes one or two 195mm dia. holes and anti slip surface. Specify hole requirement when ordering. Designed to fit bolted spill trays.

For reference purposes only. This drawing is not a specification. Order against product code only. To enable continuous improvement of our products, the designs and specifications are subject to change without notice.

FIBRELITE 
PART OF OPW A DOWER COMPANY