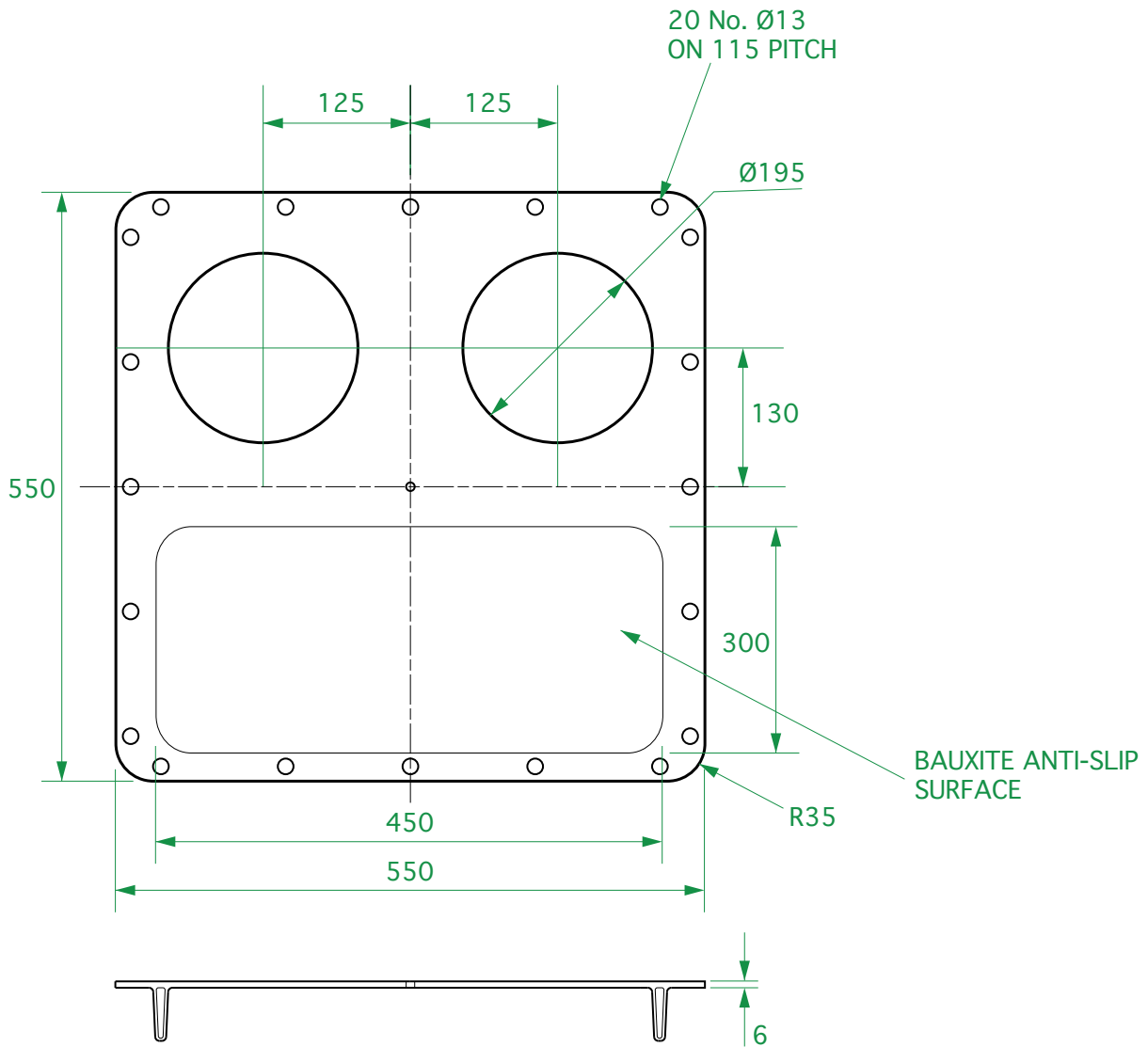
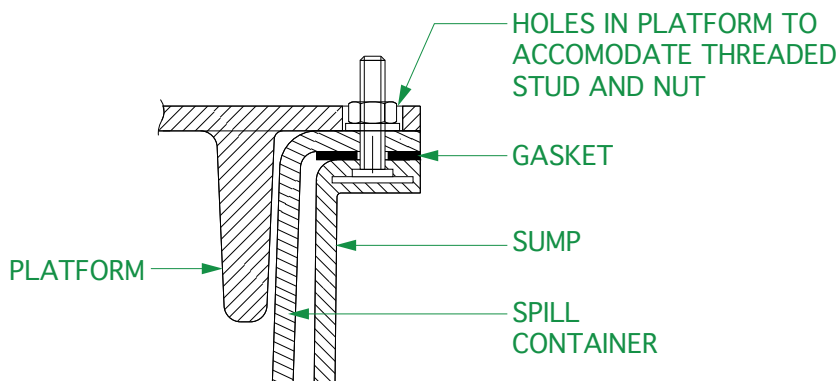


Structural platform to fit S2-360/OFD & S2-3760/OFD chamber systems. Includes one or two 195mm dia. holes. Includes anti-slip surface and a hole to fit a drainback valve plunger. Specify hole requirement when ordering. Designed to fit bolted spill trays.

For reference purposes only. This drawing is not a specification. Order against product code only. To enable continuous improvement of our products, the designs and specifications are subject to change without notice.



INSTALLATION DETAIL



Structural platform to fit S2-360/OFD & S2-3760/OFD chamber systems. Includes one or two 195mm dia. holes. Includes anti-slip surface and a hole to fit a drainback valve plunger. Specify hole requirement when ordering. Designed to fit bolted spill trays.

For reference purposes only. This drawing is not a specification. Order against product code only. To enable continuous improvement of our products, the designs and specifications are subject to change without notice.