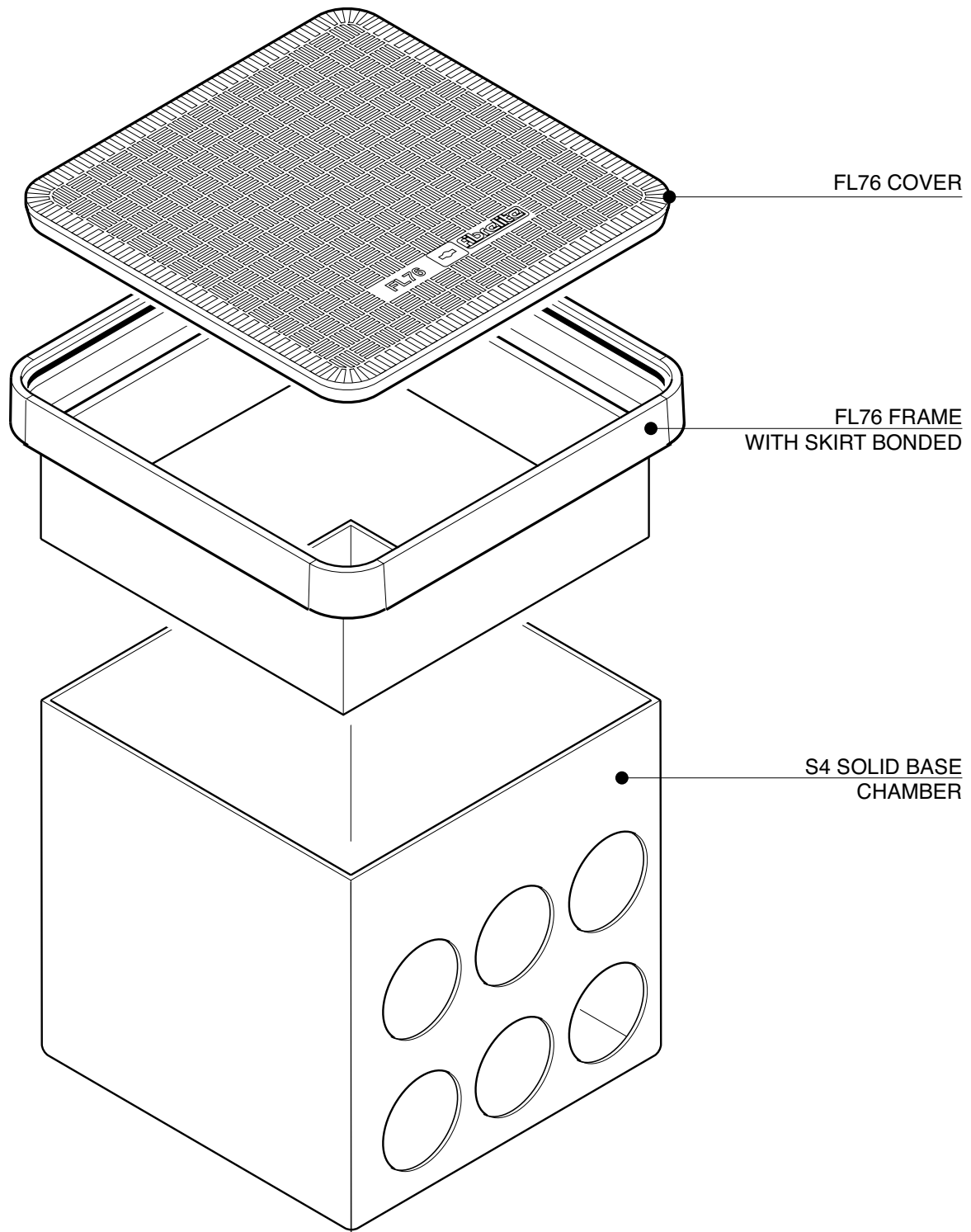


Electrical Drawpit 760mm square x 760mm deep GRP chamber with a 210mm deep skirt and square 760mm flat sealed cover.

For reference purposes only. This drawing is not a specification. Order against product code only. To enable continuous improvement of our products, the designs and specifications are subject to change without notice.

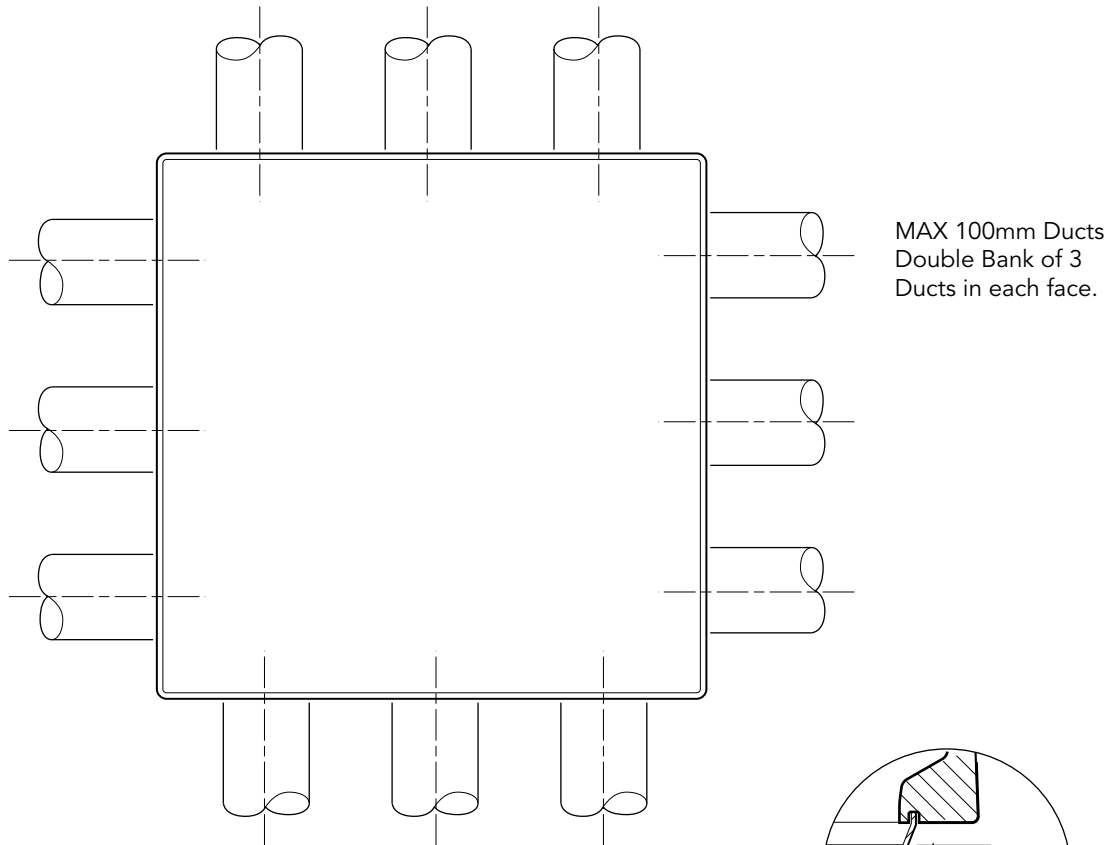
**FIBRELITE**   
PART OF OPW A DOVER COMPANY



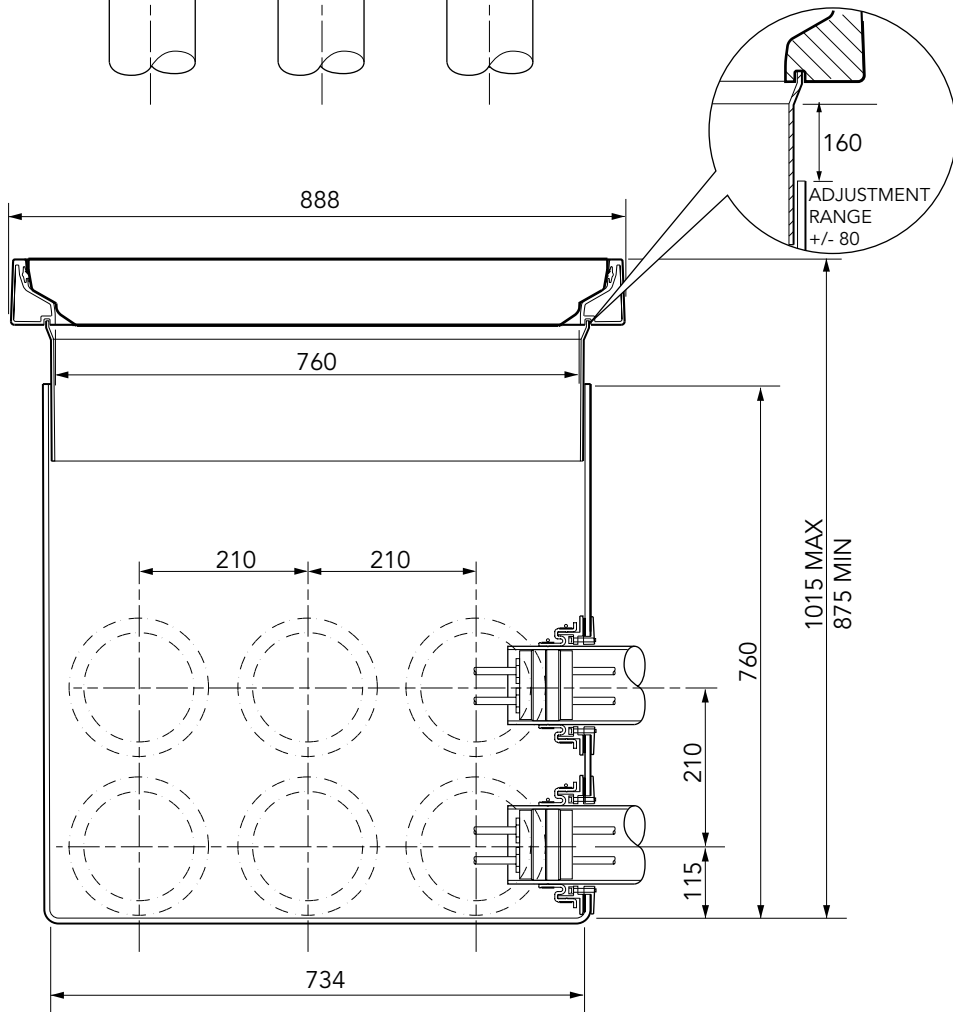
Electrical Drawpit 760mm square x 760mm deep GRP chamber with a 210mm deep skirt and square 760mm flat sealed cover.

For reference purposes only. This drawing is not a specification. Order against product code only. To enable continuous improvement of our products, the designs and specifications are subject to change without notice.

**FIBRELITE**   
PART OF OPW A DOVER COMPANY



MAX 100mm Ducts  
Double Bank of 3  
Ducts in each face.



Electrical Drawpit 760mm square x 760mm deep GRP chamber with a 210mm deep skirt and square 760mm flat sealed cover.

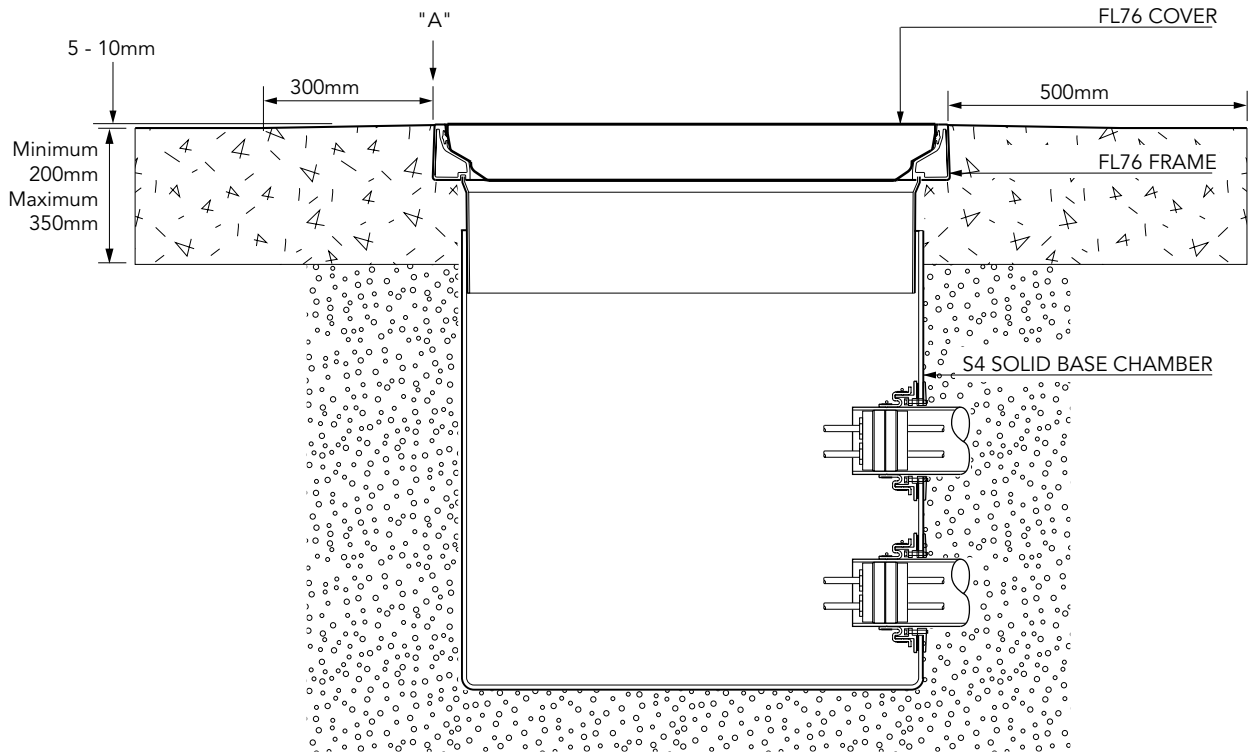
For reference purposes only. This drawing is not a specification. Order against product code only. To enable continuous improvement of our products, the designs and specifications are subject to change without notice.



**! VERY IMPORTANT !**  
**OUTER EDGE "A" OF FRAME SET 5 - 10MM**  
**ABOVE GENERAL FORECOURT AREA WITH**  
**CONCRETE RAMPED AWAY OVER 300MM.**

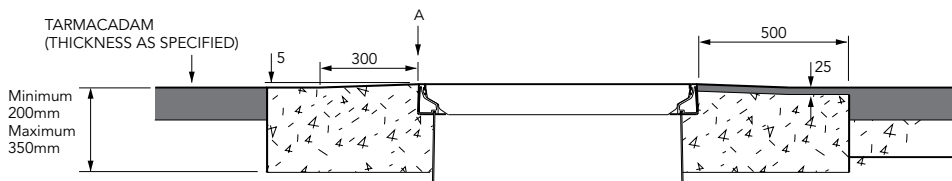
TYPICAL INSTALLATION

CONCRETE

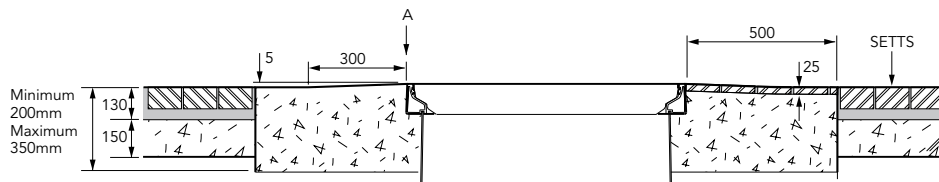


ALTERNATIVE INSTALLATION ADVICE

TARMACADAM



SETTS



Electrical Drawpit 760mm square x 760mm deep GRP chamber with a 210mm deep skirt and square 760mm flat sealed cover.

For reference purposes only. This drawing is not a specification. Order against product code only. To enable continuous improvement of our products, the designs and specifications are subject to change without notice.

