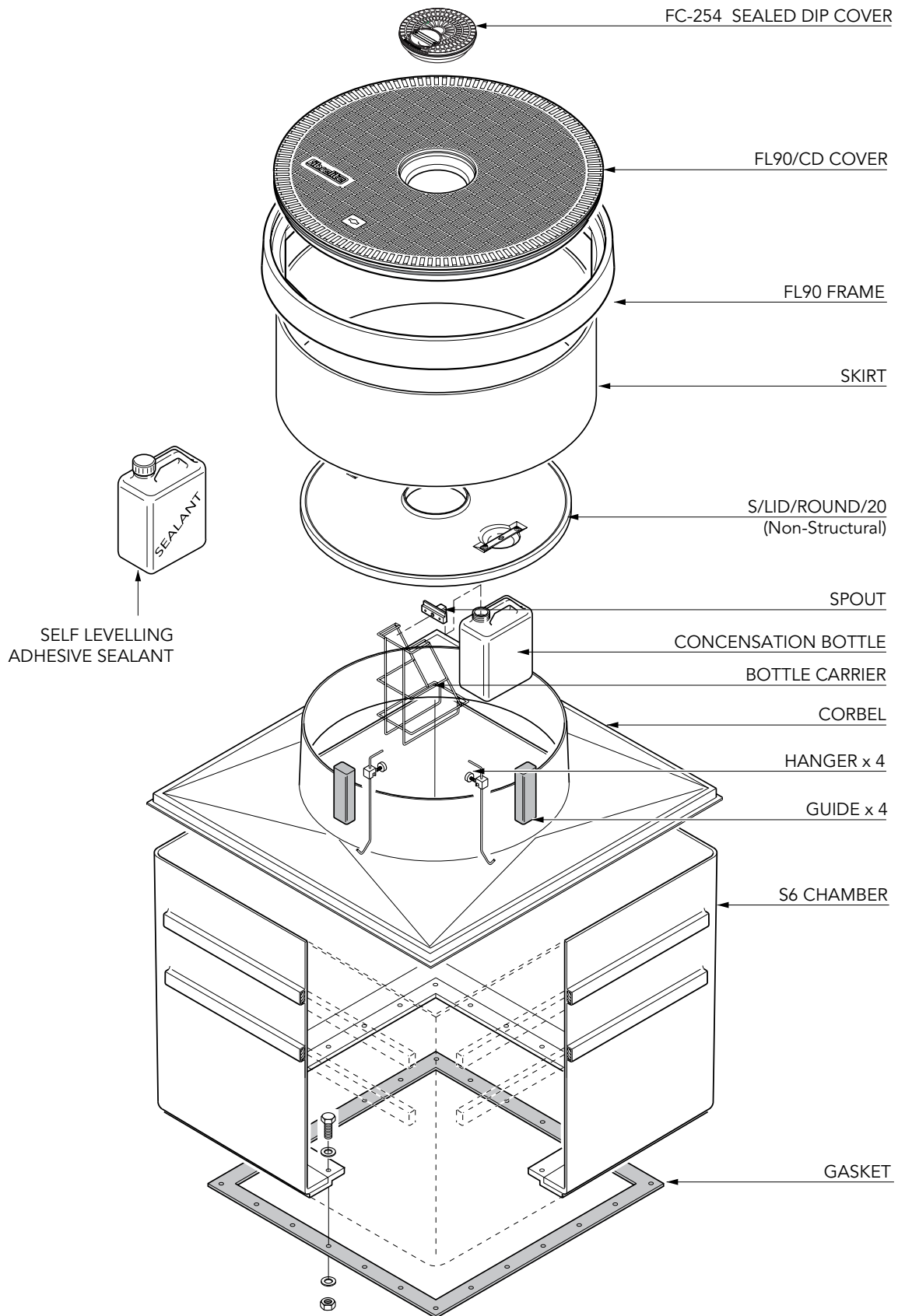


1.2m square bolted base chamber with a corbel, non-structural lid, adjustable skirt, frame and round 900mm flat sealed cover with a central manual dip cover. (1m2 tank flange detail)

For reference purposes only. This drawing is not a specification. Order against product code only. To enable continuous improvement of our products, the designs and specifications are subject to change without notice.

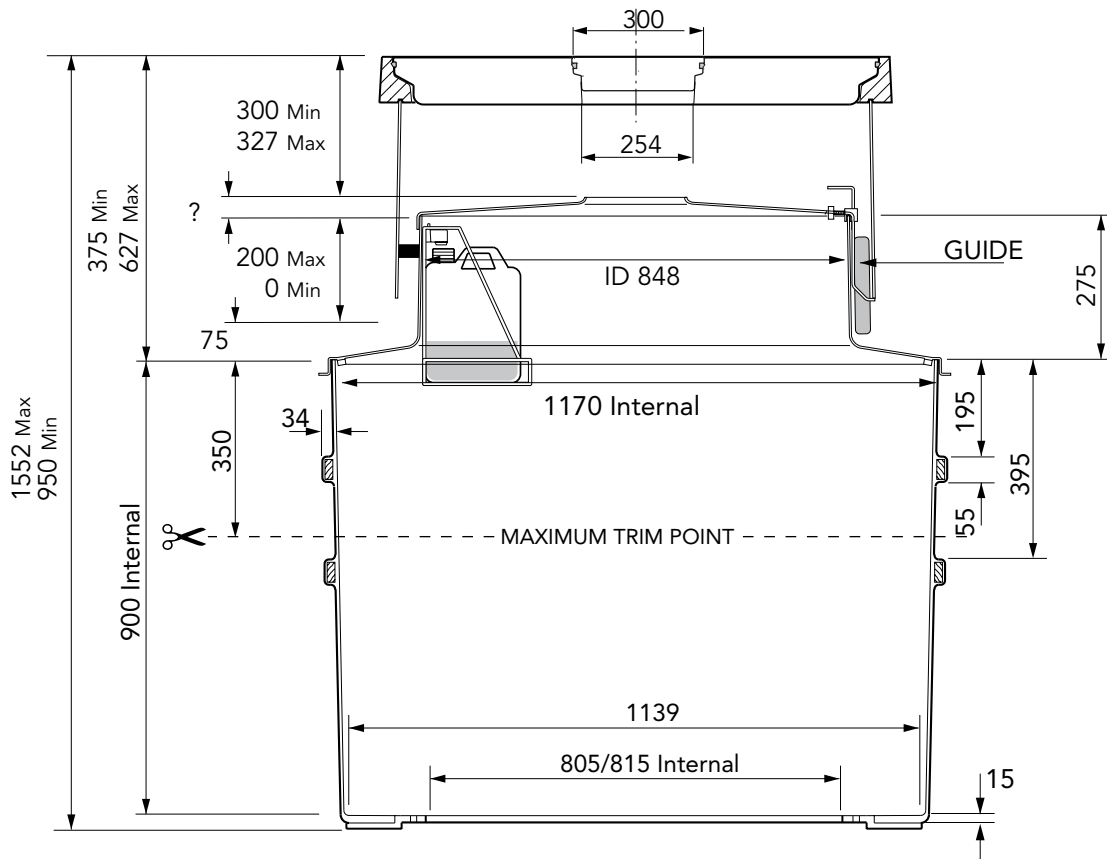
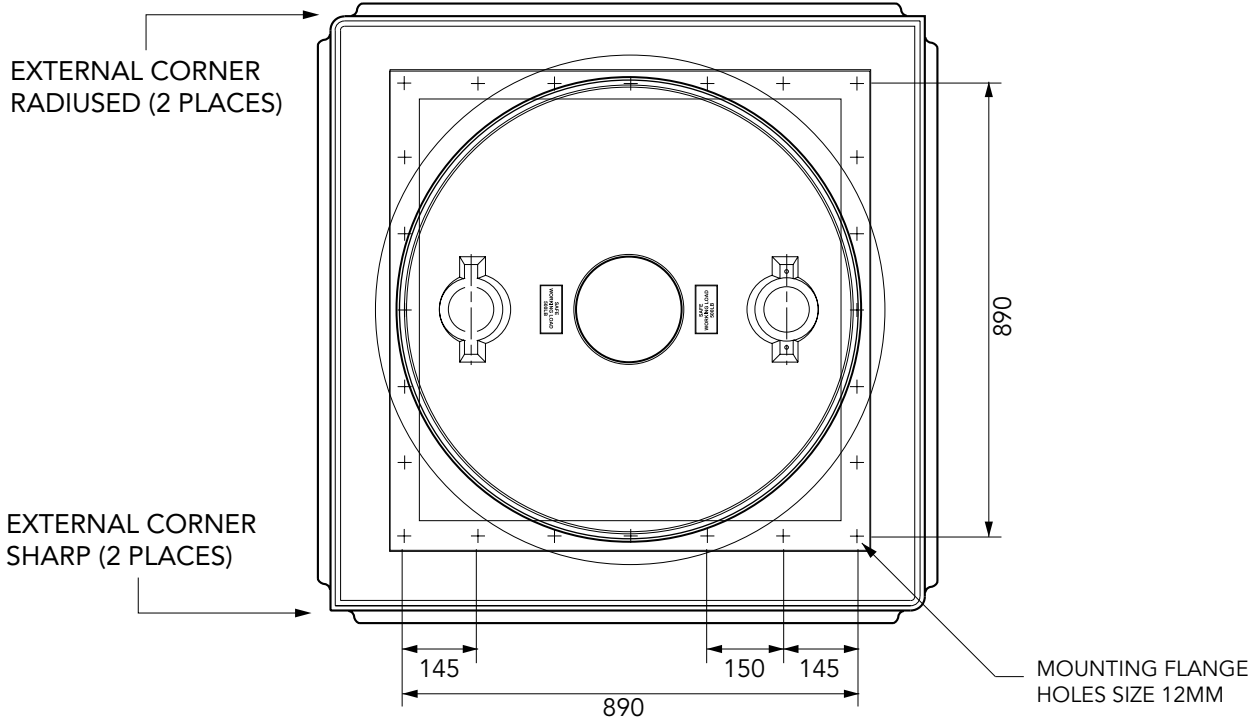
FIBRELITE 
PART OF OPW A DOVER COMPANY



1.2m square bolted base chamber with a corbel, non-structural lid, adjustable skirt, frame and round 900mm flat sealed cover with a central manual dip cover. (1m2 tank flange detail)

For reference purposes only. This drawing is not a specification. Order against product code only. To enable continuous improvement of our products, the designs and specifications are subject to change without notice.

FIBRELITE 
PART OF OPW A DOVER COMPANY



1.2m square bolted base chamber with a corbel, non-structural lid, adjustable skirt, frame and round 900mm flat sealed cover with a central manual dip cover. (1m2 tank flange detail)

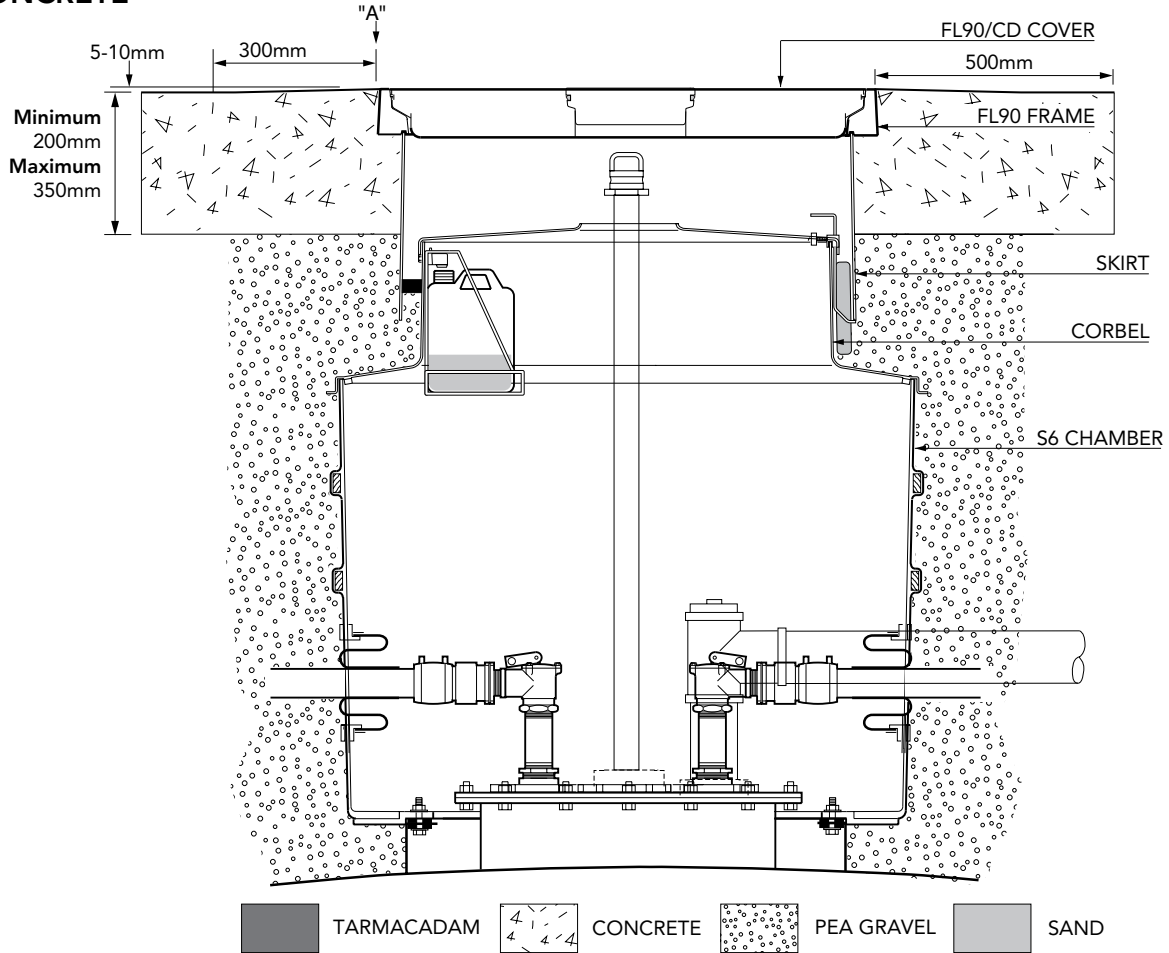
For reference purposes only. This drawing is not a specification. Order against product code only. To enable continuous improvement of our products, the designs and specifications are subject to change without notice.

FIBRELITE 
PART OF OPW A DOVER COMPANY

VERY IMPORTANT
 OUTER EDGE "A" OF FRAME SET 5 - 10MM
 ABOVE GENERAL FORECOURT AREA WITH
 CONCRETE RAMPED AWAY OVER 300MM.

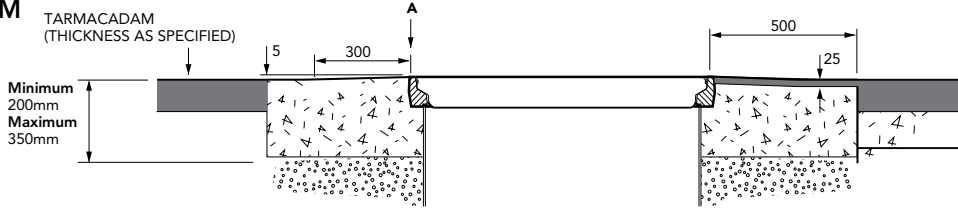
TYPICAL INSTALLATION

CONCRETE

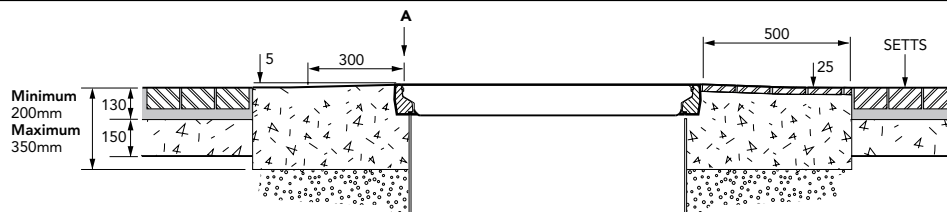


ALTERNATIVE INSTALLATION ADVICE

TARMACADAM



SETTS



1.2m square bolted base chamber with a corbel, non-structural lid, adjustable skirt, frame and round 900mm flat sealed cover with a central manual dip cover. (1m2 tank flange detail)

For reference purposes only. This drawing is not a specification. Order against product code only. To enable continuous improvement of our products, the designs and specifications are subject to change without notice.

