

42" diameter collar ring sump with a sealed corbel, spill platform, OPW Spill buckets and skirt and round 1020mm multi-port flat sealed cover. Direct Fill Application

For reference purposes only. This drawing is not a specification. Order against product code only. To enable continuous improvement of our products, the designs and specifications are subject to change without notice.

S8CR-3100-MP16

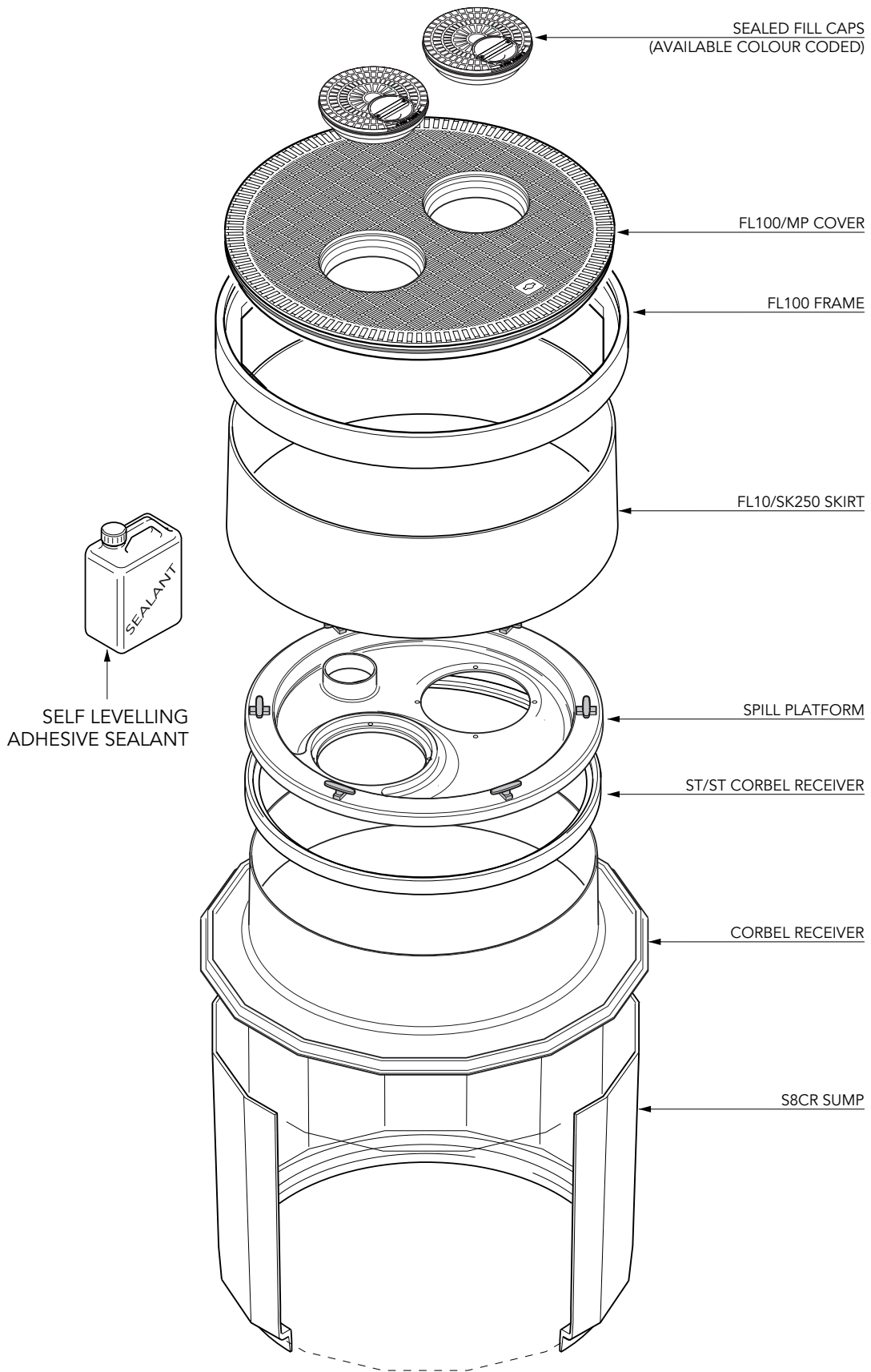
Issue: 11/06/2016

Page: 1 of 4

© Copyright

**FIBRELITE** 

PART OF OPW A DOVER COMPANY



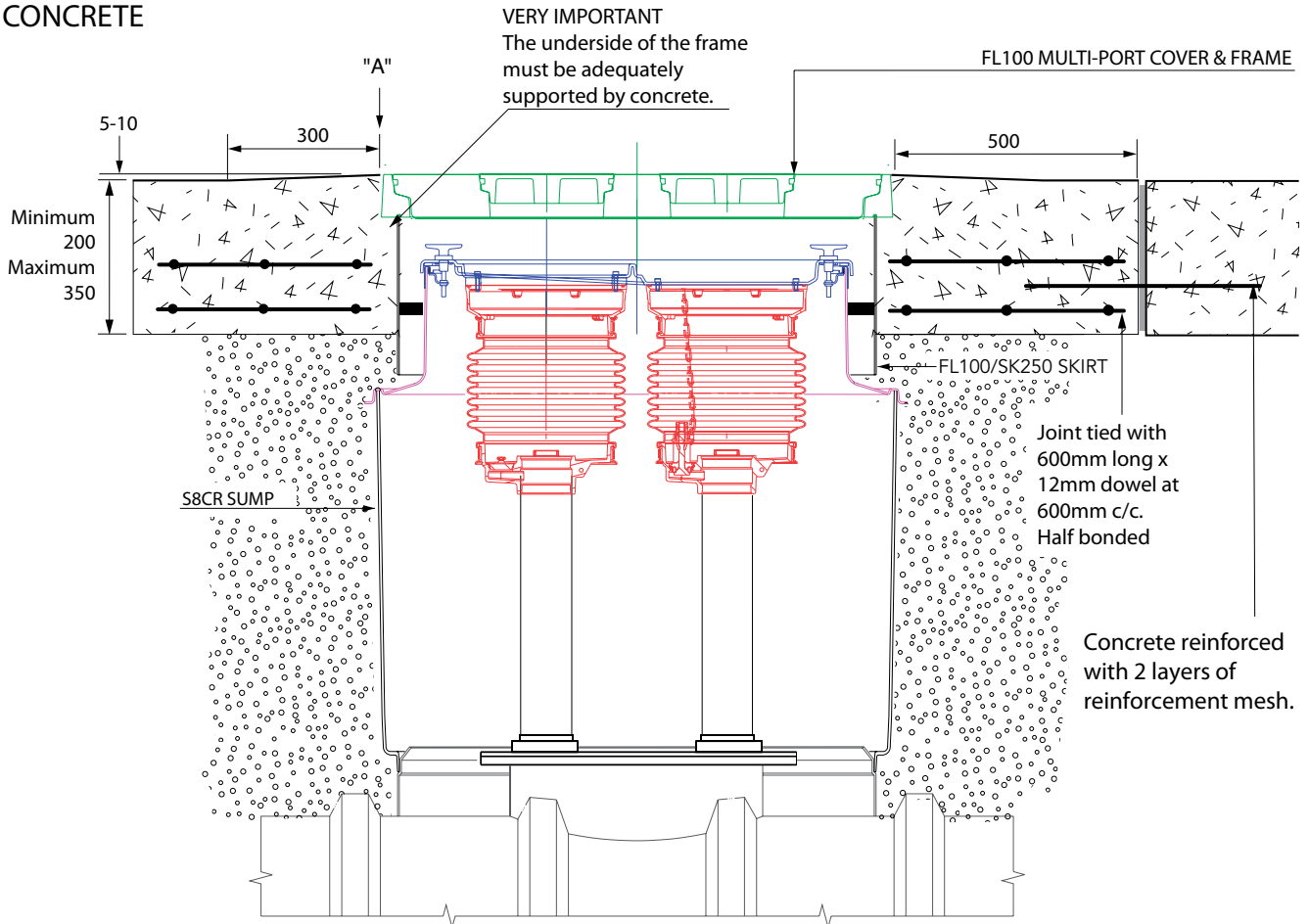
42" diameter collar ring sump with a sealed corbel, spill platform, OPW Spill buckets and skirt and round 1020mm multi-port flat sealed cover. Direct Fill Application

For reference purposes only. This drawing is not a specification. Order against product code only. To enable continuous improvement of our products, the designs and specifications are subject to change without notice.

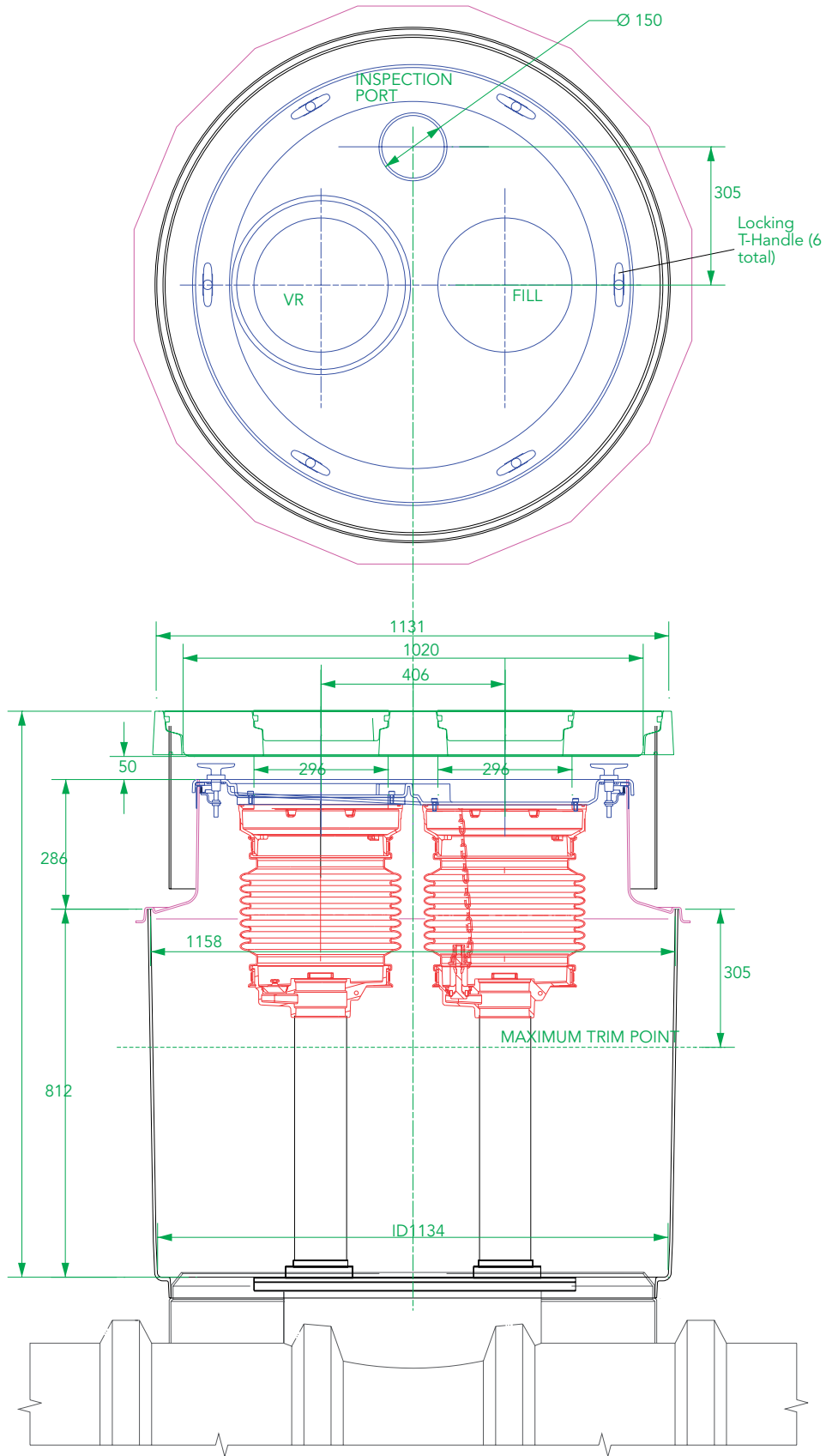
**FIBRELITE**   
PART OF OPW A DOWDER COMPANY

## TYPICAL INSTALLATION

CONCRETE



!
**VERY IMPORTANT**  
 OUTER EDGE "A" OF FRAME SET 5 - 10MM  
 ABOVE GENERAL GRADE AREA WITH  
 CONCRETE RAMPED AWAY OVER 300MM.
 !



42" diameter collar ring sump with a sealed corbel, spill platform, OPW Spill buckets and skirt and round 1020mm multi-port flat sealed cover. Direct Fill Application

For reference purposes only. This drawing is not a specification. Order against product code only. To enable continuous improvement of our products, the designs and specifications are subject to change without notice.

**FIBRELITE**   
PART OF OPW A DOVER COMPANY