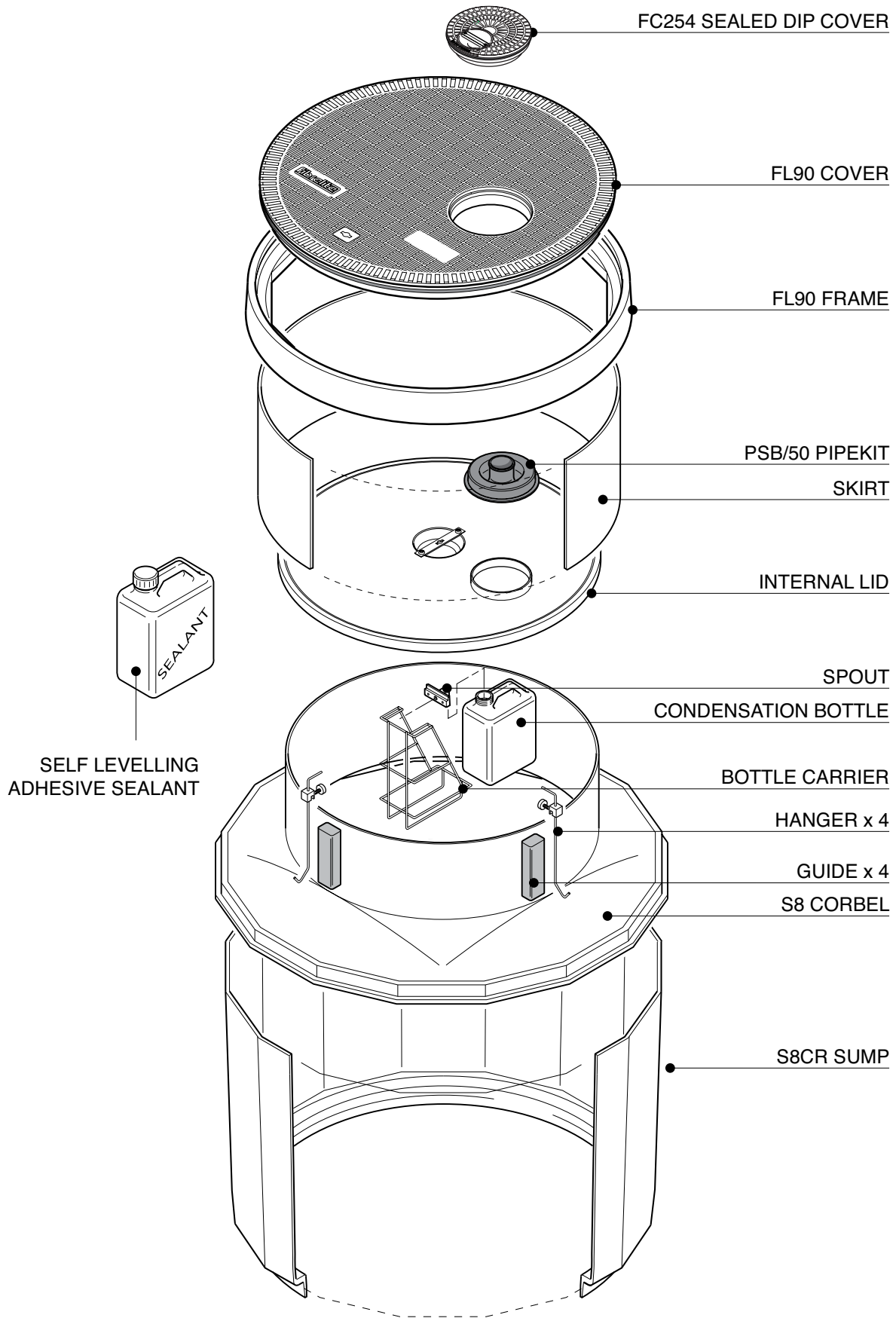


1.2m diameter chamber with collar ring base connection, sealed corbel, non-structural lid, adjustable skirt, frame and round 900mm flat sealed cover with manual offset dip cover.

For reference purposes only. This drawing is not a specification. Order against product code only. To enable continuous improvement of our products, the designs and specifications are subject to change without notice.

FIBRELITE 
PART OF OPW A DOVER COMPANY



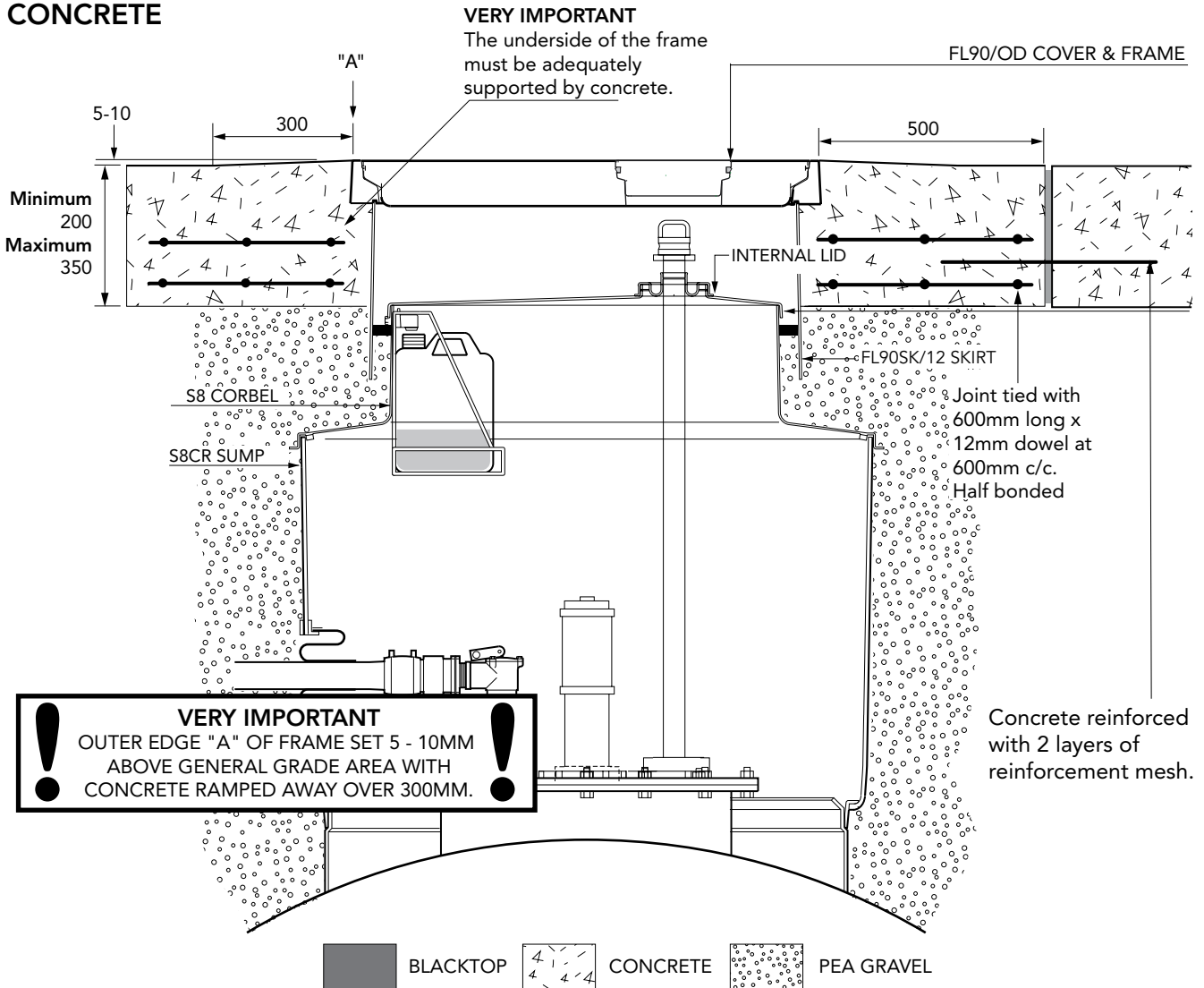
1.2m diameter chamber with collar ring base connection, sealed corbel, non-structural lid, adjustable skirt, frame and round 900mm flat sealed cover with manual offset dip cover.

For reference purposes only. This drawing is not a specification. Order against product code only. To enable continuous improvement of our products, the designs and specifications are subject to change without notice.

FIBRELITE 
PART OF OPW A DOVER COMPANY

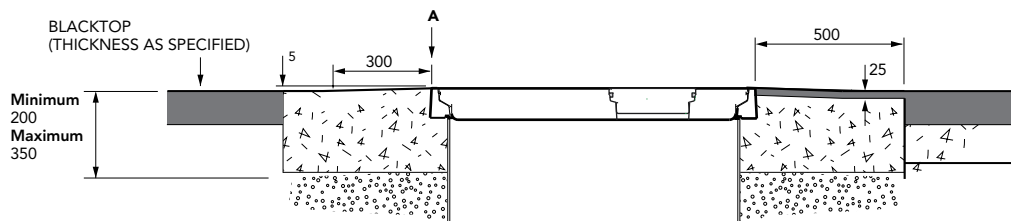
TYPICAL INSTALLATION

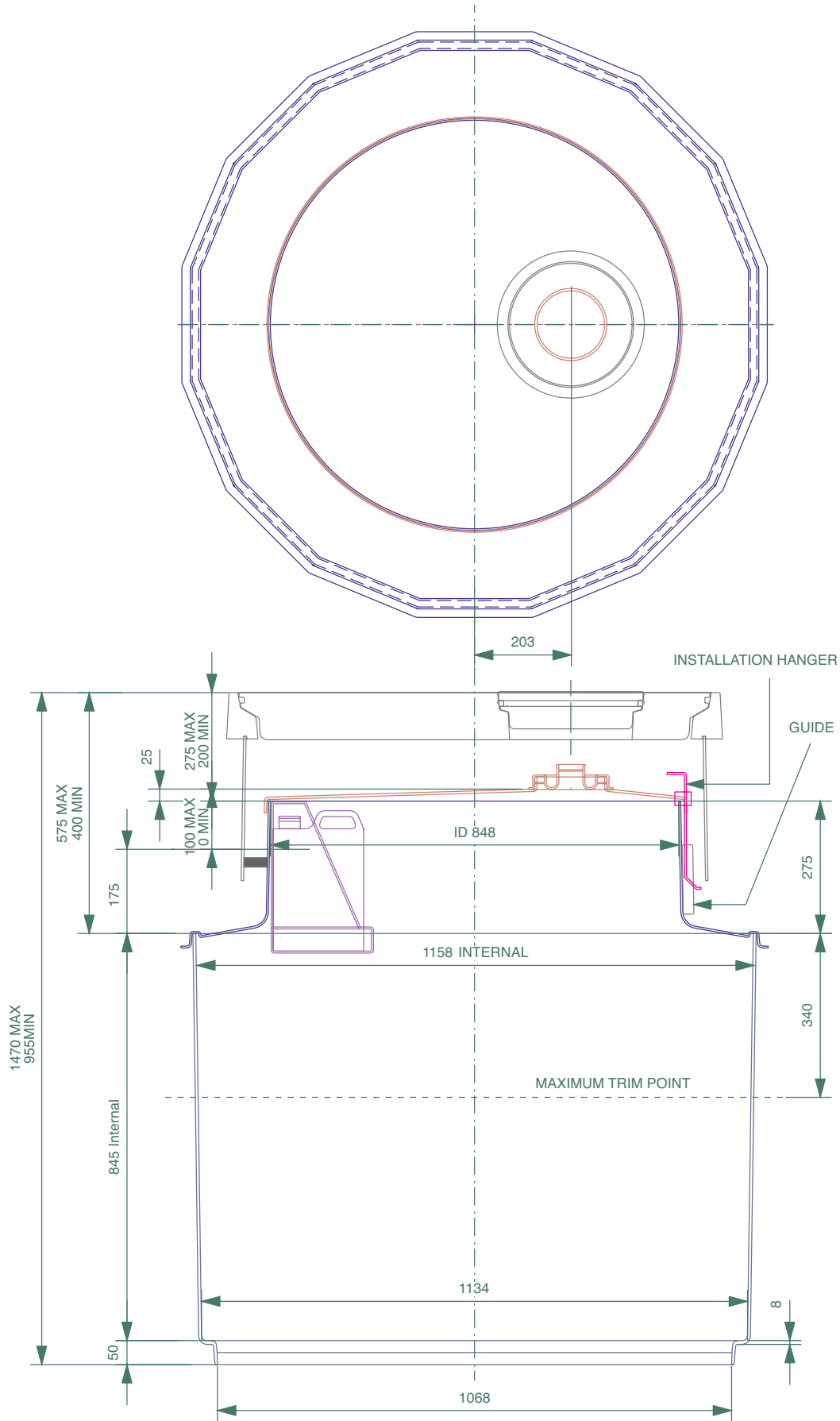
CONCRETE



ALTERNATIVE INSTALLATION ADVICE

BLACKTOP





1.2m diameter chamber with collar ring base connection, sealed corbel, non-structural lid, adjustable skirt, frame and round 900mm flat sealed cover with manual offset dip cover.

For reference purposes only. This drawing is not a specification. Order against product code only. To enable continuous improvement of our products, the designs and specifications are subject to change without notice.

FIBRELITE 
PART OF OPW A DOWDER COMPANY