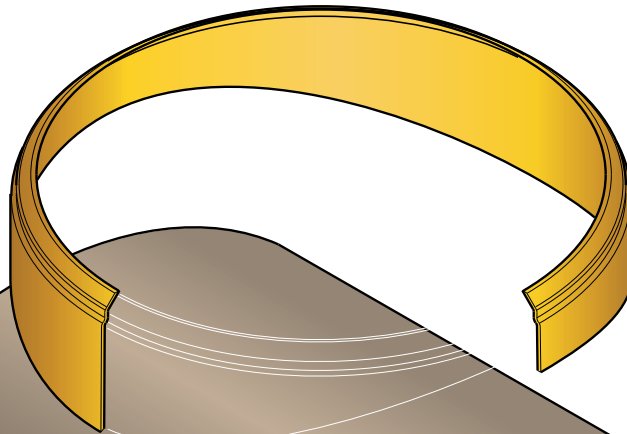
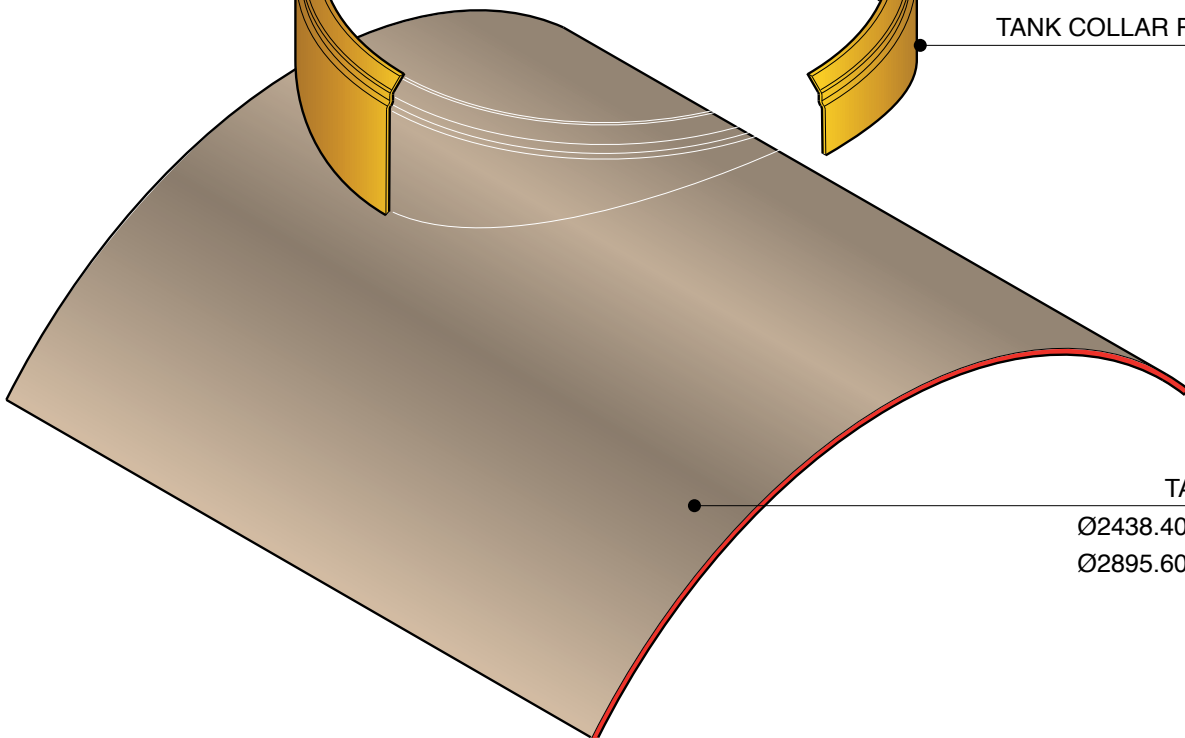


SUMP



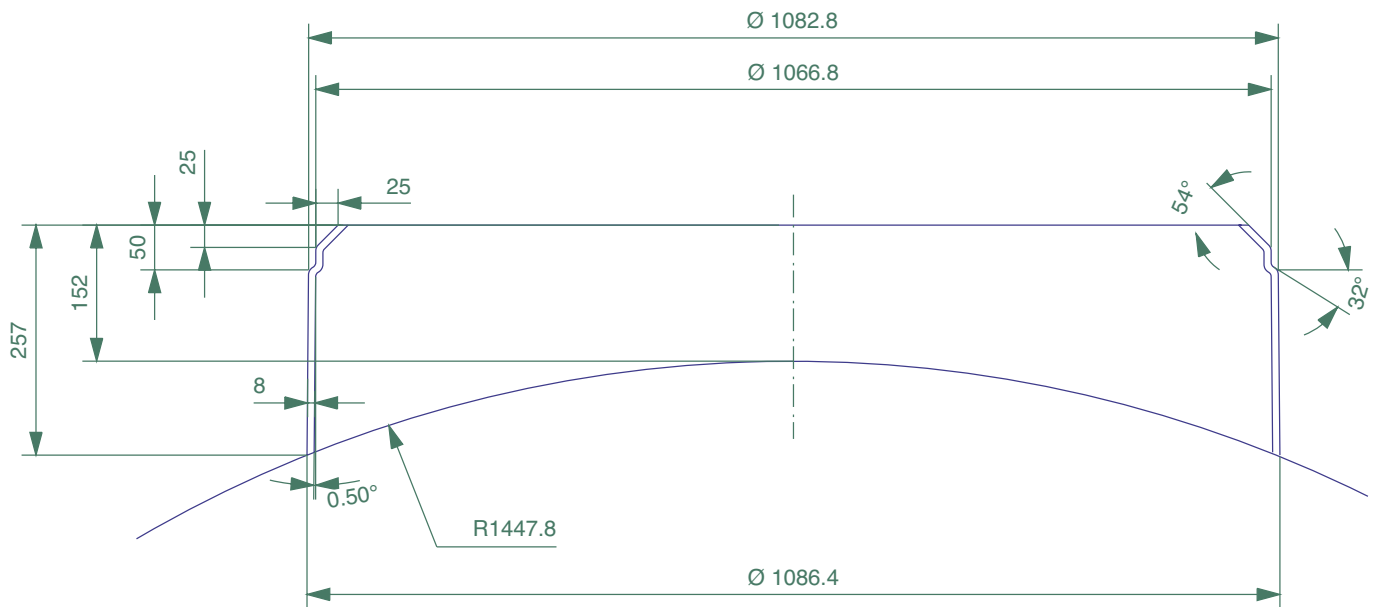
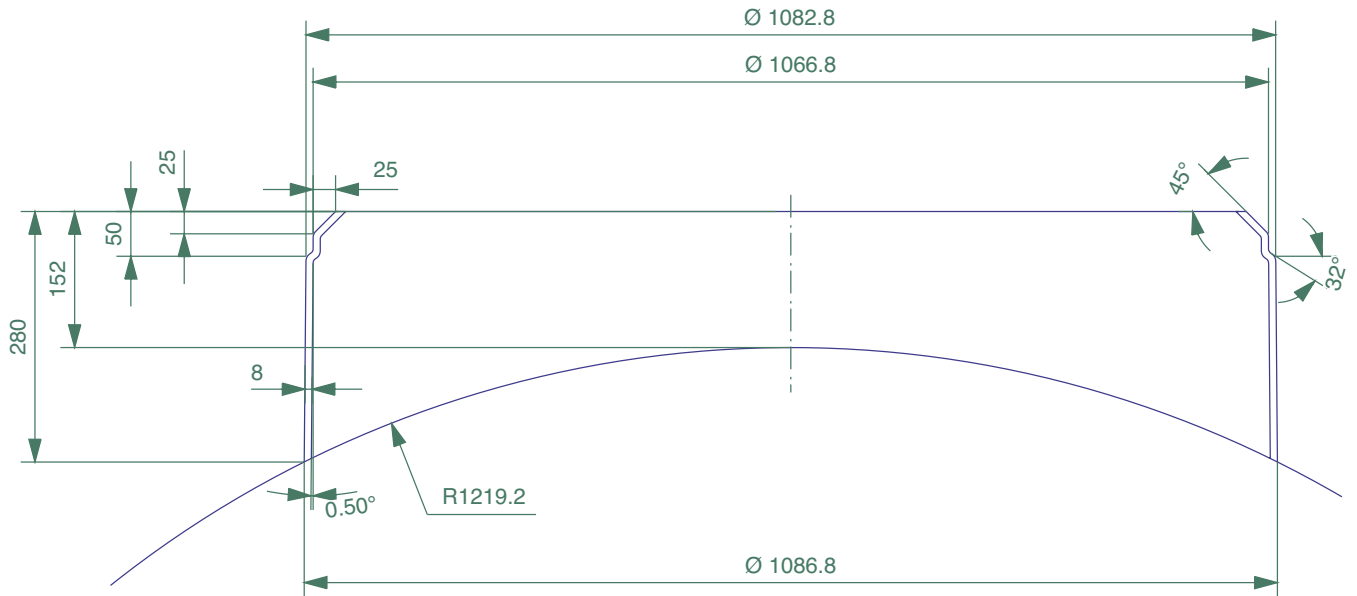
TANK COLLAR RING



TANK

Ø2438.40 mm

Ø2895.60 mm



Tank collar to fit S8CR collar ring chamber/sump.

For reference purposes only. This drawing is not a specification. Order against product code only. To enable continuous improvement of our products, the designs and specifications are subject to change without notice.

FIBRELITE 
PART OF OPW A DOVER COMPANY