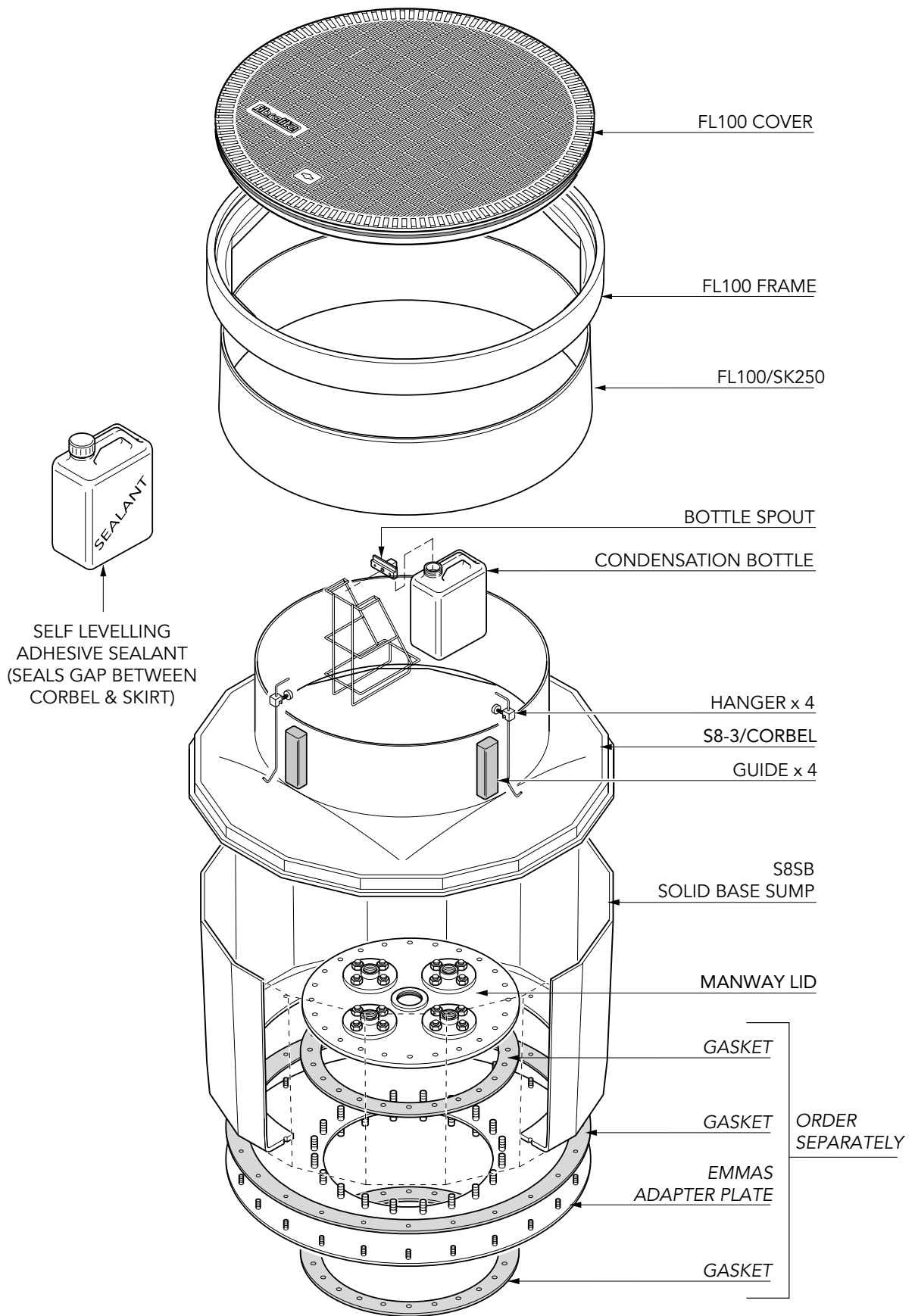


Shown with Adaptor Plate (Order Separately)

1.2m diameter base chamber with a sealed corbel, adjustable skirt and round 1020mm flat sealed cover. Structural base. No Internal lid. Designed for Shallow Burial Only.

For reference purposes only. This drawing is not a specification. Order against product code only. To enable continuous improvement of our products, the designs and specifications are subject to change without notice.

FIBRELITE 
PART OF OPW A DOWDER COMPANY

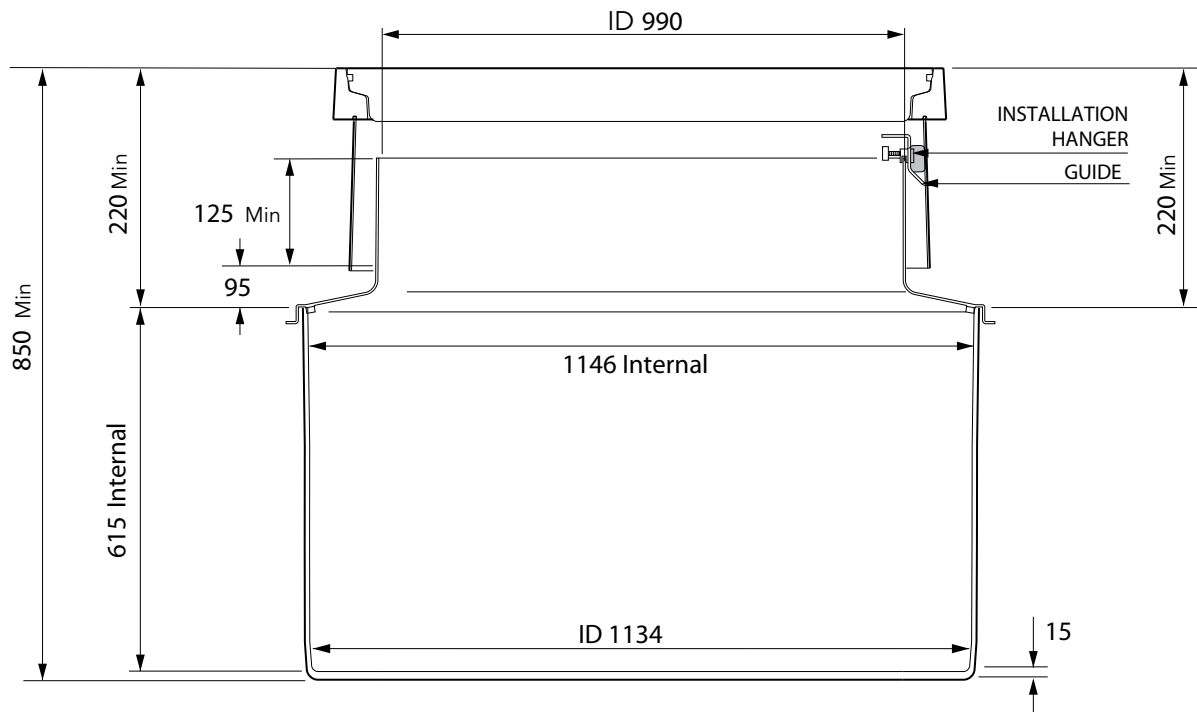
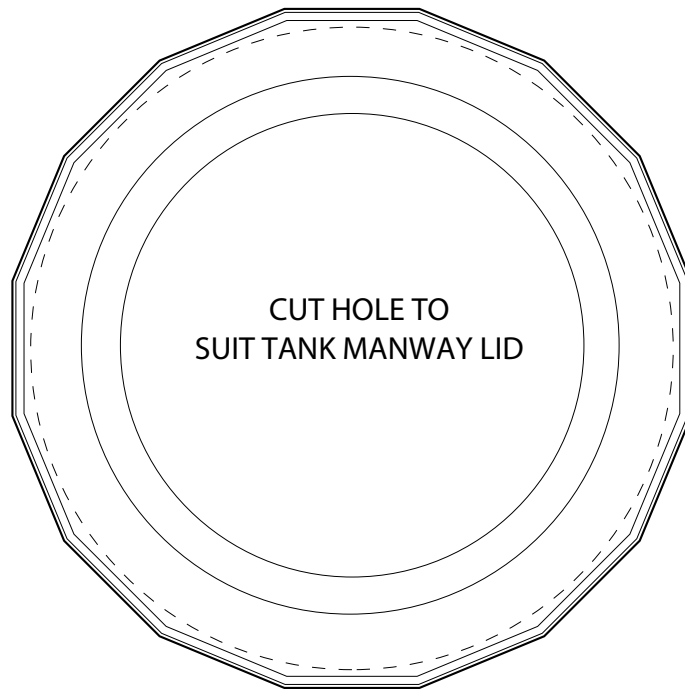


1.2m diameter base chamber with a sealed corbel, adjustable skirt and round 1020mm flat sealed cover. Structural base. No Internal lid. Designed for Shallow Burial Only.

For reference purposes only. This drawing is not a specification. Order against product code only. To enable continuous improvement of our products, the designs and specifications are subject to change without notice.

FIBRELITE 
PART OF OPW A DOVER COMPANY

DIMENSIONS AFTER MAXIMUM TRIMMING



1.2m diameter base chamber with a sealed corbel, adjustable skirt and round 1020mm flat sealed cover. Structural base. No Internal lid. Designed for Shallow Burial Only.

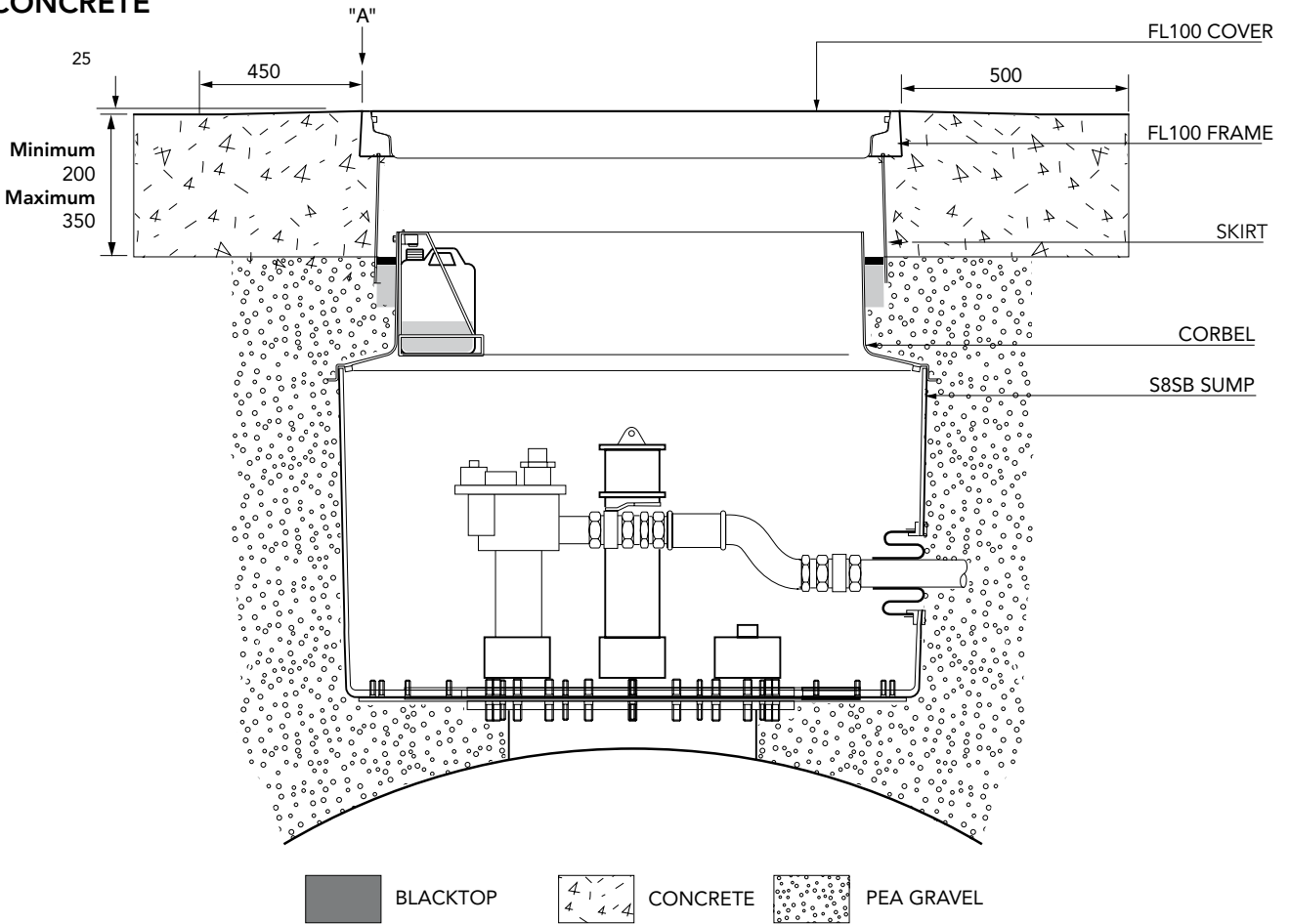
For reference purposes only. This drawing is not a specification. Order against product code only. To enable continuous improvement of our products, the designs and specifications are subject to change without notice.

FIBRELITE 
PART OF OPW A DOVER COMPANY

VERY IMPORTANT
 OUTER EDGE "A" OF FRAME SET 25mm
 ABOVE GENERAL GRADE AREA WITH
 CONCRETE RAMPED AWAY OVER 450mm.

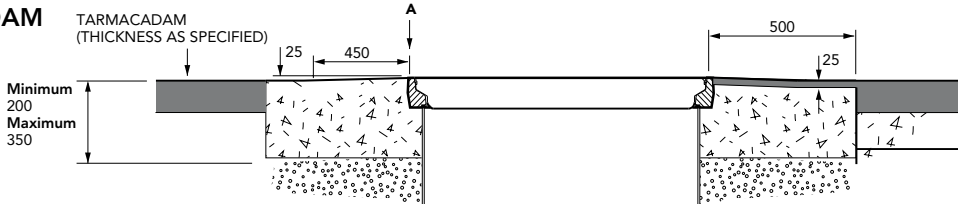
TYPICAL INSTALLATION

CONCRETE



ALTERNATIVE INSTALLATION ADVICE

TARMACADAM



1.2m diameter base chamber with a sealed corbel, adjustable skirt and round 1020mm flat sealed cover. Structural base. No Internal lid. Designed for Shallow Burial Only.

For reference purposes only. This drawing is not a specification. Order against product code only. To enable continuous improvement of our products, the designs and specifications are subject to change without notice.

