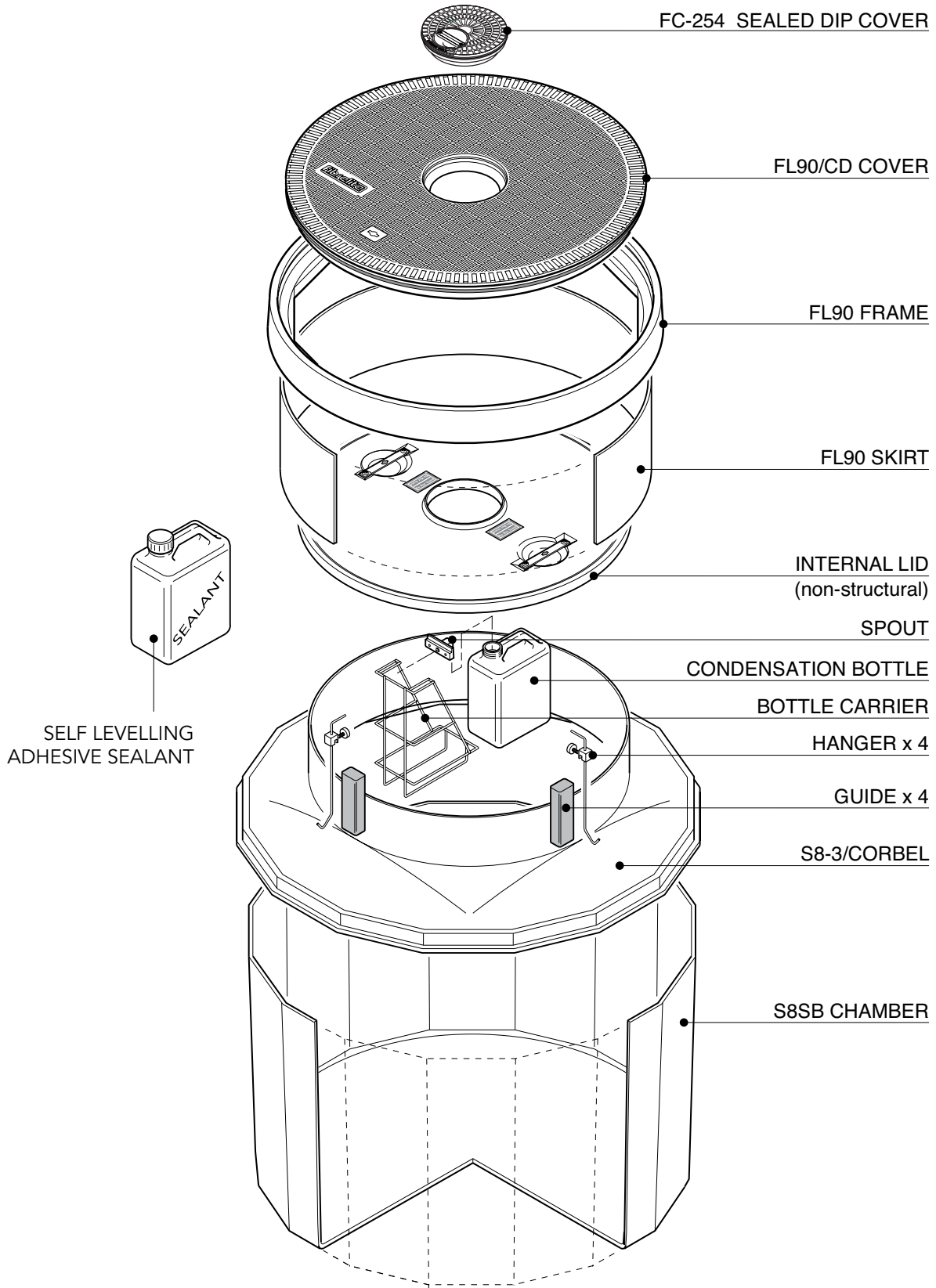


1.2m diameter solid base chamber with a corbel, adjustable skirt, non-structural internal lid and round 900mm flat sealed cover with central manual dip cover. Round Tank Flange.

For reference purposes only. This drawing is not a specification. Order against product code only. To enable continuous improvement of our products, the designs and specifications are subject to change without notice.

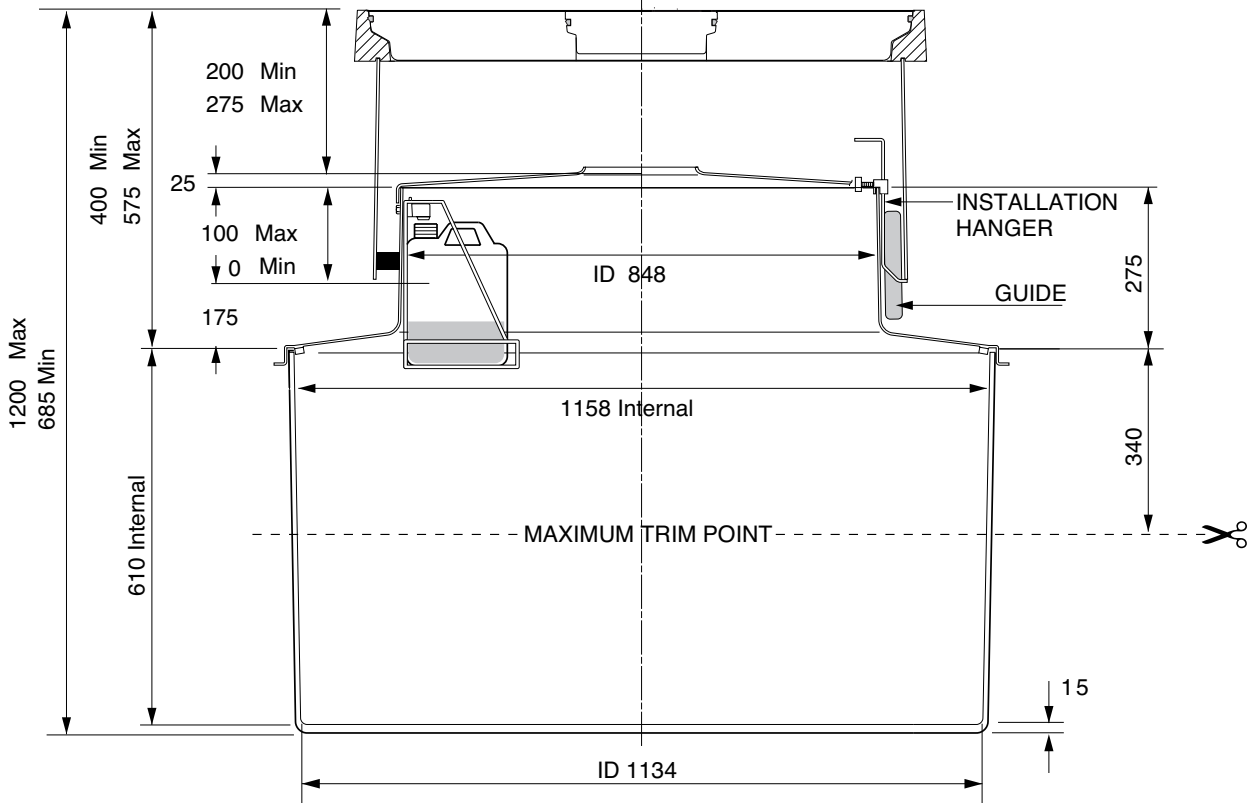
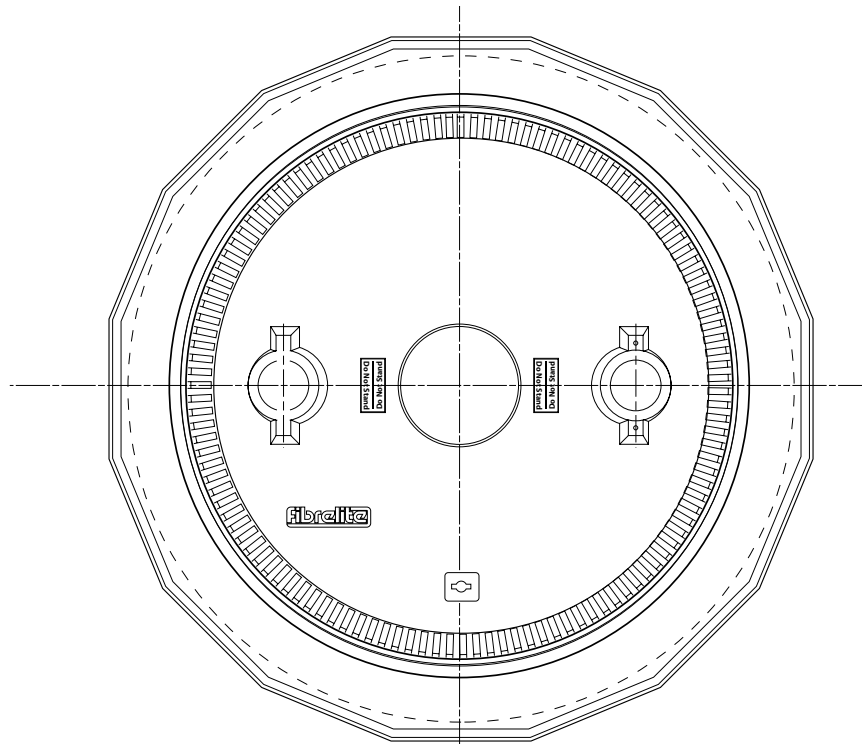


1.2m diameter solid base chamber with a corbel, adjustable skirt, non-structural internal lid and round 900mm flat sealed cover with central manual dip cover. Round Tank Flange.

For reference purposes only. This drawing is not a specification. Order against product code only. To enable continuous improvement of our products, the designs and specifications are subject to change without notice.



PART OF OPW A DOVER COMPANY



1.2m diameter solid base chamber with a corbel, adjustable skirt, non-structural internal lid and round 900mm flat sealed cover with central manual dip cover. Round Tank Flange.

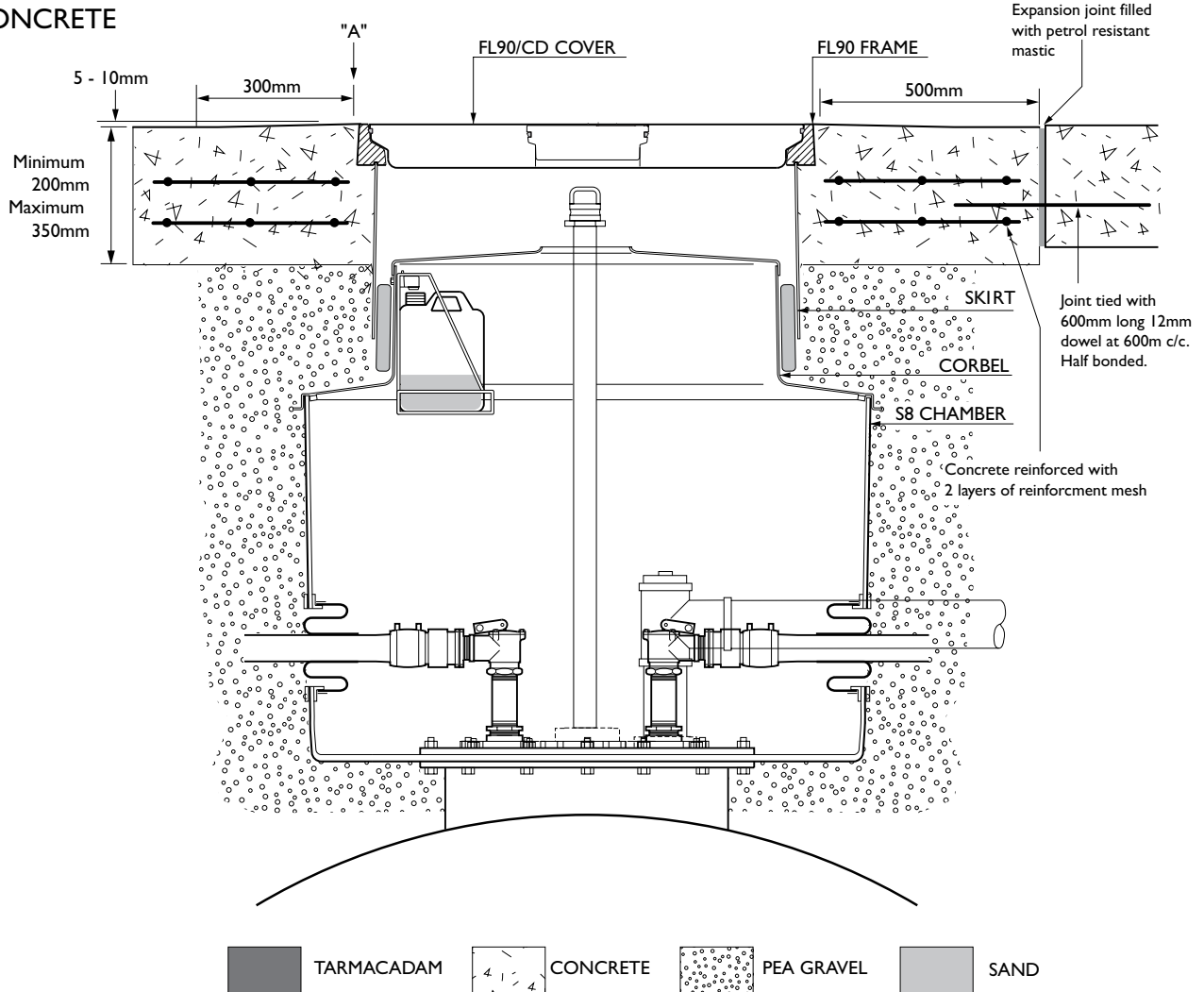
For reference purposes only. This drawing is not a specification. Order against product code only. To enable continuous improvement of our products, the designs and specifications are subject to change without notice.

FIBRELITE 
PART OF OPW A DOVER COMPANY

! VERY IMPORTANT !
 OUTER EDGE "A" OF FRAME SET 5 - 10MM
 ABOVE GENERAL FORECOURT AREA WITH
 CONCRETE RAMPED AWAY OVER 300MM

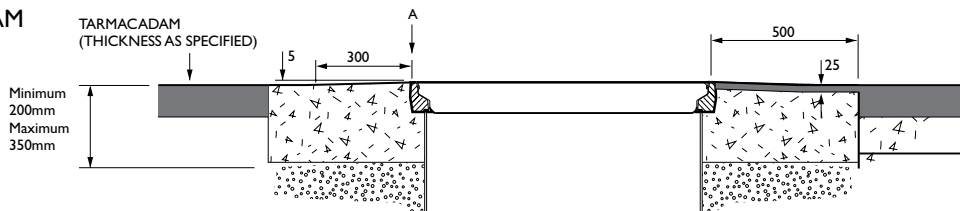
TYPICAL INSTALLATION

CONCRETE

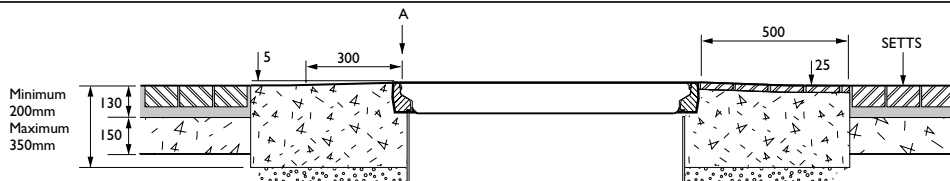


ALTERNATIVE INSTALLATION ADVICE

TARMACADAM



SETTS



1.2m diameter solid base chamber with a corbel, adjustable skirt, non-structural internal lid and round 900mm flat sealed cover with central manual dip cover. Round Tank Flange.

For reference purposes only. This drawing is not a specification. Order against product code only. To enable continuous improvement of our products, the designs and specifications are subject to change without notice.

FIBRELITE
 PART OF OPW A DOVER COMPANY