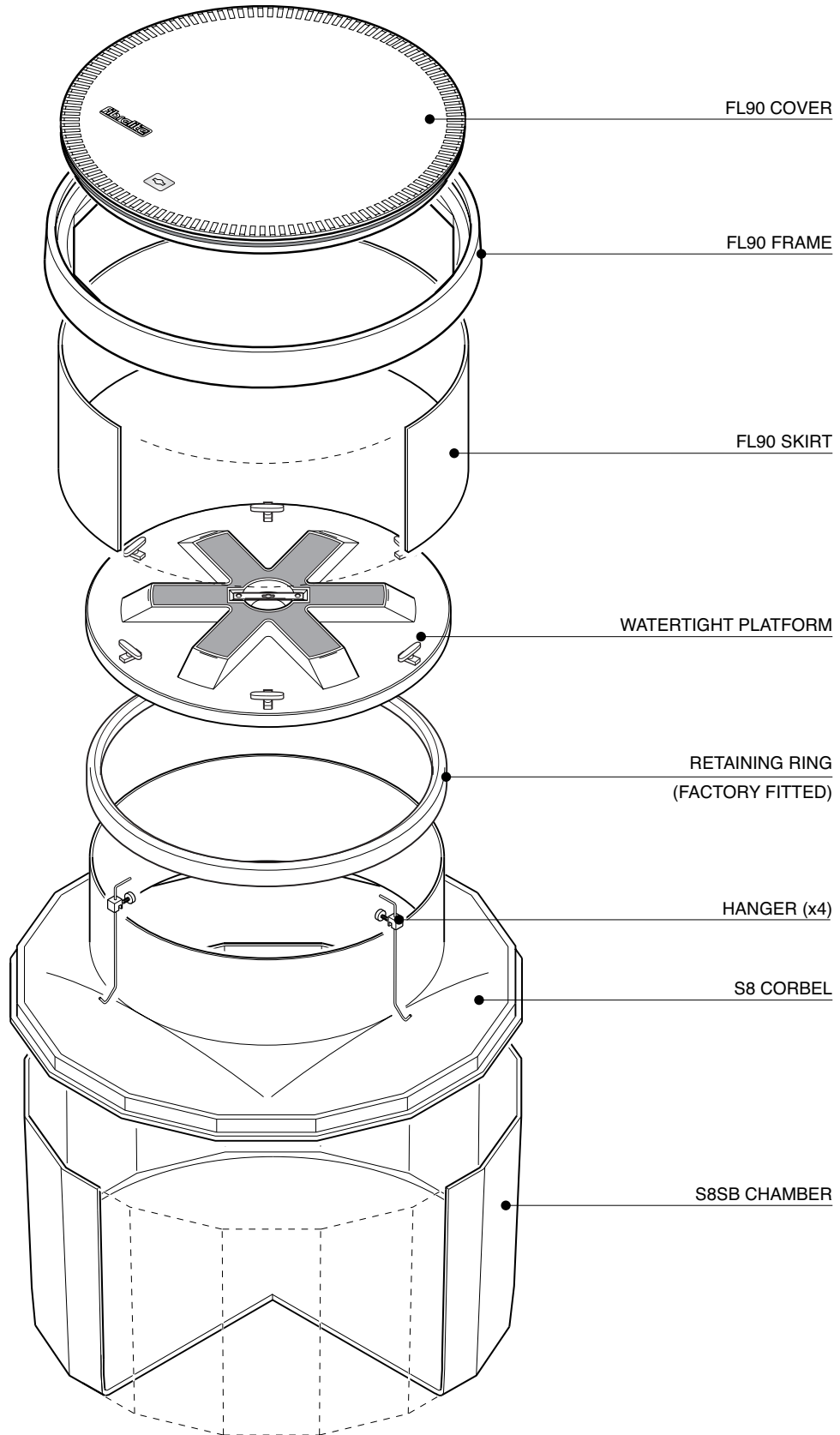


1.2m diameter solid base chamber with a sealed corbel, watertight platform, adjustable skirt, and round 900mm flat sealed cover.

For reference purposes only. This drawing is not a specification. Order against product code only. To enable continuous improvement of our products, the designs and specifications are subject to change without notice.

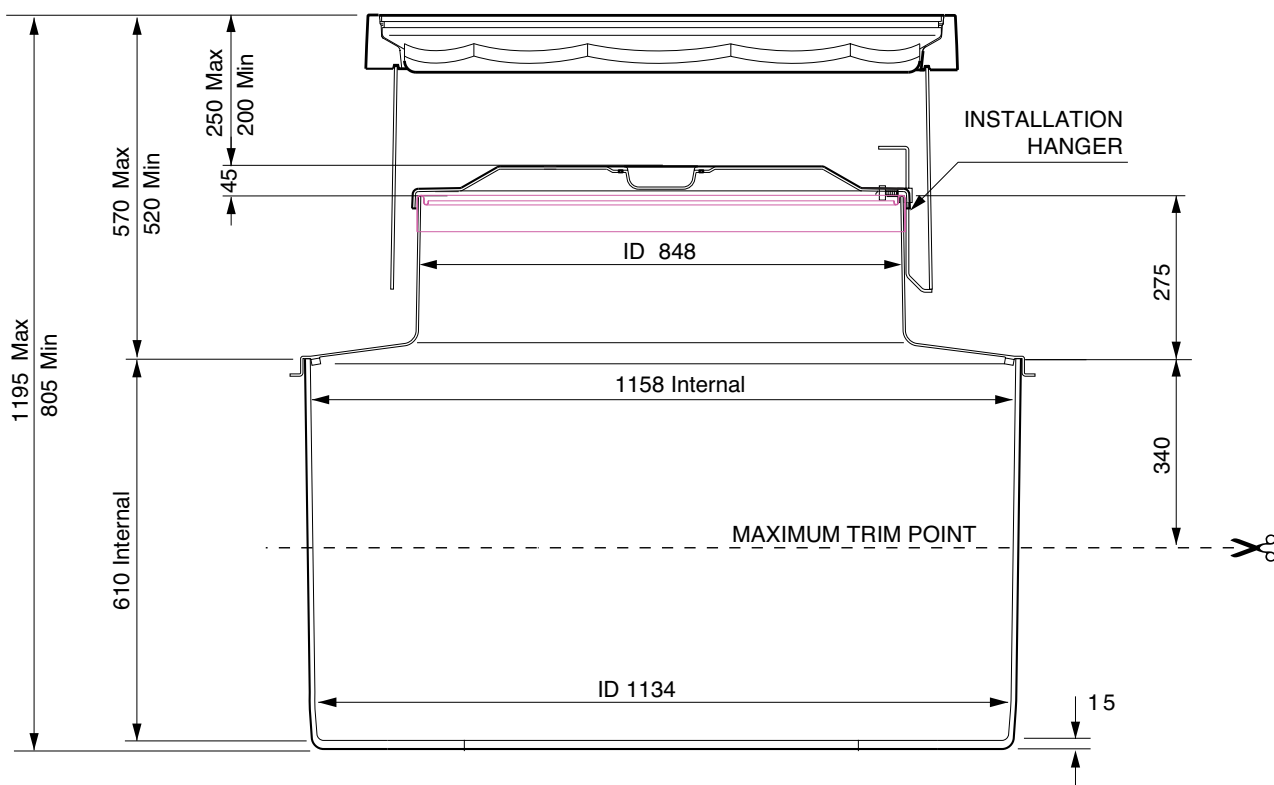
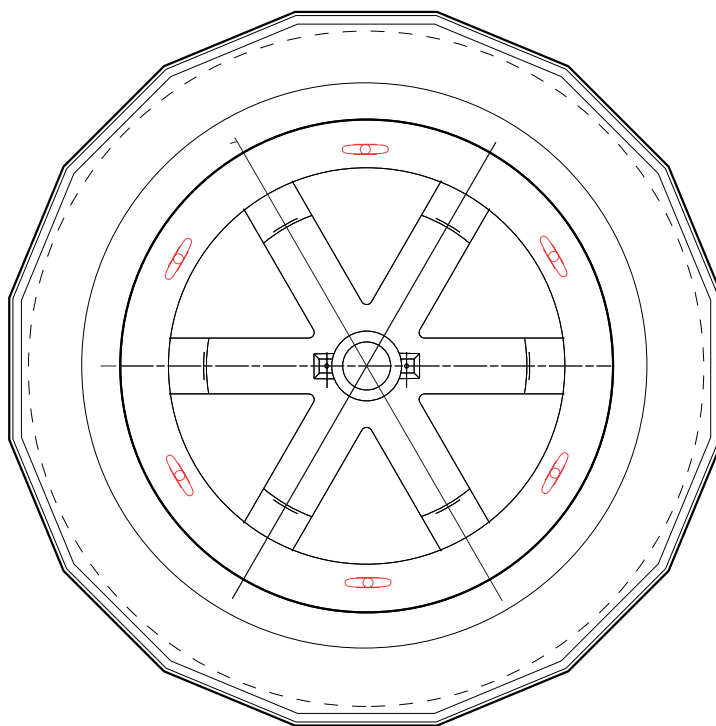
FIBRELITE 
PART OF OPW A DOVER COMPANY



1.2m diameter solid base chamber with a sealed corbel, watertight platform, adjustable skirt, and round 900mm flat sealed cover.

For reference purposes only. This drawing is not a specification. Order against product code only. To enable continuous improvement of our products, the designs and specifications are subject to change without notice.





1.2m diameter solid base chamber with a sealed corbel, watertight platform, adjustable skirt, and round 900mm flat sealed cover.

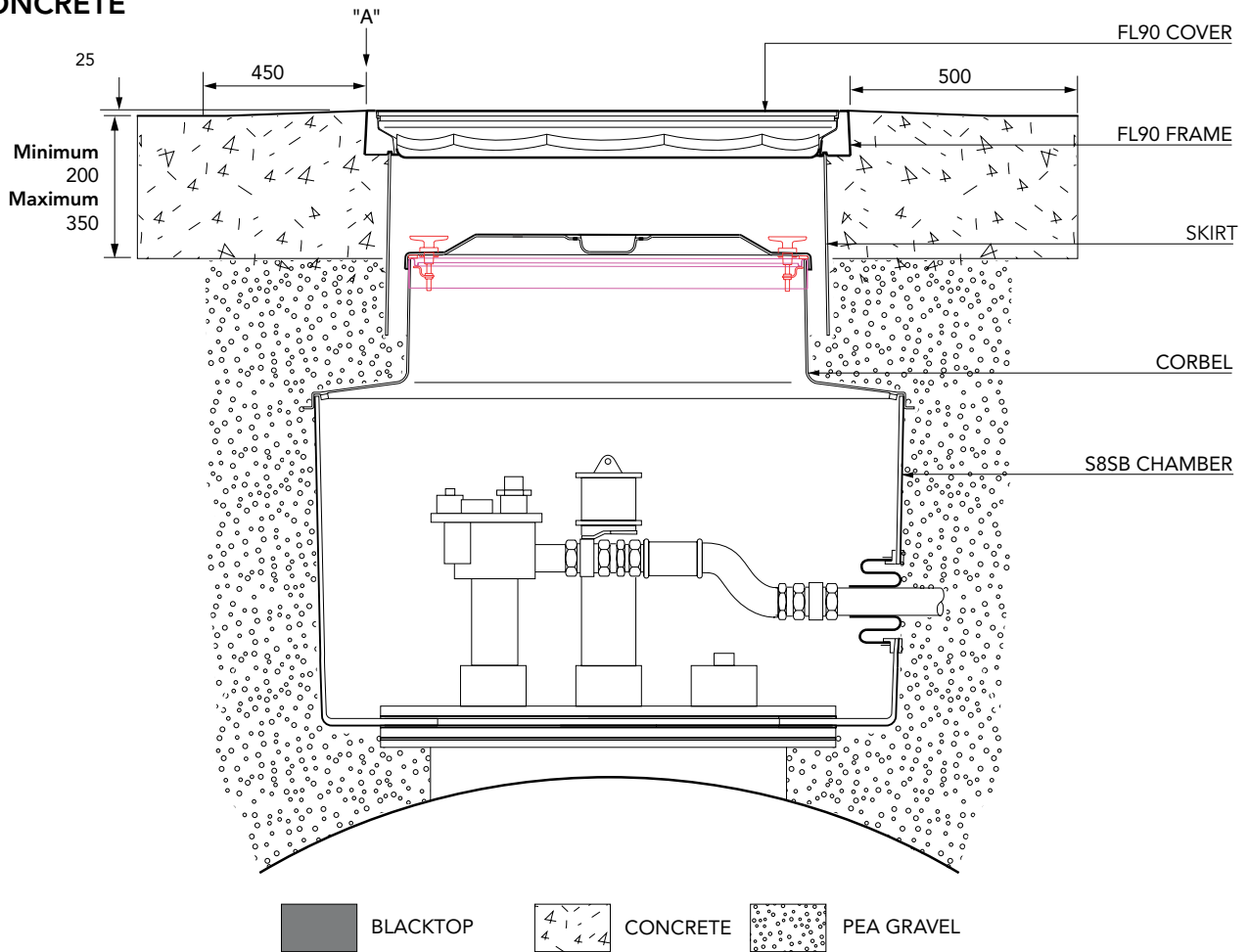
For reference purposes only. This drawing is not a specification. Order against product code only. To enable continuous improvement of our products, the designs and specifications are subject to change without notice.

FIBRELITE 
PART OF OPW A DOVER COMPANY

VERY IMPORTANT
 OUTER EDGE "A" OF FRAME SET 25
 ABOVE GENERAL GRADE AREA WITH
 CONCRETE RAMPED AWAY OVER 450mm.

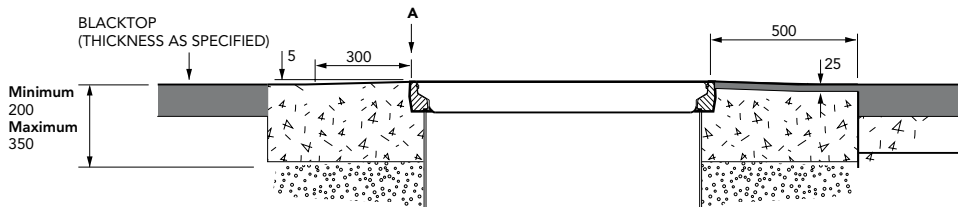
TYPICAL INSTALLATION

CONCRETE



ALTERNATIVE INSTALLATION ADVICE

BLACKTOP



1.2m diameter solid base chamber with a sealed corbel, watertight platform, adjustable skirt, and round 900mm flat sealed cover.

For reference purposes only. This drawing is not a specification. Order against product code only. To enable continuous improvement of our products, the designs and specifications are subject to change without notice.

