

## Off-centre (4 7/32") Product Inlet Models - Single Grade

### TW1 Dispenser - SF and HF

#### Dispenser Models

8752KXTW1	9152KXTW1
8753KXTW1	9153KXTW1
8852KXTW1	9852KXTW1
8853KXTW1	9853KXTW1

### TW1 Self-contained Pump - SF and HF

#### Dispenser Models

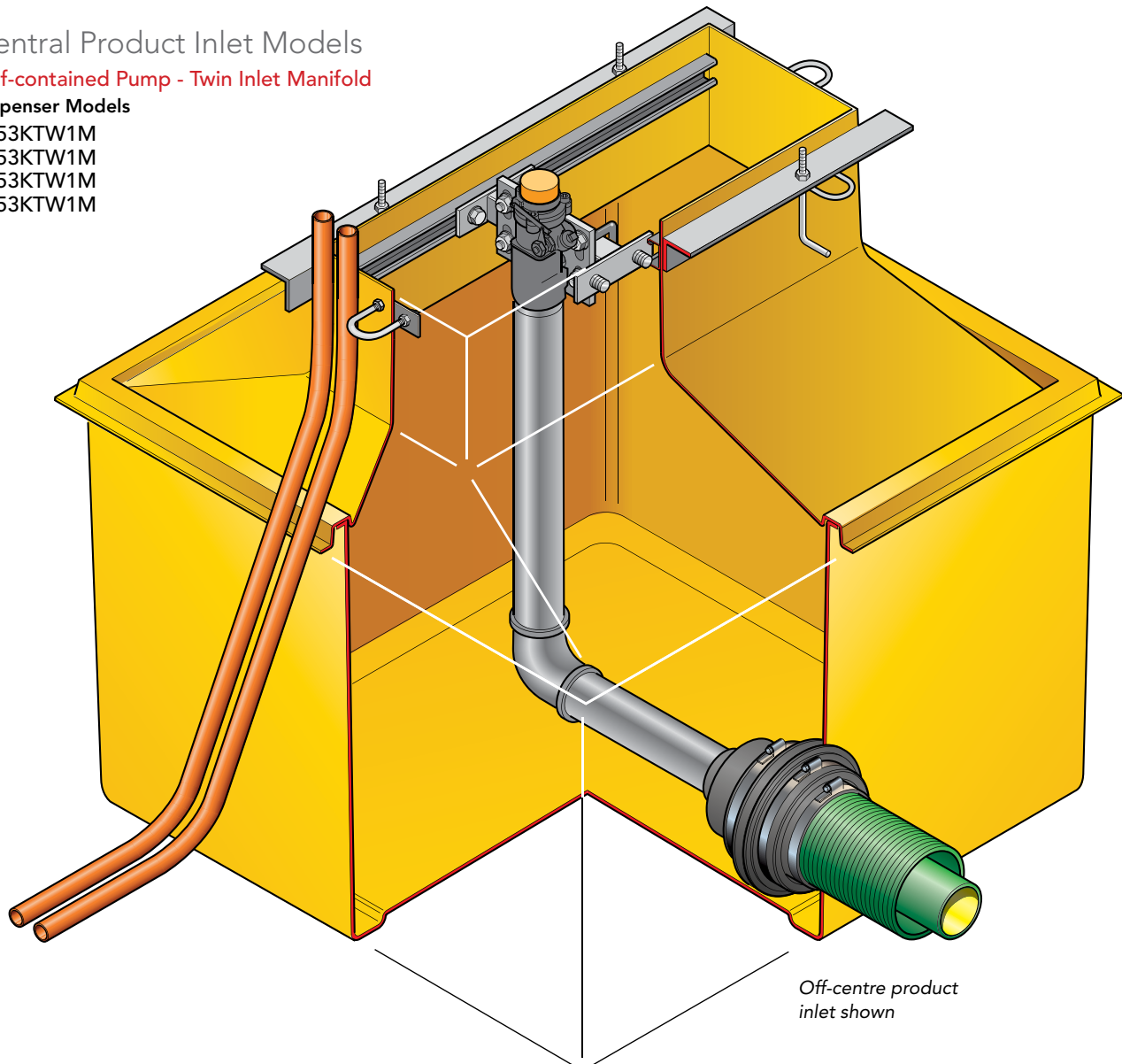
8752KTW1
8852KTW1
9152KTW1
9852KTW1

## Central Product Inlet Models

### Self-contained Pump - Twin Inlet Manifold

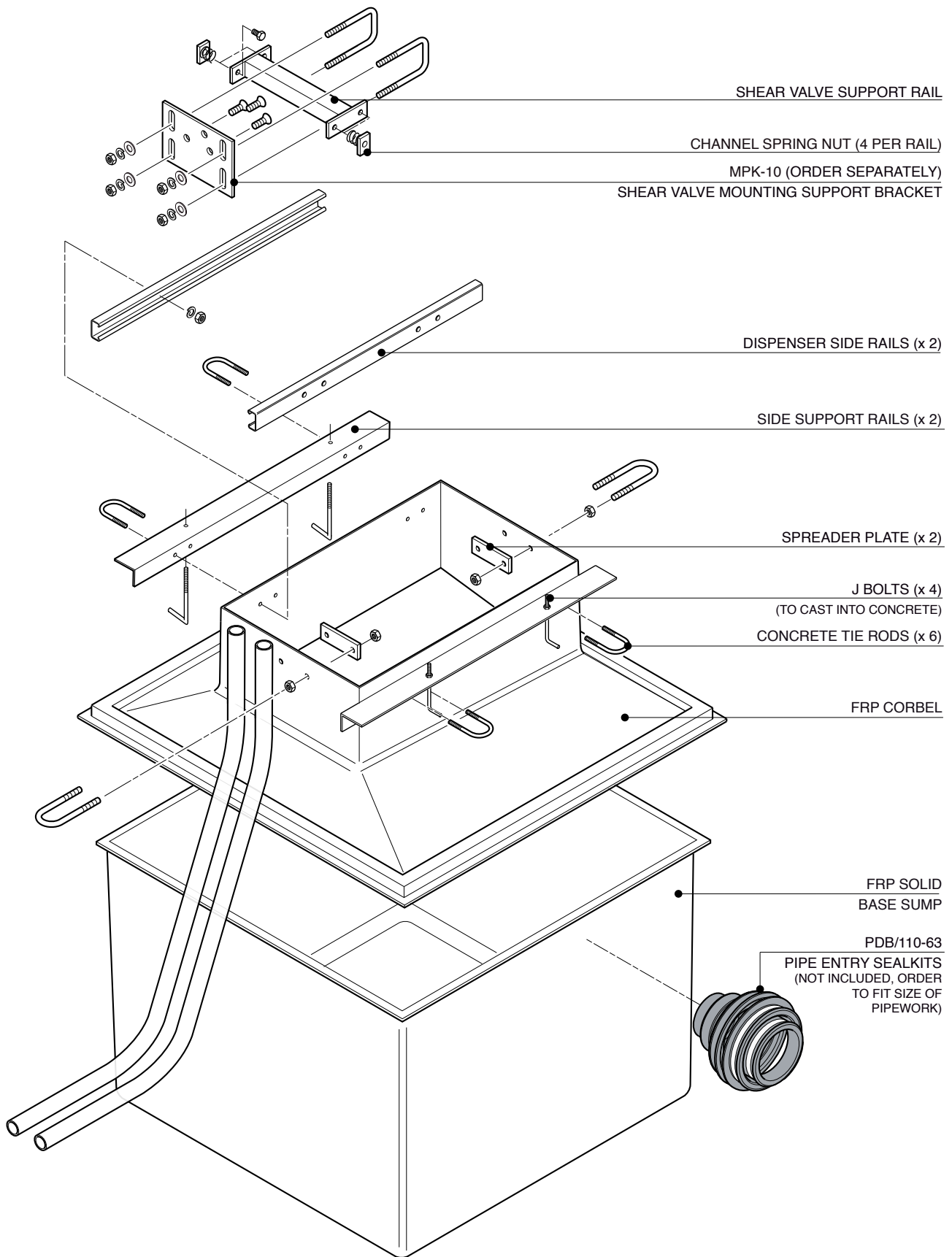
#### Dispenser Models

8753KTW1M
8853KTW1M
9153KTW1M
9853KTW1M



27" x 27" x 25 1/2" deep dispenser sump and corbel to fit Gasboy TW1 dispenser models. Includes dispenser support rails, 1 shear valve rail and all fixings.

For reference purposes only. This drawing is not a specification. Order against product code only. To enable continuous improvement of our products, the designs and specifications are subject to change without notice.



SHEAR VALVE SUPPORT RAIL

CHANNEL SPRING NUT (4 PER RAIL)

MPK-10 (ORDER SEPARATELY)

SHEAR VALVE MOUNTING SUPPORT BRACKET

DISPENSER SIDE RAILS (x 2)

SIDE SUPPORT RAILS (x 2)

SPREADER PLATE (x 2)

J BOLTS (x 4)

(TO CAST INTO CONCRETE)

CONCRETE TIE RODS (x 6)

FRP CORBEL

FRP SOLID  
BASE SUMP

PDB/110-63

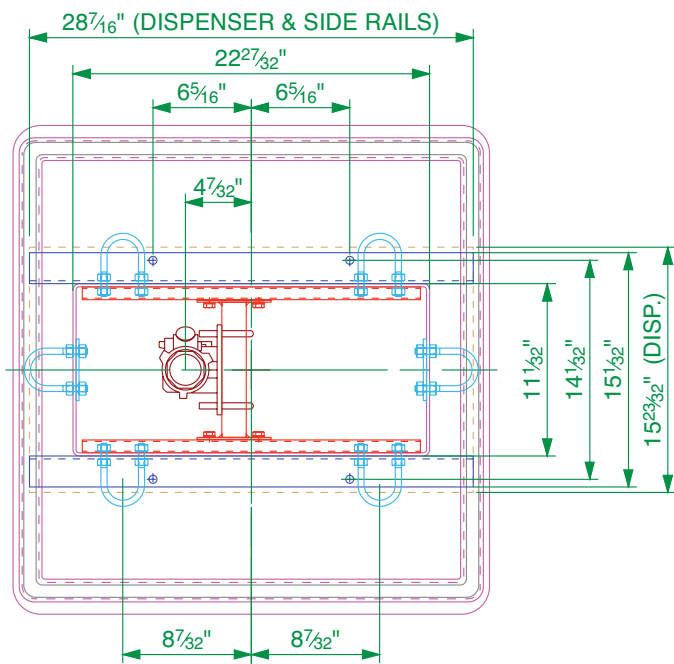
PIPE ENTRY SEALKITS  
(NOT INCLUDED, ORDER  
TO FIT SIZE OF  
PIPEWORK)

27" x 27" x 25 1/2" deep dispenser sump and corbel to fit Gasboy TW1 dispenser models. Includes dispenser support rails, 1 shear valve rail and all fixings.

For reference purposes only. This drawing is not a specification. Order against product code only. To enable continuous improvement of our products, the designs and specifications are subject to change without notice.

**FIBRELITE**   
PART OF OPW A DOWDER COMPANY

# Off-centre (4 7/32") Product Inlet Models - Single Grade



## TW1 Dispenser - SF and HF

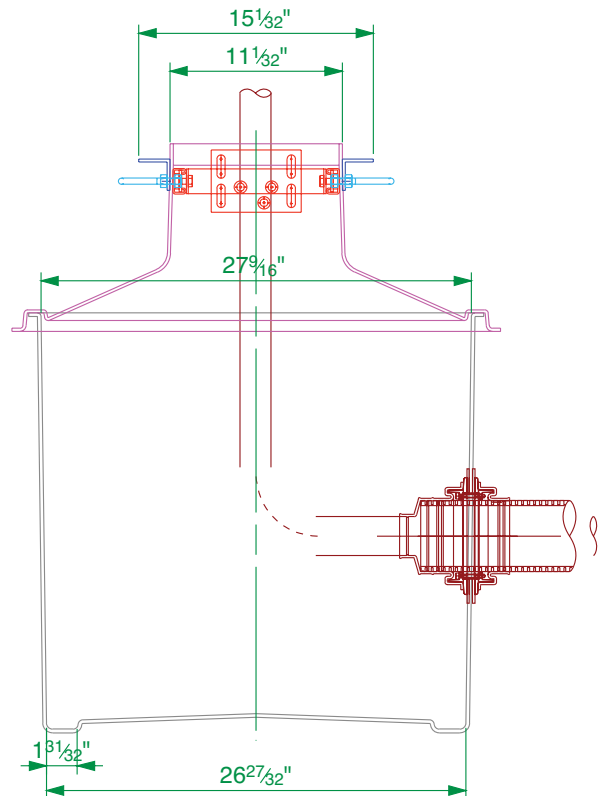
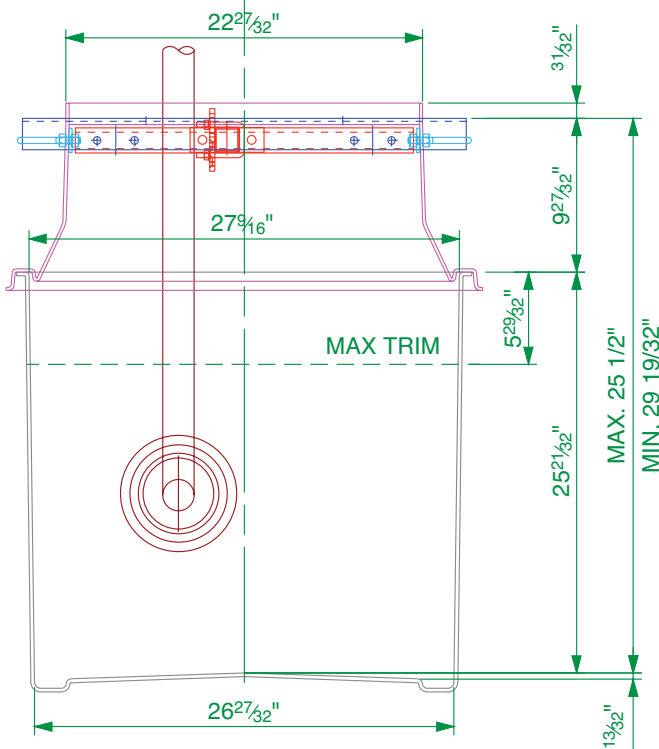
### Dispenser Models

8752KXTW1	9152KXTW1
8753KXTW1	9153KXTW1
8852KXTW1	9852KXTW1
8853KXTW1	9853KXTW1

## TW1 Self-contained Pump - SF and HF

### Dispenser Models

8752KTW1
8852KTW1
9152KTW1
9852KTW1

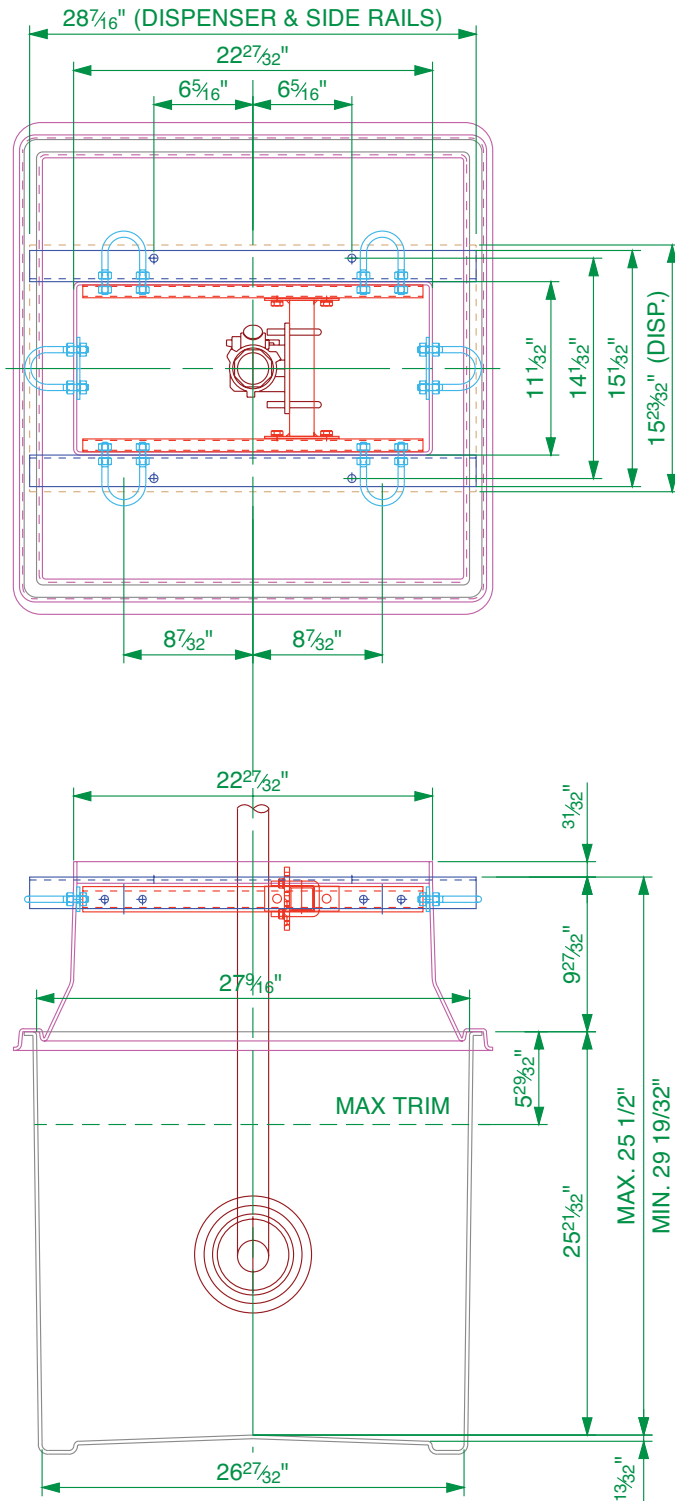


27" x 27" x 25 1/2" deep dispenser sump and corbel to fit Gasboy TW1 dispenser models. Includes dispenser support rails, 1 shear valve rail and all fixings.

For reference purposes only. This drawing is not a specification. Order against product code only. To enable continuous improvement of our products, the designs and specifications are subject to change without notice.

**FIBRELITE**   
PART OF OPW A DOVER COMPANY

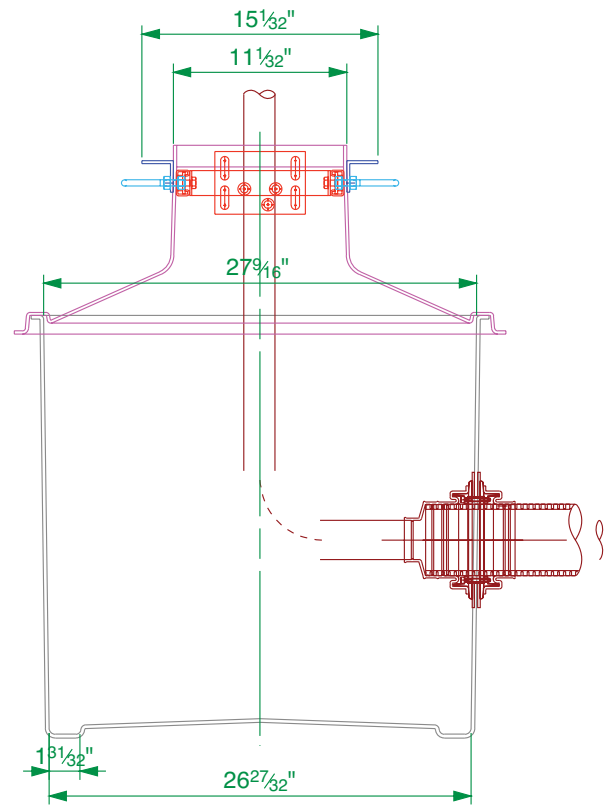
# Central Product Inlet Models



## Self-contained Pump - Twin Inlet Manifold

### Dispenser Models

- 8753KTW1M
- 8853KTW1M
- 9153KTW1M
- 9853KTW1M



27" x 27" x 25 1/2" deep dispenser sump and corbel to fit Gasboy TW1 dispenser models. Includes dispenser support rails, 1 shear valve rail and all fixings.

For reference purposes only. This drawing is not a specification. Order against product code only. To enable continuous improvement of our products, the designs and specifications are subject to change without notice.

