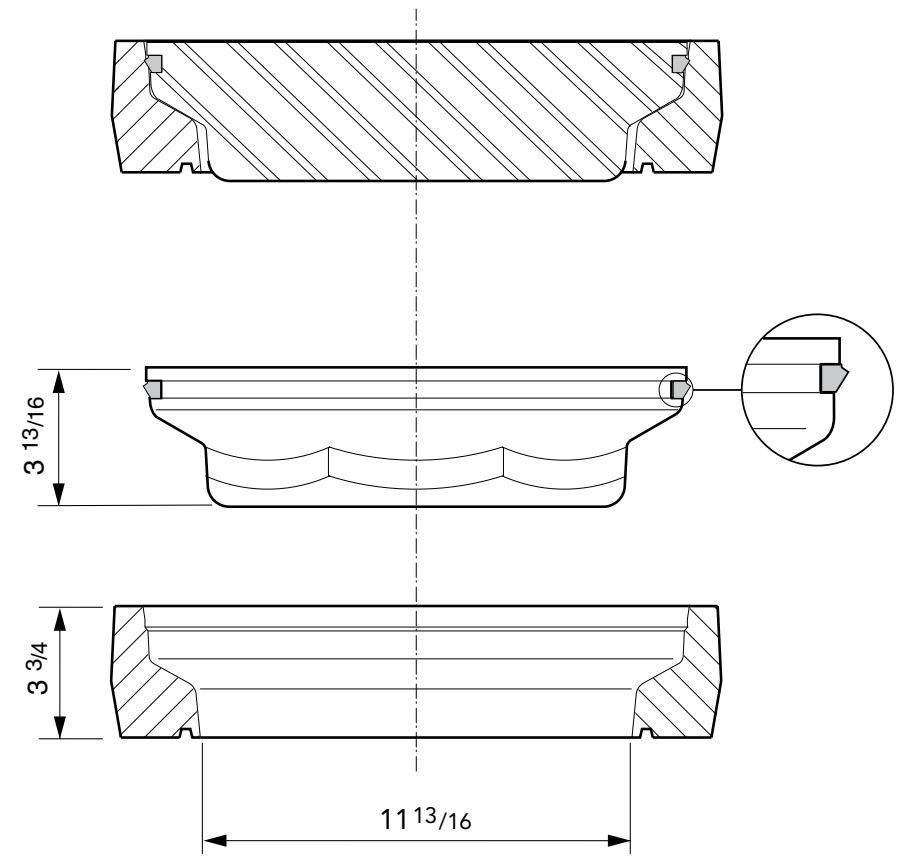
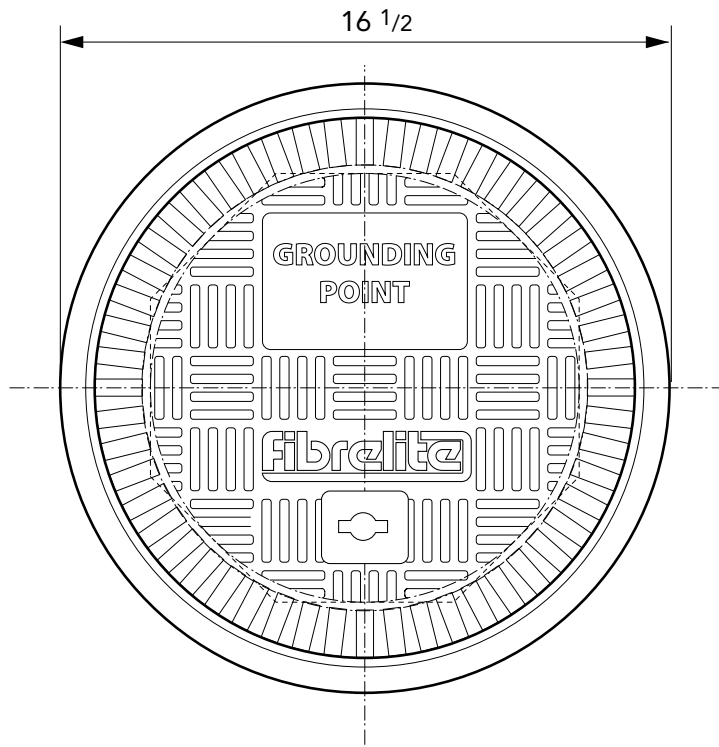


12" diameter flat sealed composite cover with "Grounding Point" ID logo and composite frame.

For reference purposes only. This drawing is not a specification. Order against product code only. To enable continuous improvement of our products, the designs and specifications are subject to change without notice.





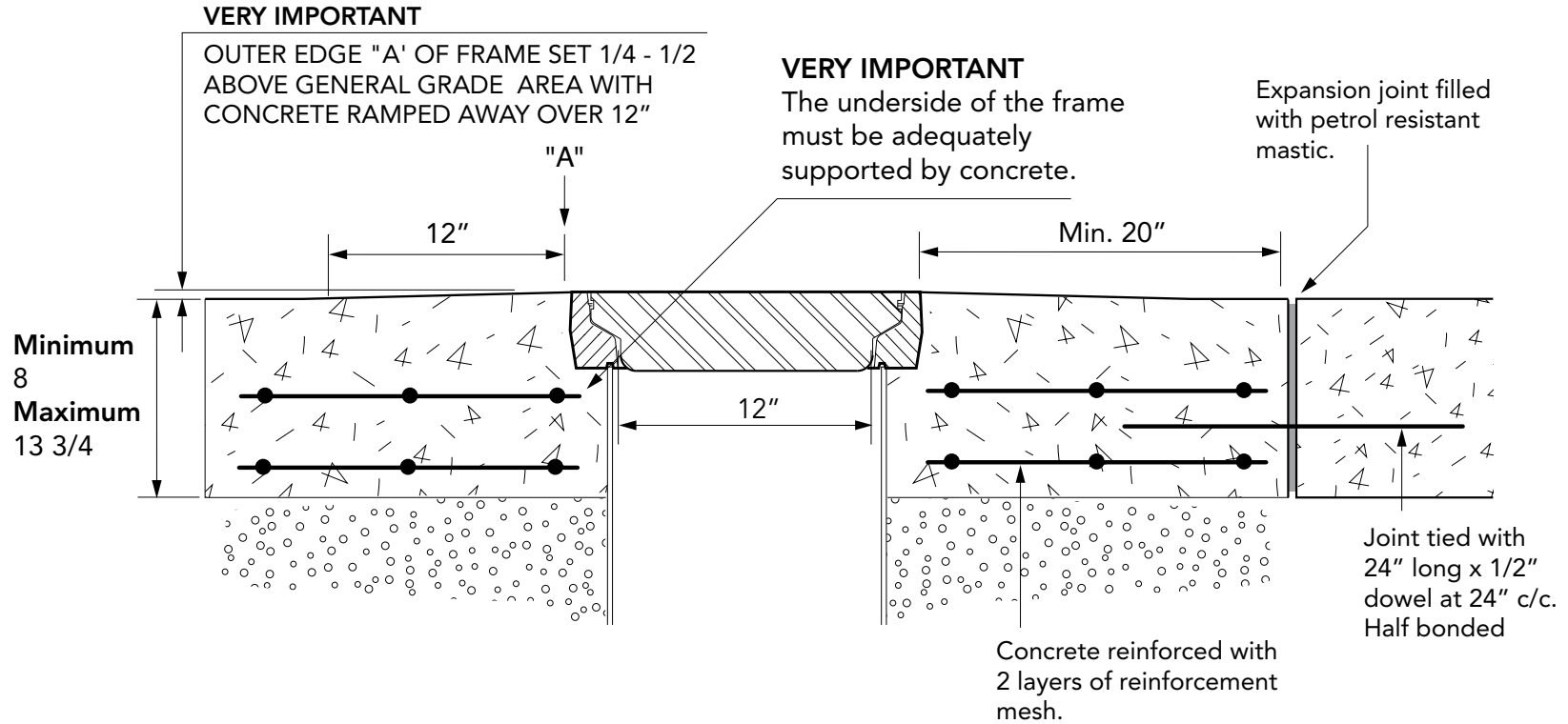
Load Rating	Cover Weight	Frame Weight
89,000lbs	13lbs	8lbs

12" diameter flat sealed composite cover with "Grounding Point" ID logo and composite frame.

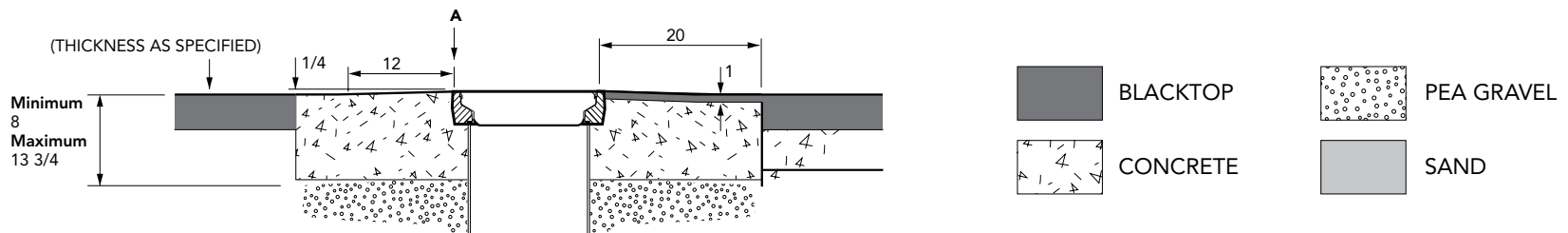
For reference purposes only. This drawing is not a specification. Order against product code only. To enable continuous improvement of our products, the designs and specifications are subject to change without notice.



# CONCRETE



# BLACKTOP



12" diameter flat sealed composite cover with "Grounding Point" ID logo and composite frame.

For reference purposes only. This drawing is not a specification. Order against product code only. To enable continuous improvement of our products, the designs and specifications are subject to change without notice.

