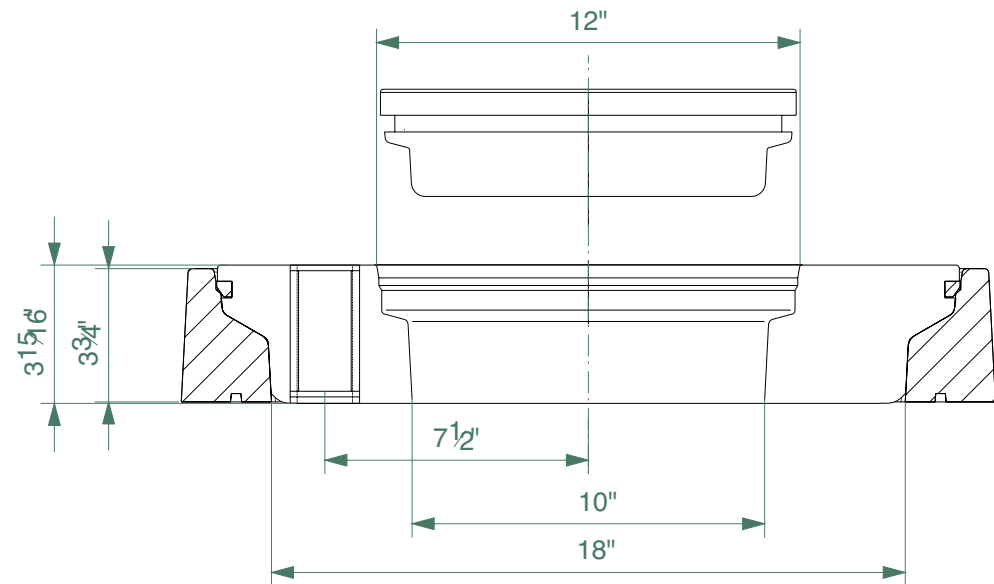
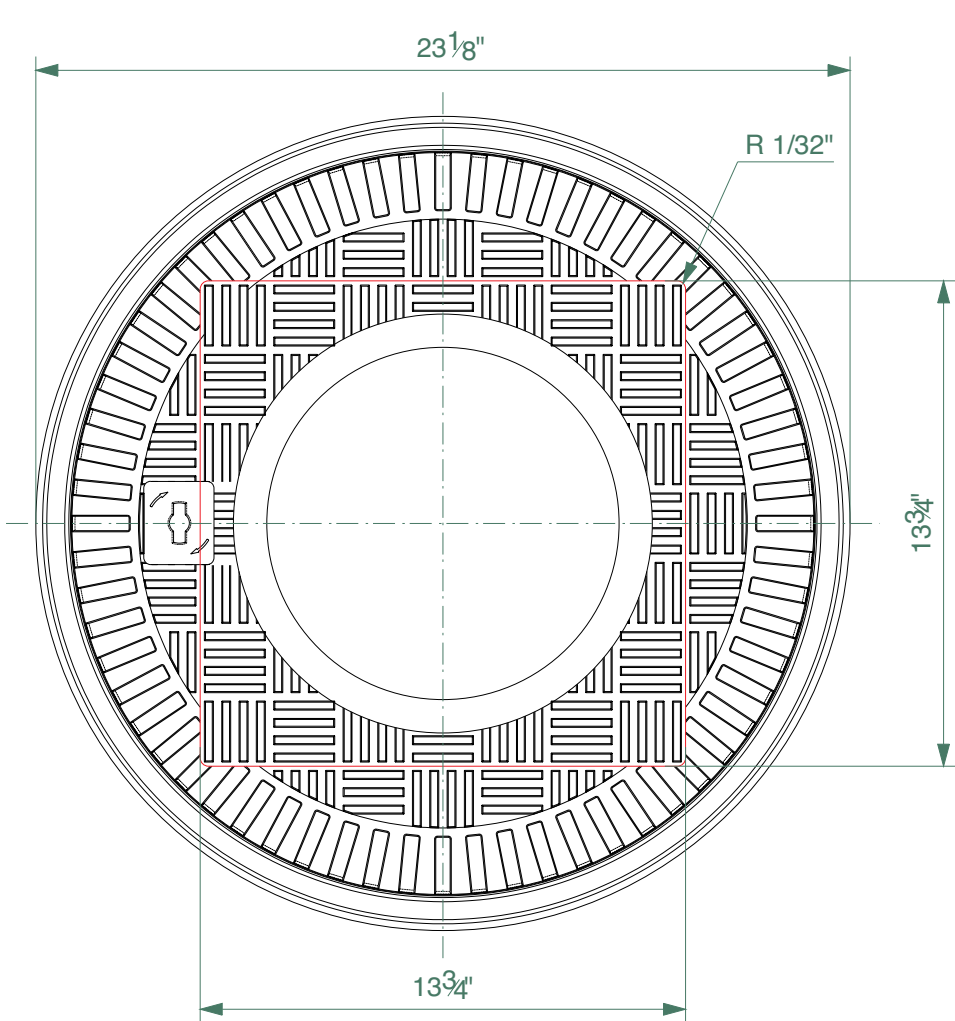


18" diameter flat sealed composite cover with a central fill port and frame.

For reference purposes only. This drawing is not a specification. Order against product code only. To enable continuous improvement of our products, the designs and specifications are subject to change without notice.

FIBRELITE 
PART OF OPW A  DOVER COMPANY



Load Rating	Cover Weight	Frame Weight
LD	--	11 lb
SD	--	11 lb
HD	--	11 lb

18" diameter flat sealed composite cover with a central fill port and frame.

For reference purposes only. This drawing is not a specification. Order against product code only. To enable continuous improvement of our products, the designs and specifications are subject to change without notice.

FIBRELITE 
PART OF OPW A DOWDER COMPANY

CONCRETE

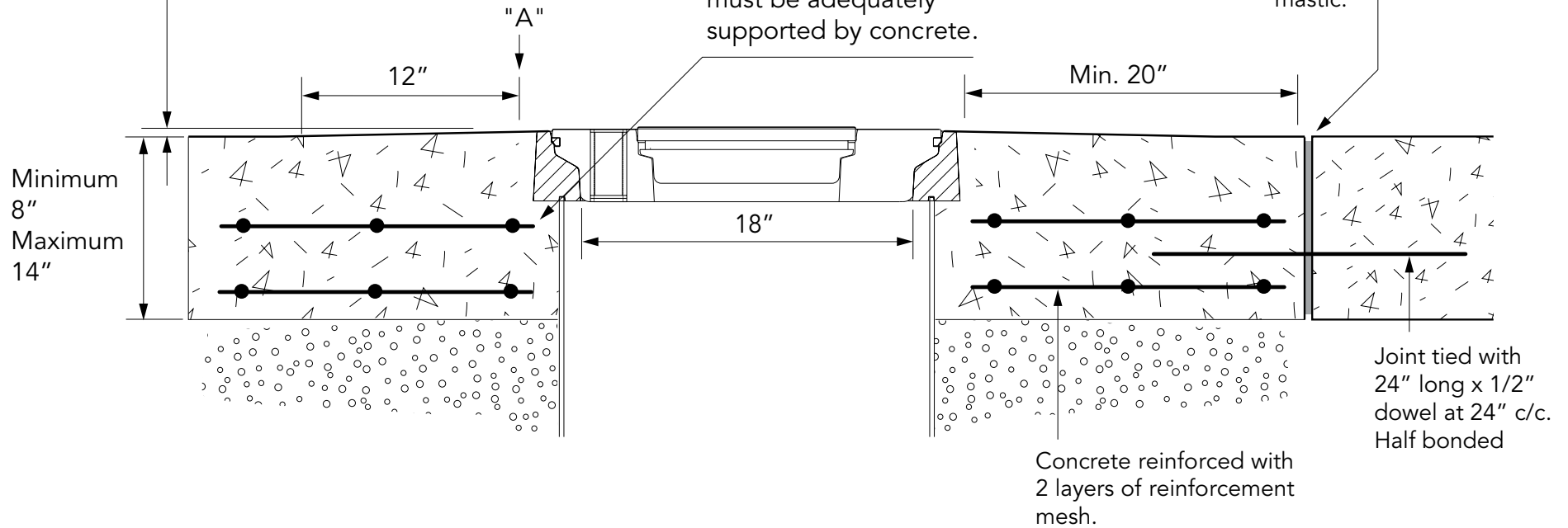
VERY IMPORTANT

OUTER EDGE "A" OF FRAME SET 1/2" ABOVE GENERAL GRADE AREA WITH CONCRETE RAMPED AWAY OVER 12"

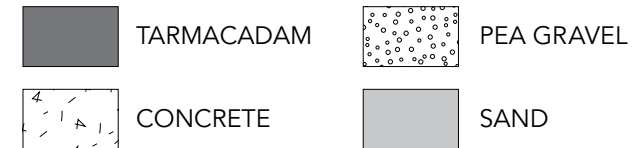
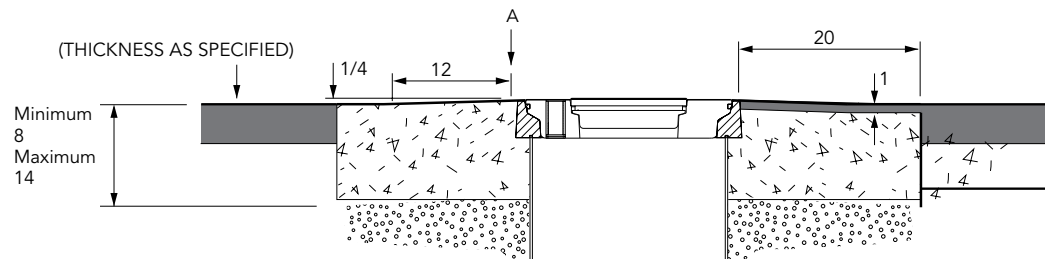
VERY IMPORTANT

The underside of the frame must be adequately supported by concrete.

Expansion joint filled with petrol resistant mastic.



BLACKTOP



18" diameter flat sealed composite cover with a central fill port and frame.

For reference purposes only. This drawing is not a specification. Order against product code only. To enable continuous improvement of our products, the designs and specifications are subject to change without notice.

