

30" x 24" raised composite cover with an aluminum frame.

For reference purposes only. This drawing is not a specification. Order against product code only. To enable continuous improvement of our products, the designs and specifications are subject to change without notice.

FIBRELITE 
PART OF OPW A  DOVER COMPANY

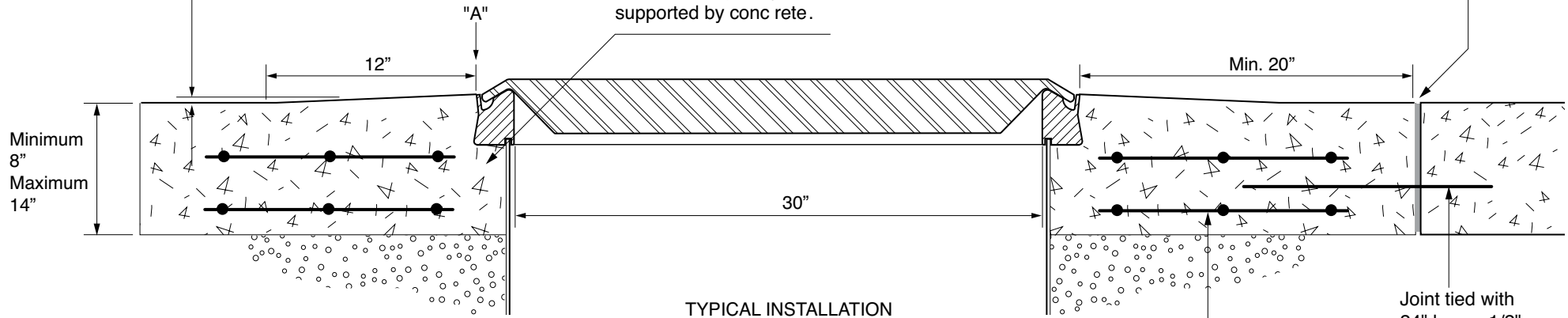
CONCRETE

VERY IMPORTANT

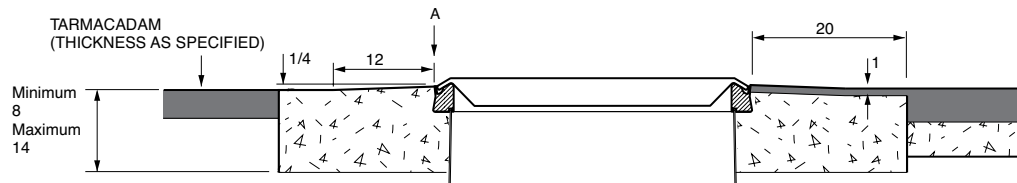
OUTER EDGE "A" OF FRAME SET 1/4" - 1/2" ABOVE GENERAL GRADE AREA WITH CONCRETE RAMPED AWAY OVER 12"

VERY IMPORTANT
The underside of the frame must be adequately supported by conc rete.

Expansion joint filled with petrol resistant mastic.



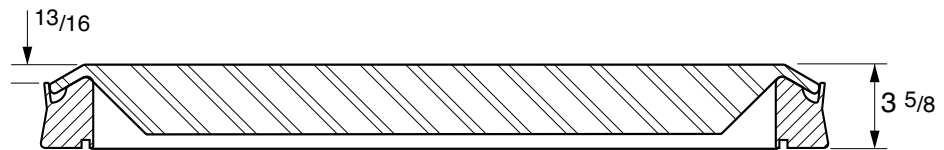
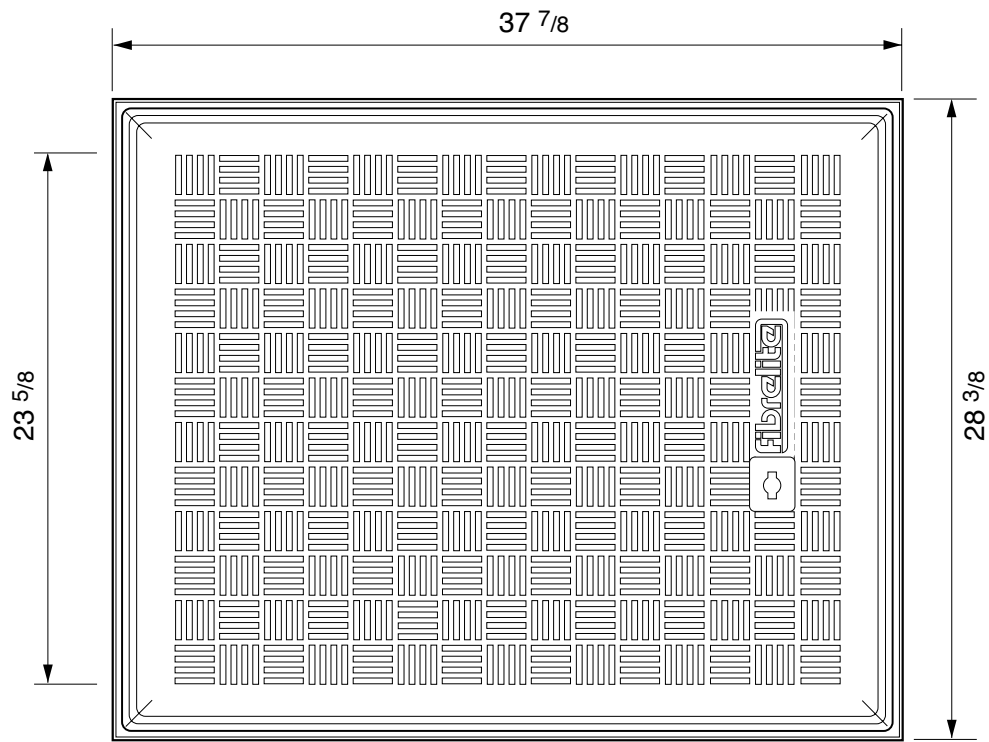
TARMACADAM



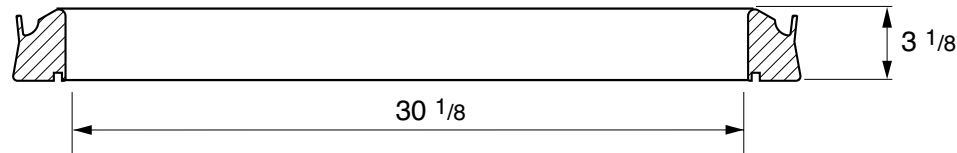
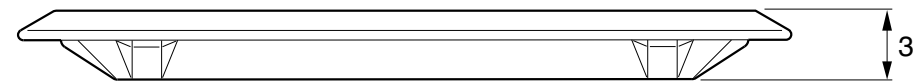
30" x 24" raised composite cover with an aluminum frame.

For reference purposes only. This drawing is not a specification. Order against product code only. To enable continuous improvement of our products, the designs and specifications are subject to change without notice.





Load Rating	Cover Weight	Frame Weight
SD	50.7 lbs	19.8 lbs



30" x 24" raised composite cover with an aluminum frame.

For reference purposes only. This drawing is not a specification. Order against product code only. To enable continuous improvement of our products, the designs and specifications are subject to change without notice.

