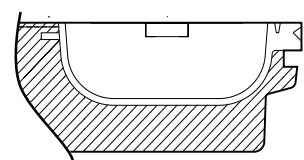
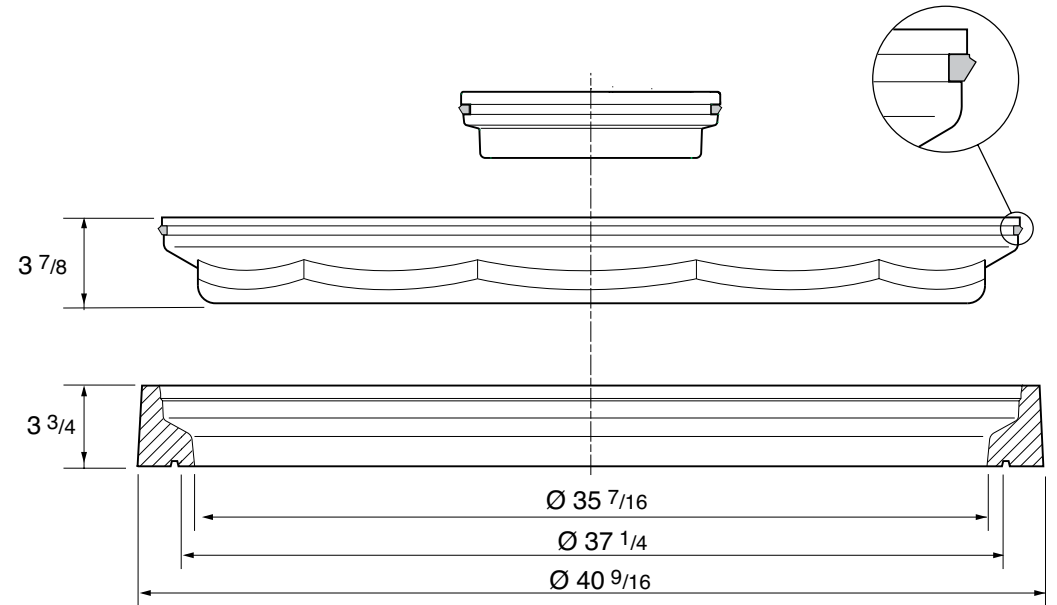
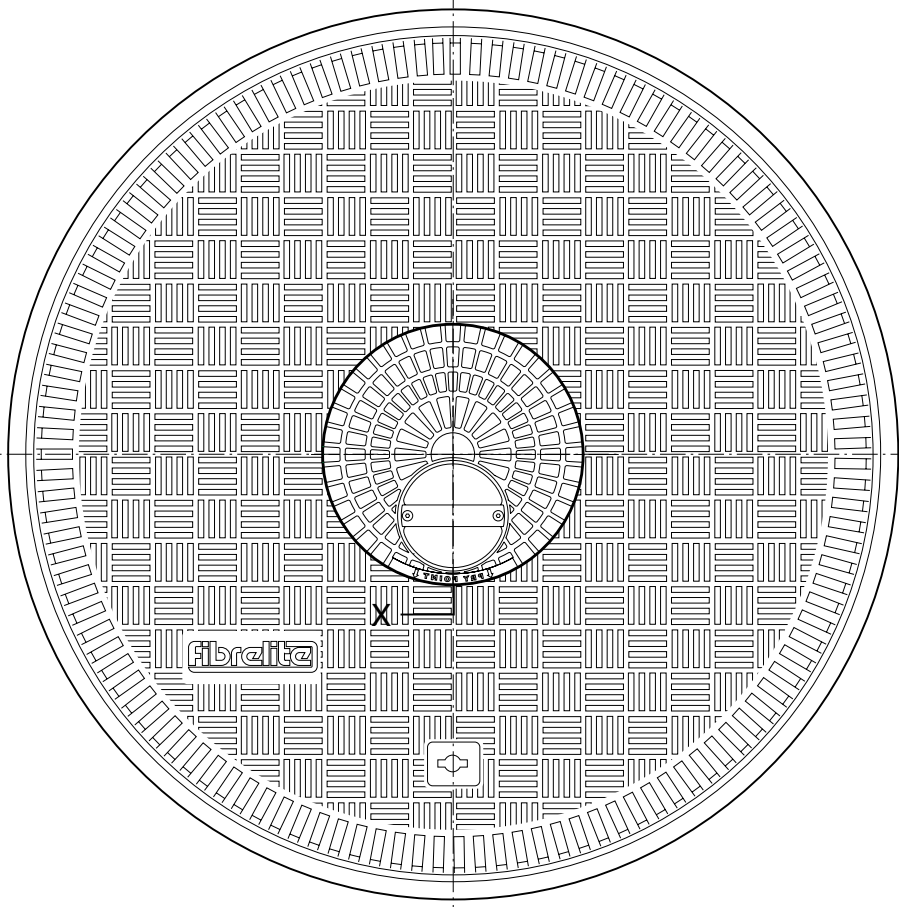
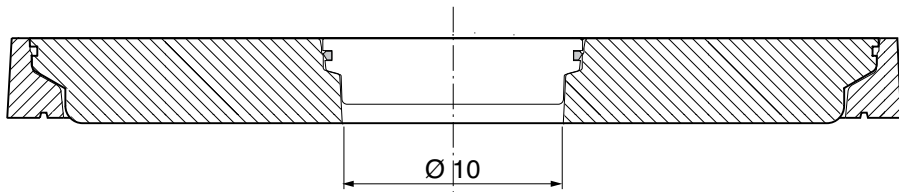


36" dia. Watertight flat sealed composite cover and frame, with removable central dip cap (7" dia.)

For reference purposes only. This drawing is not a specification. Order against product code only. To enable continuous improvement of our products, the designs and specifications are subject to change without notice.





SECTION X - X
HANDLE BOWL

Load Rating	Cover Weight	Port Cover Weight	Frame Weight
SD	84 lbs	7 lbs	20 lbs
HD	106 lbs	7 lbs	20 lbs

36" dia. Watertight flat sealed composite cover and frame, with removable central dip cap (7" dia.)

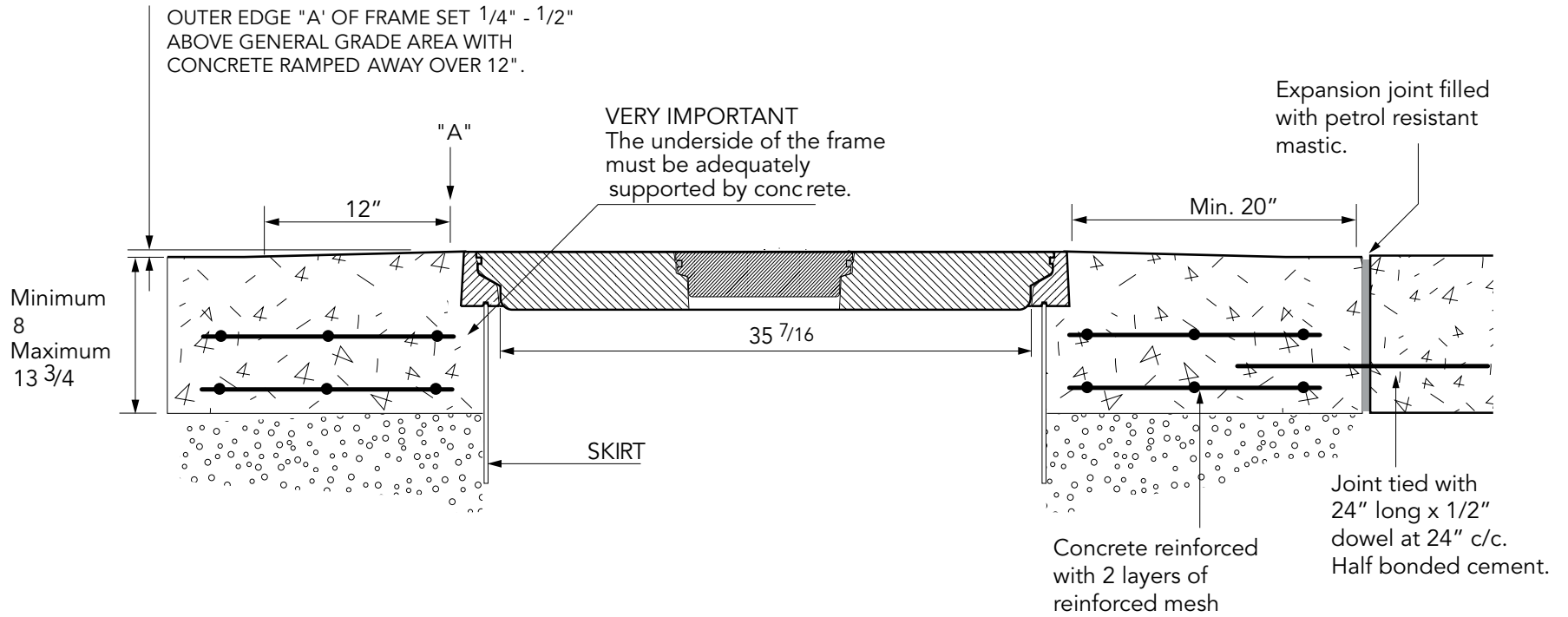
For reference purposes only. This drawing is not a specification. Order against product code only. To enable continuous improvement of our products, the designs and specifications are subject to change without notice.


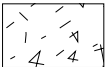
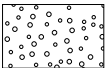


CONCRETE

VERY IMPORTANT

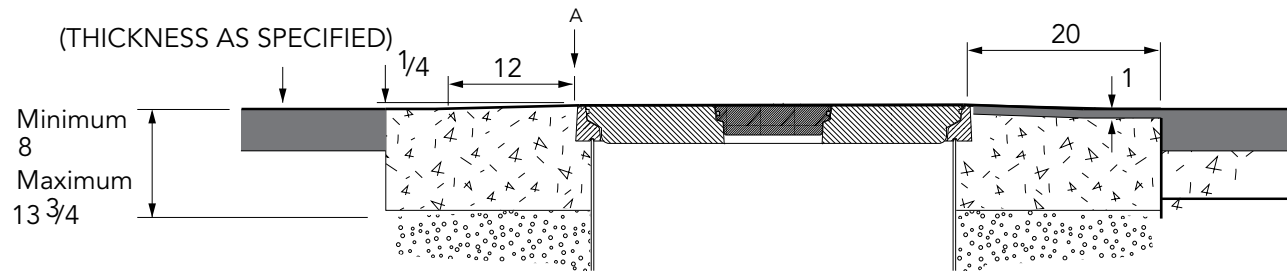
OUTER EDGE "A" OF FRAME SET 1/4" - 1/2" ABOVE GENERAL GRADE AREA WITH CONCRETE RAMPED AWAY OVER 12".



-  BLACKTOP
-  CONCRETE
-  PEA GRAVEL

BLACKTOP

(THICKNESS AS SPECIFIED)



36" dia. Watertight flat sealed composite cover and frame, with removable central dip cap (7" dia.)

For reference purposes only. This drawing is not a specification. Order against product code only. To enable continuous improvement of our products, the designs and specifications are subject to change without notice.

