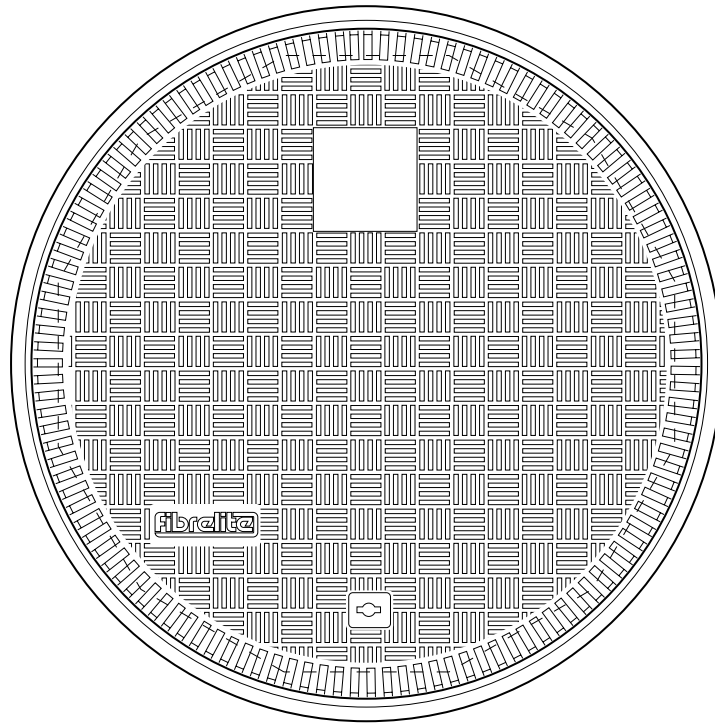
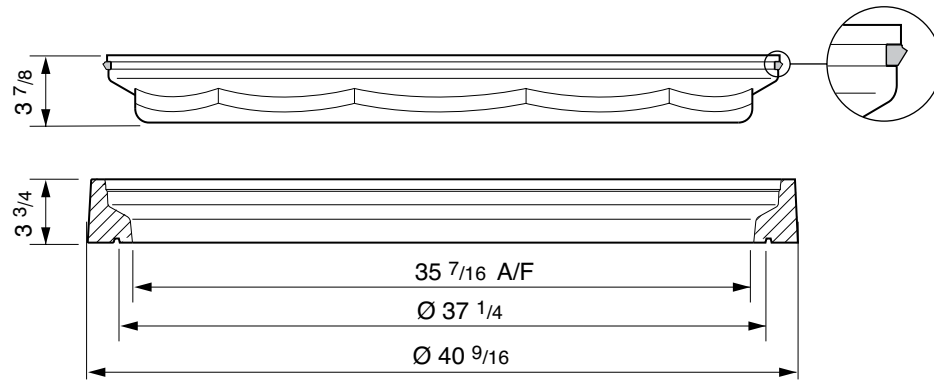




36" diameter flat sealed composite cover with composite frame.

For reference purposes only. This drawing is not a specification. Order against product code only. To enable continuous improvement of our products, the designs and specifications are subject to change without notice.

FIBRELITE 
PART OF OPW A DOVER COMPANY



Load Rating	Cover Weight	Frame Weight
LD	46 lbs	10 lbs
SD	75 lbs	10 lbs
HD	104 lbs	10 lbs

36" diameter flat sealed composite cover with composite frame.

For reference purposes only. This drawing is not a specification. Order against product code only. To enable continuous improvement of our products, the designs and specifications are subject to change without notice.

FIBRELITE 
PART OF OPW A DOVER COMPANY

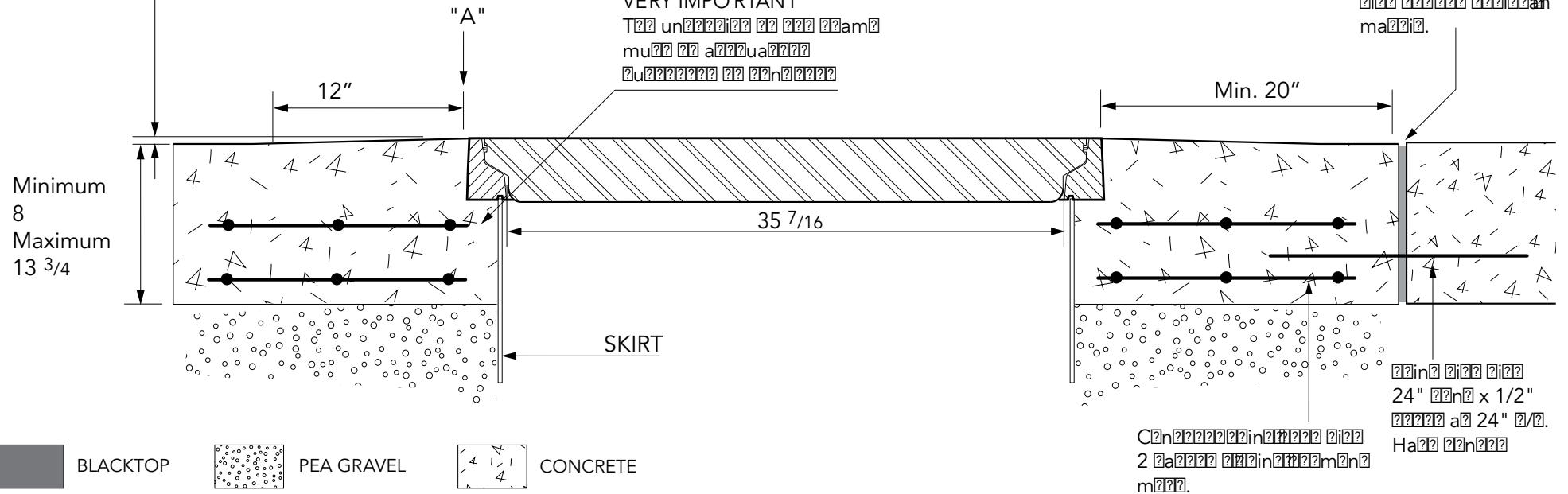
CONCRETE

VERY IMPORTANT

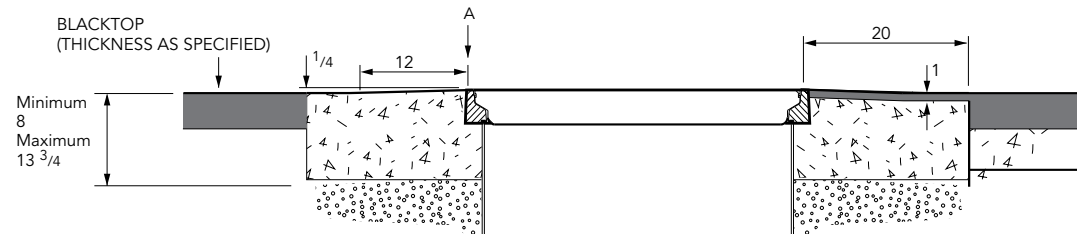
OUTER EDGE "A" OF FRAME SET 1/4" - 1/2" ABOVE GENERAL GRADE AREA WITH CONCRETE RAMPED AWAY OVER 12".

VERY IMPORTANT
 TYPICAL UNFINISHED SIDE VIEW
 MUST BE AS SHOWN
 TO AVOID DAMAGE

EXPLANATION
 SEE DRAWING
 MATTER.



BLACKTOP



36" diameter flat sealed composite cover with composite frame.

For reference purposes only. This drawing is not a specification. Order against product code only. To enable continuous improvement of our products, the designs and specifications are subject to change without notice.

FIBRELITE 
 PART OF OPW A DOVER COMPANY