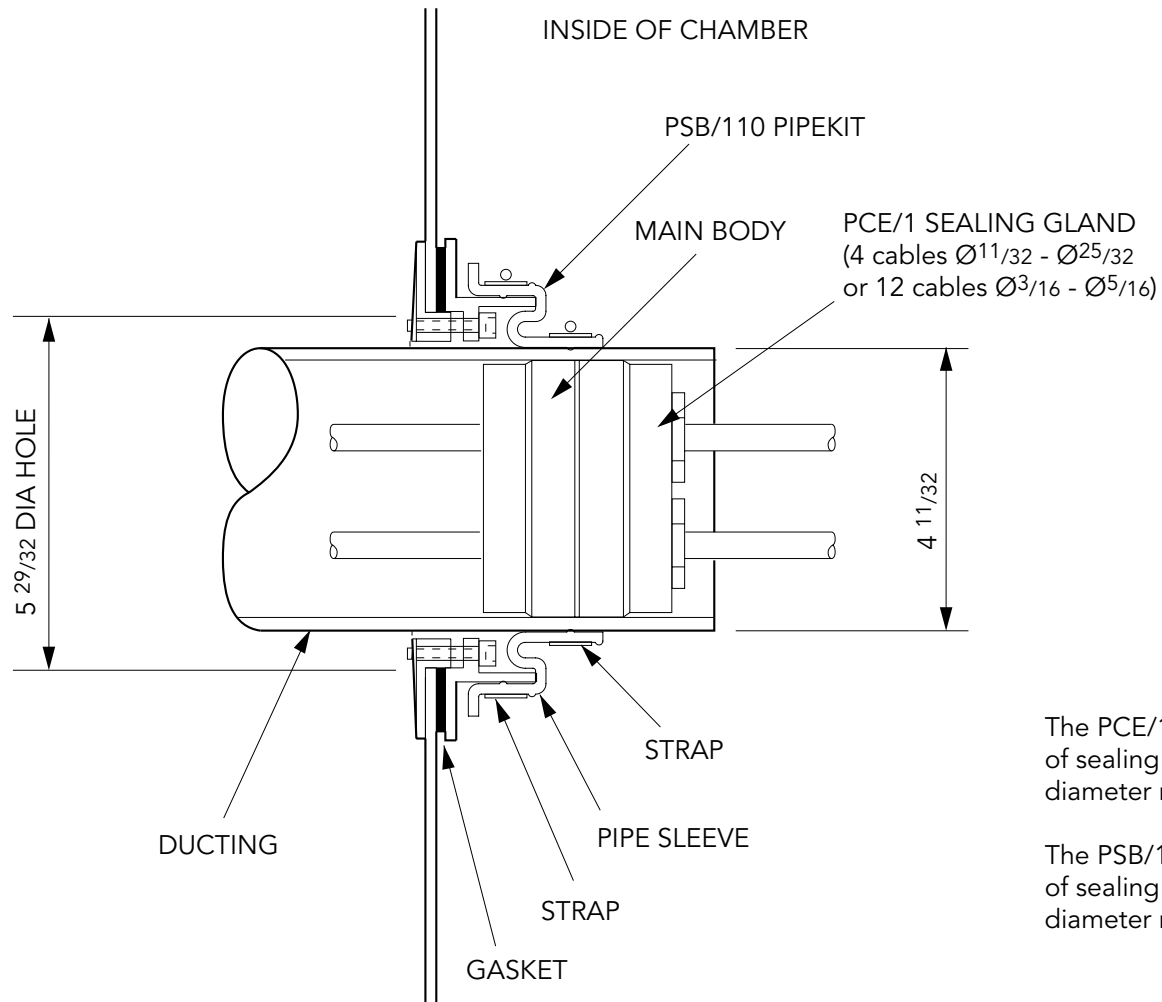


411/32" dia. pipe entry seal kit (PSB/110), with sealtight compression gland. Sealing gland fits 4 cables (11/32" - 25/32") or 12 cables (5/32"-5/16"). Internal sealing gland can be purchased separately. (PCE/1)

For reference purposes only. This drawing is not a specification. Order against product code only. To enable continuous improvement of our products, the designs and specifications are subject to change without notice.





The PCE/1 sealing body is capable of sealing to ducts with an internal diameter ranging from $3 \frac{13}{16}$ to $4 \frac{11}{32}$.

The PSB/110 pipe seal kit is capable of sealing to ducts with a external diameter ranging from $3 \frac{7}{8}$ to $4 \frac{9}{16}$.

411/32" dia. pipe entry seal kit (PSB/110), with sealtight compression gland. Sealing gland fits 4 cables (11/32" - 25/32") or 12 cables (5/32"-5/16"). Internal sealing gland can be purchased separately. (PCE/1)

For reference purposes only. This drawing is not a specification. Order against product code only. To enable continuous improvement of our products, the designs and specifications are subject to change without notice.

FIBRELITE 
PART OF OPW A DOVER COMPANY