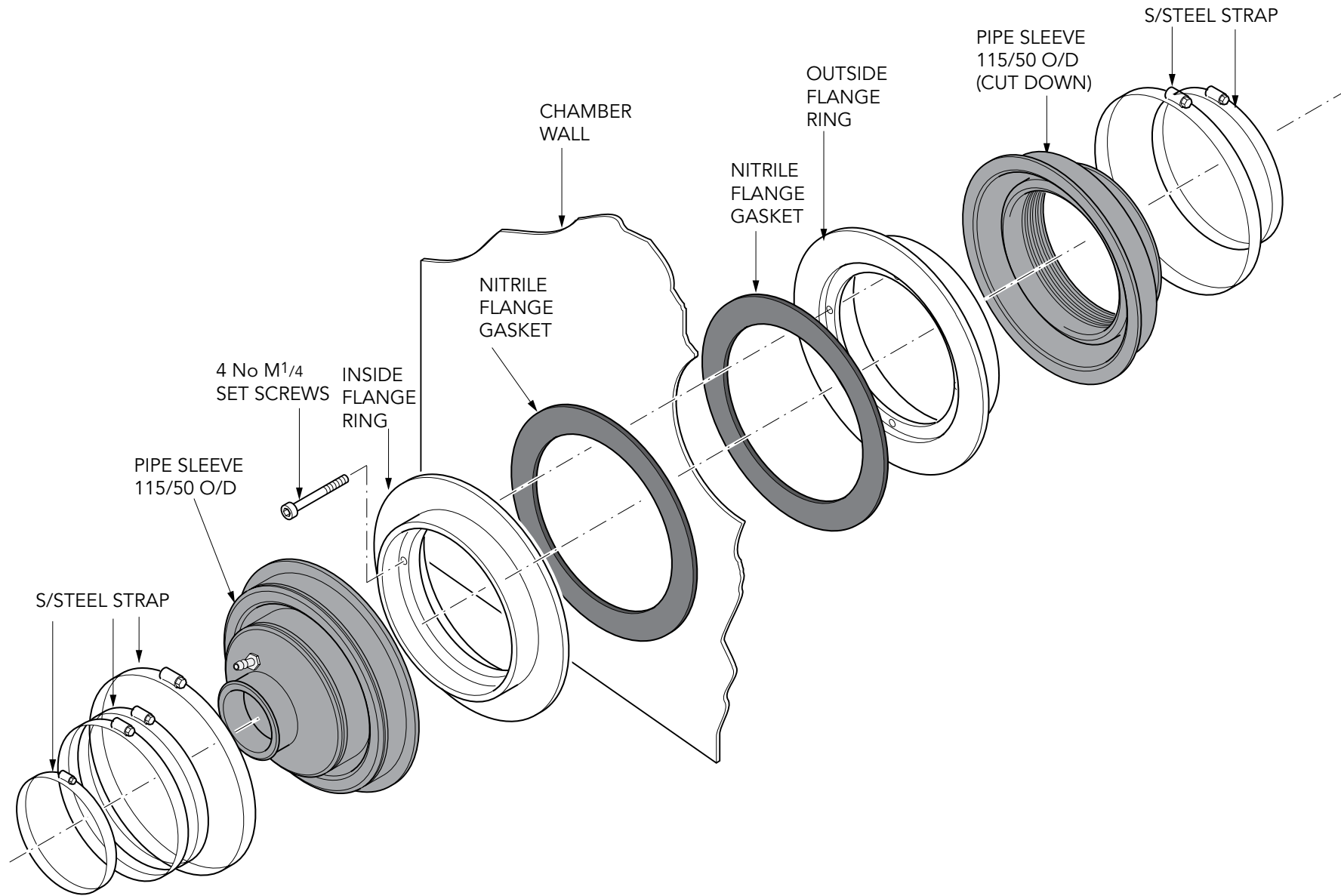


OPW retractable pipework duct sealkit. Seals 4 17/32 diameter duct to 1 31/32 diameter pipe. The PDBD/115-50 seals the Environ/OPW 1.5" Geoflex within the 4" Geoduct.

For reference purposes only. This drawing is not a specification. Order against product code only. To enable continuous improvement of our products, the designs and specifications are subject to change without notice.

FIBRELITE 
PART OF OPW A  COMPANY

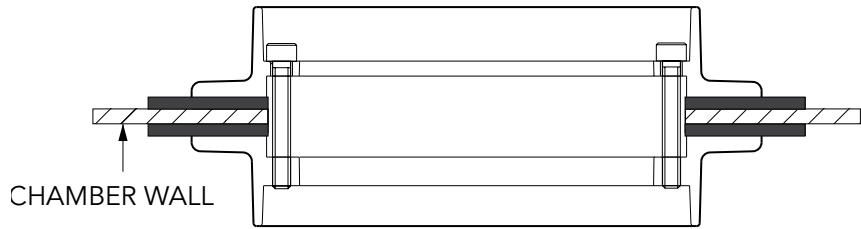


OPW retractable pipework duct seal kit. Seals 4 17/32 diameter duct to 1 31/32 diameter pipe. The PDBD/115-50 seals the Environ/OPW 1.5" Geoflex within the 4" Geoduct.

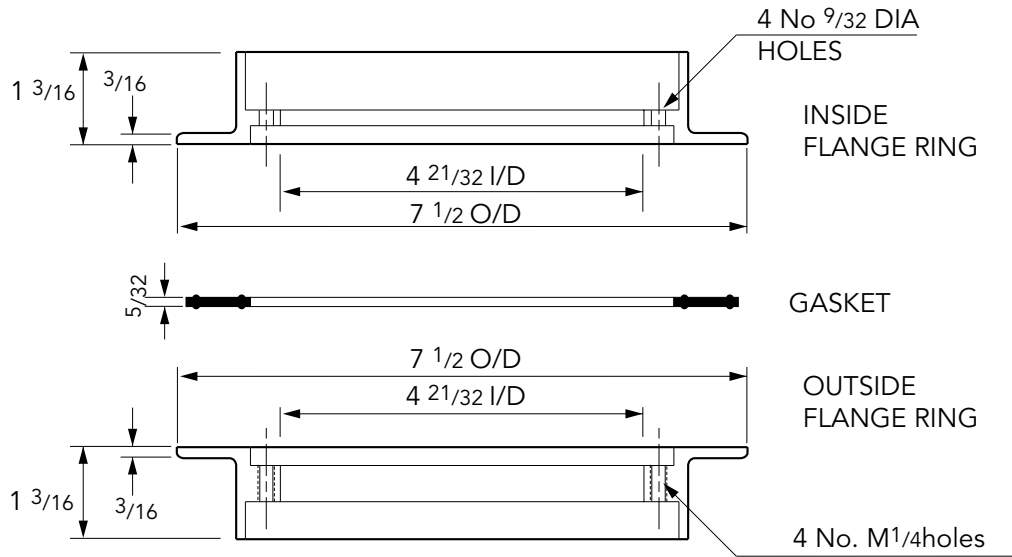
For reference purposes only. This drawing is not a specification. Order against product code only. To enable continuous improvement of our products, the designs and specifications are subject to change without notice.



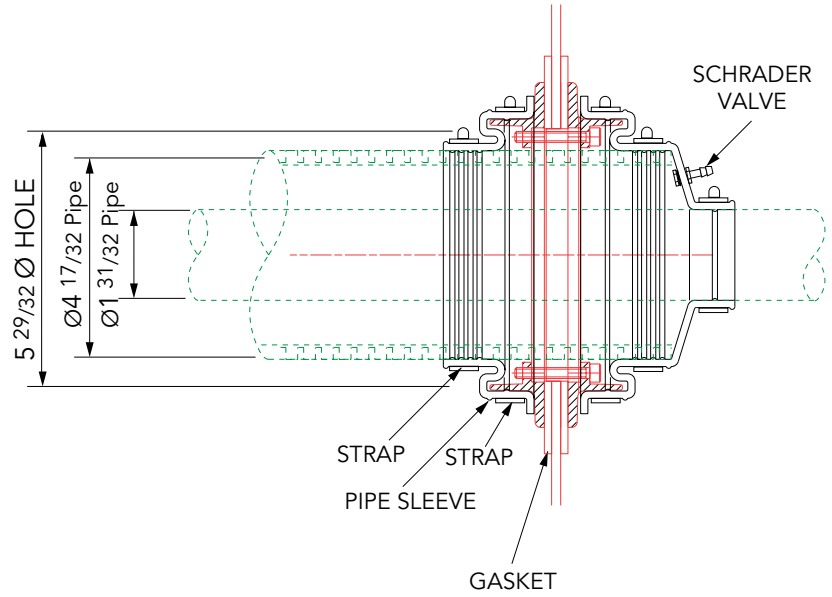
ASSEMBLY FOR PIPEWORK
 SIZE 4 11/32 & 1 31/32 O/D



ASSEMBLED COMPONENT



OUTSIDE CHAMBER INSIDE CHAMBER



OPW retractable pipework duct seal kit. Seals 4 17/32 diameter duct to 1 31/32 diameter pipe. The PDBD/115-50 seals the Environ/OPW 1.5" Geoflex within the 4" Geoduct.

For reference purposes only. This drawing is not a specification. Order against product code only. To enable continuous improvement of our products, the designs and specifications are subject to change without notice.

