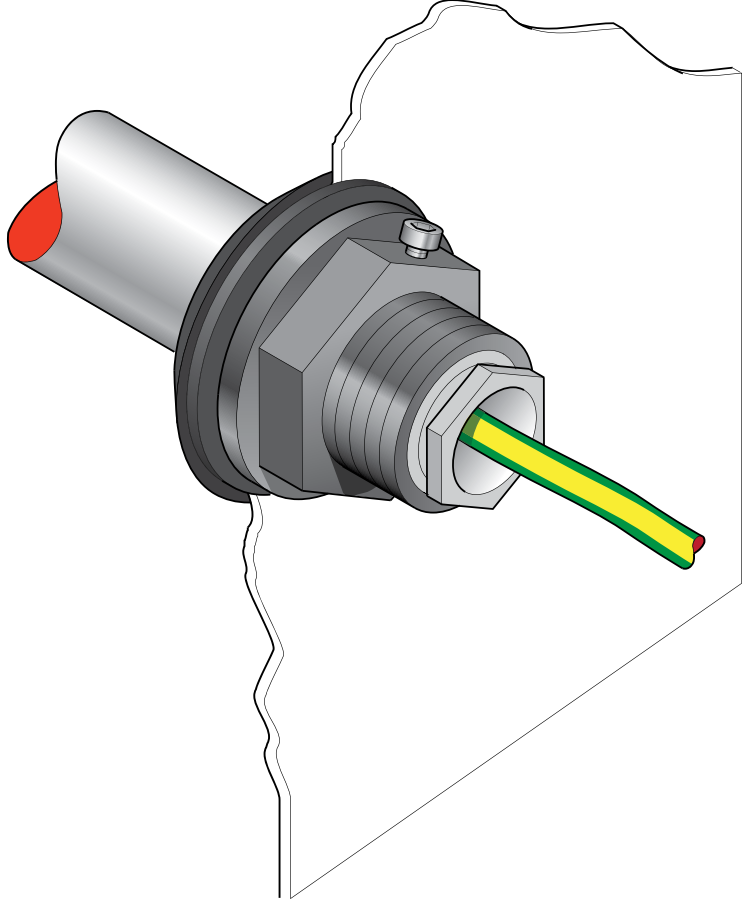


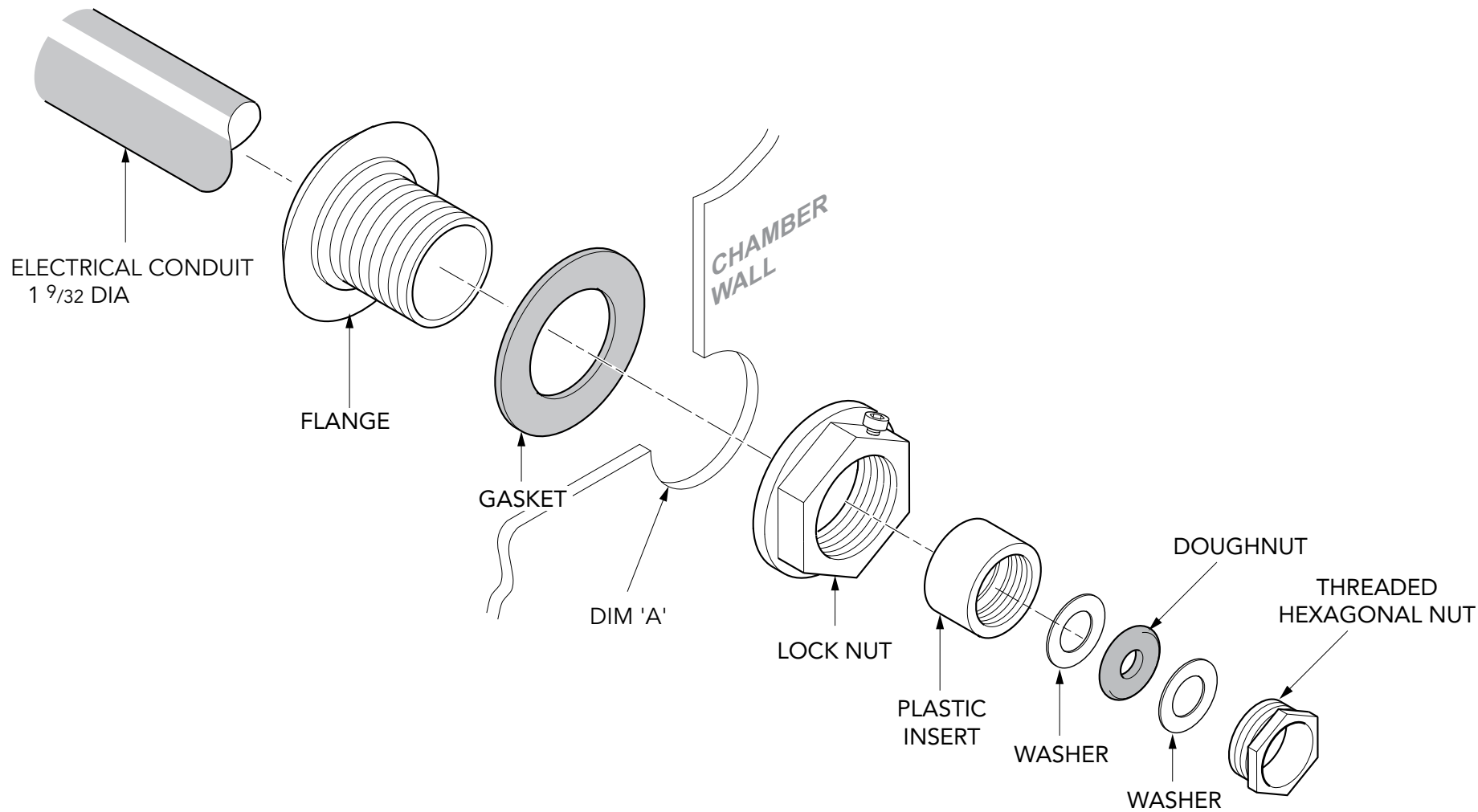
PRODUCT CODE	To fit Steel Conduit (internal dia. inches)	Hole Size Dim 'A' (dia. mm)
PEC2/33	1"	2 11/32 "



Grounding cable sealkit, designed to fit 1" steel conduit.
 1 hole fits 1 cable 11/32 - 25/32 dia.
 3 hole fits 3 cables 3/16 - 5/16 dia

For reference purposes only. This drawing is not a specification. Order against product code only. To enable continuous improvement of our products, the designs and specifications are subject to change without notice.

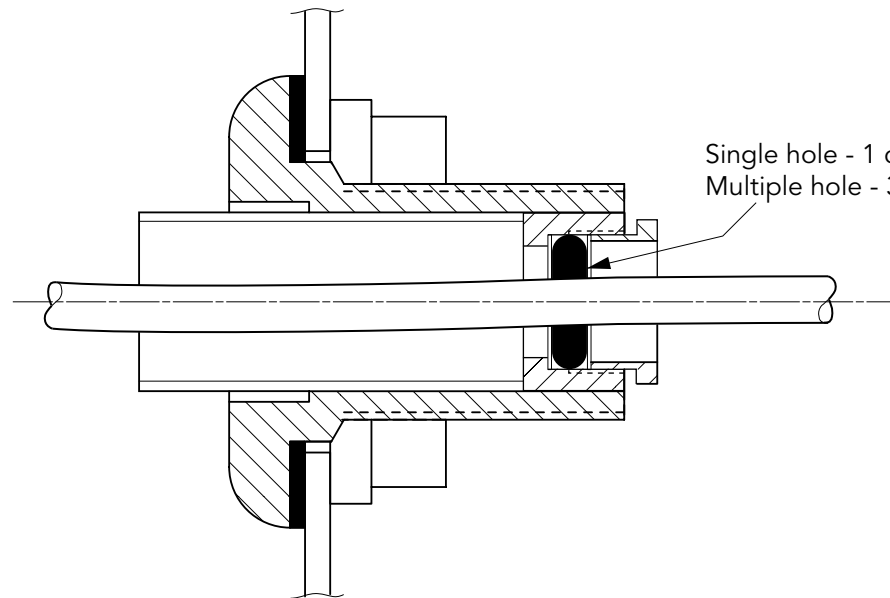
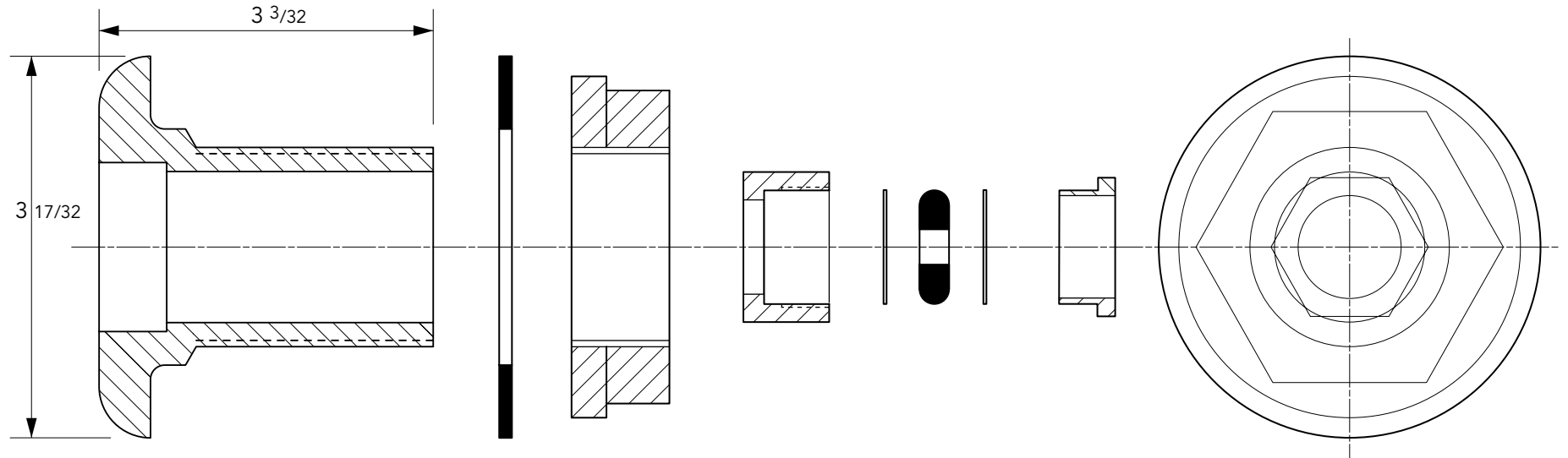




Grounding cable sealkit, designed to fit 1" steel conduit.
 1 hole fits 1 cable 11/32 - 25/32 dia.
 3 hole fits 3 cables 3/16 - 5/16 dia

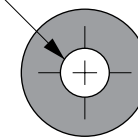
For reference purposes only. This drawing is not a specification. Order against product code only. To enable continuous improvement of our products, the designs and specifications are subject to change without notice.

FIBRELITE 
 PART OF OPW A DOVER COMPANY



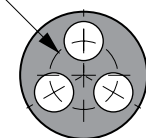
Single hole - 1 cable $1\frac{1}{32}$ to $2\frac{5}{32}$ dia.
 Multiple hole - 3 cables $\frac{3}{16}$ to $\frac{5}{16}$ dia.

1 No. hole
 $\text{Ø}1\frac{1}{32}$ - $\text{Ø}2\frac{5}{32}$



Standard Doughnut

3 No. holes
 $\text{Ø}\frac{5}{16}$ - $\text{Ø}\frac{5}{16}$
 on 14PCD



Multiple Doughnut

Grounding cable sealkit, designed to fit 1" steel conduit.
 1 hole fits 1 cable $1\frac{1}{32}$ - $2\frac{5}{32}$ dia.
 3 hole fits 3 cables $\frac{3}{16}$ - $\frac{5}{16}$ dia

For reference purposes only. This drawing is not a specification. Order against product code only. To enable continuous improvement of our products, the designs and specifications are subject to change without notice.

