

WATERTIGHT PLATFORM

HANDLE

T-HANDLE (x6)

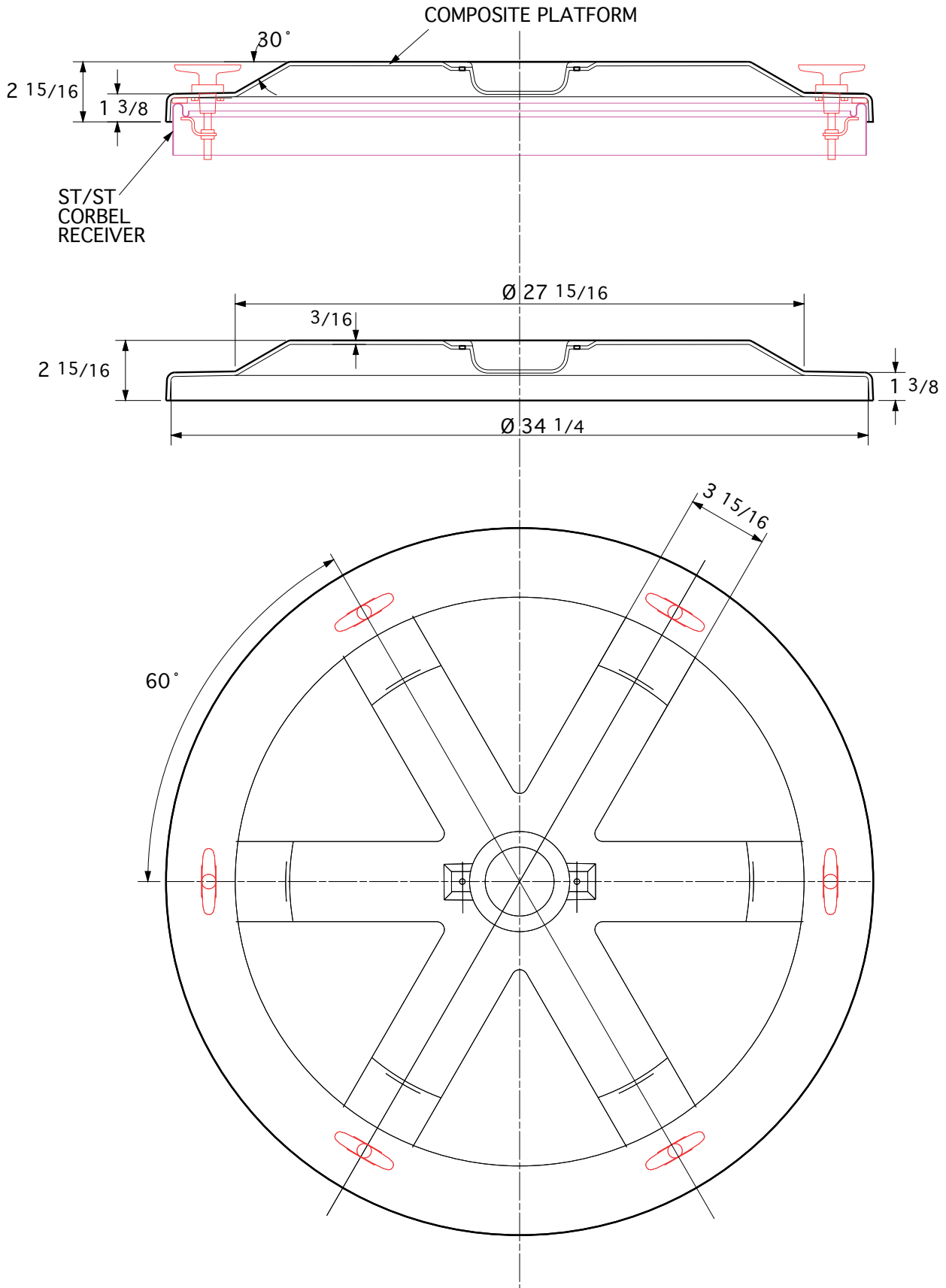
STAINLESS STEEL  
RETAINING RING



FRP watertight locking platform. Fits all systems with 33" dia. corbel opening.

For reference purposes only. This drawing is not a specification. Order against product code only. To enable continuous improvement of our products, the designs and specifications are subject to change without notice.

**FIBRELITE**   
PART OF OPW A DOVER COMPANY



FRP watertight locking platform. Fits all systems with 33" dia. corbel opening.

For reference purposes only. This drawing is not a specification. Order against product code only. To enable continuous improvement of our products, the designs and specifications are subject to change without notice.

**FIBRELITE**   
PART OF OPW A DOVER COMPANY