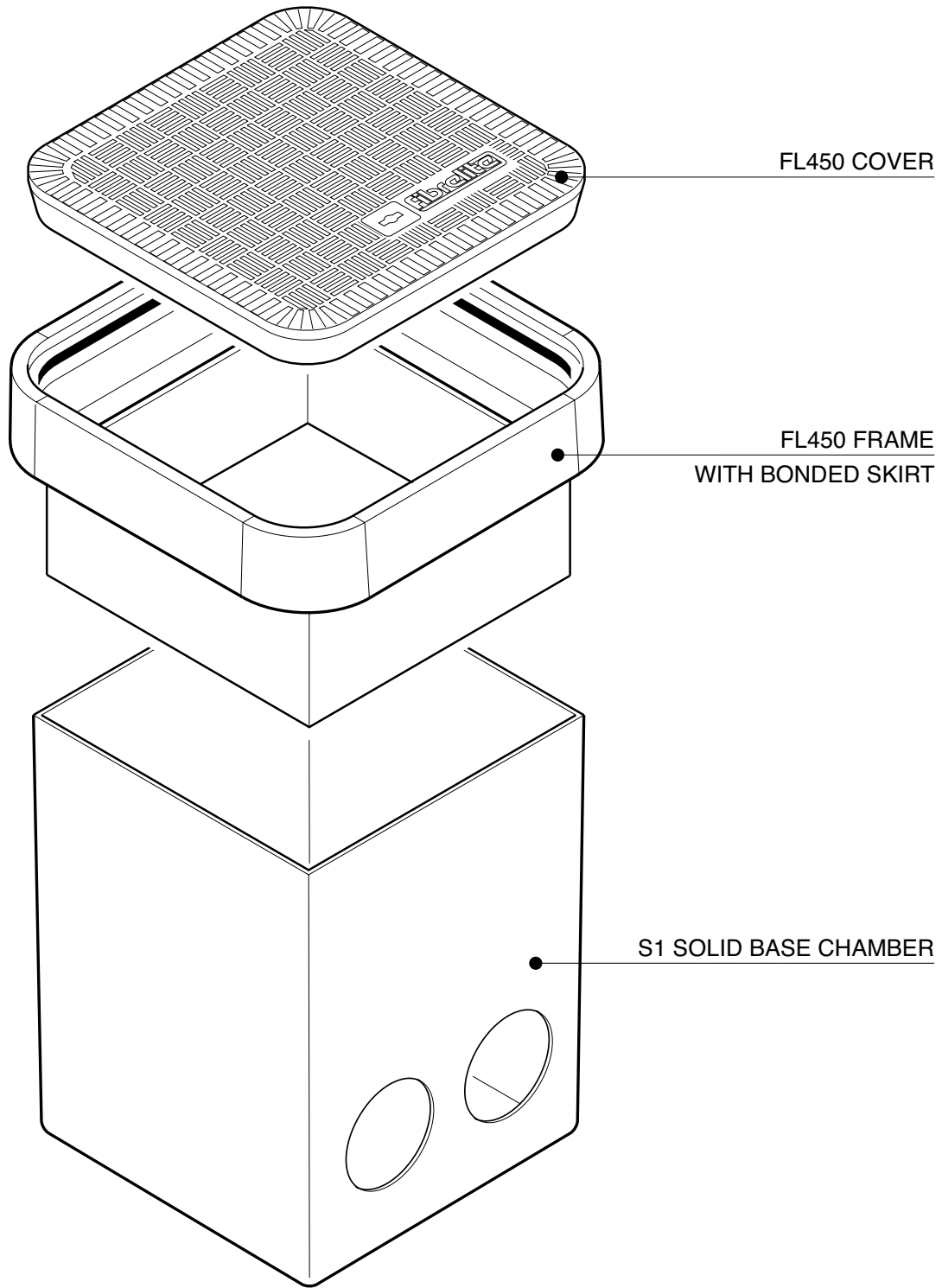


Electrical Drawpit 17 23/32" square x 23 5/8" GRP base chamber with a 8 1/4" deep skirt and square 17 23/32" at sealed cover.

For reference purposes only. This drawing is not a specification. Order against product code only. To enable continuous improvement of our products, the designs and specifications are subject to change without notice.

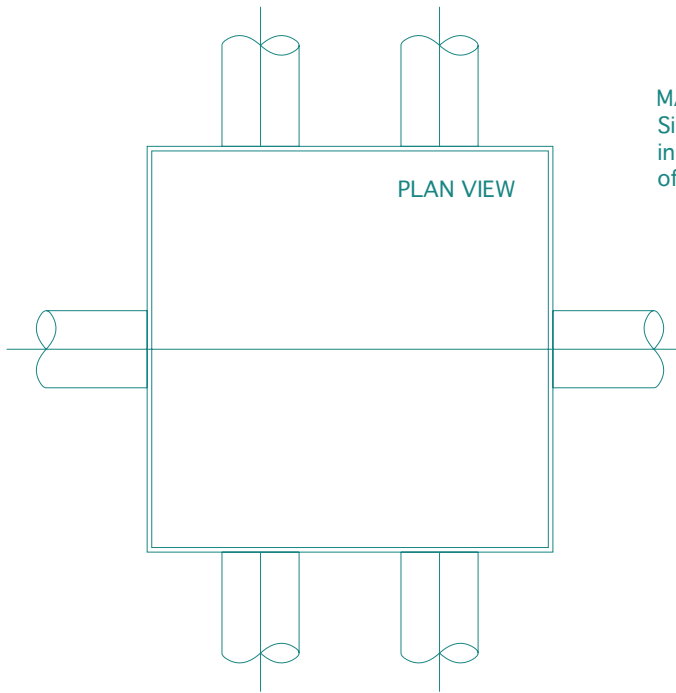
**FIBRELITE**   
PART OF OPW A DOVER COMPANY



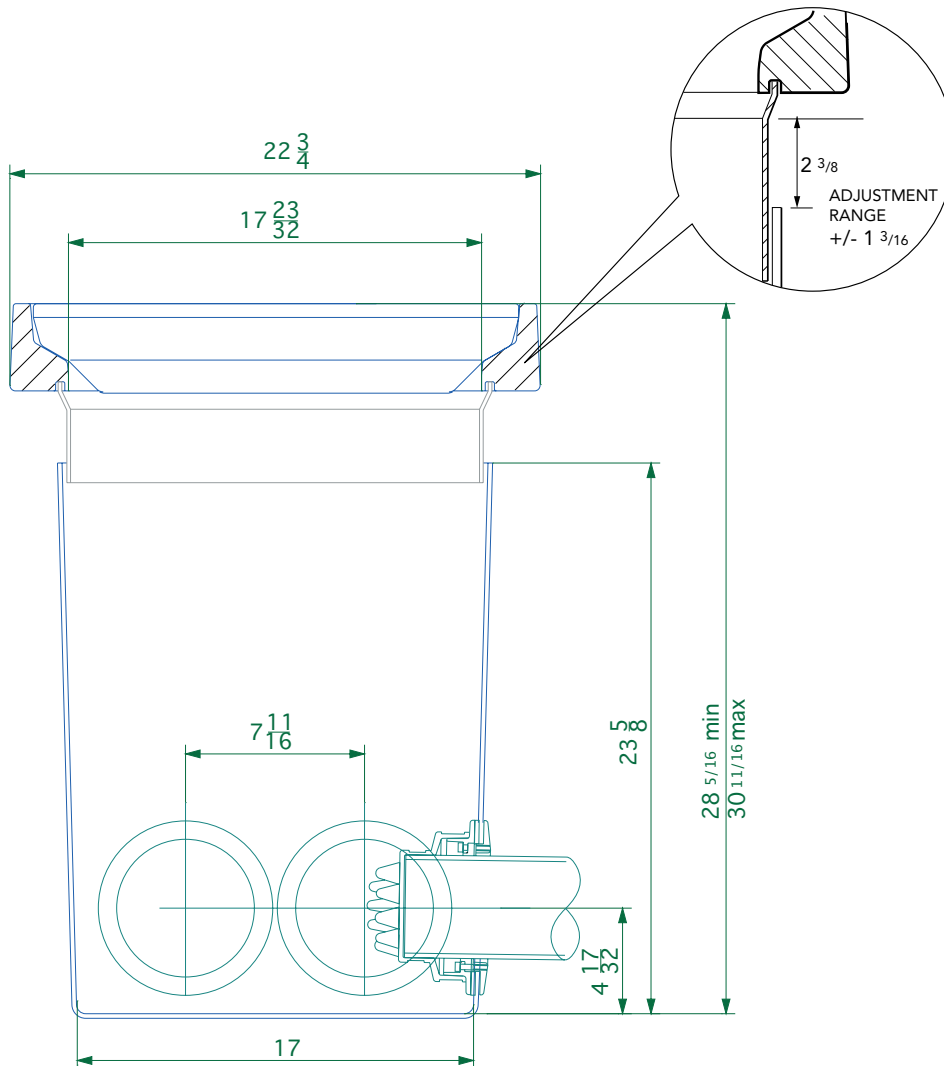
Electrical Drawpit 17 23/32" square x 23 5/8" GRP base chamber with a 8 1/4" deep skirt and square 17 23/32" at sealed cover.

For reference purposes only. This drawing is not a specification. Order against product code only. To enable continuous improvement of our products, the designs and specifications are subject to change without notice.

**FIBRELITE**   
PART OF OPW A DOVER COMPANY



MAX 3 15/16" Ducts  
 Single bank of 2 ducts  
 in opposing sides and single bank  
 of 1 duct in adjacent sides.



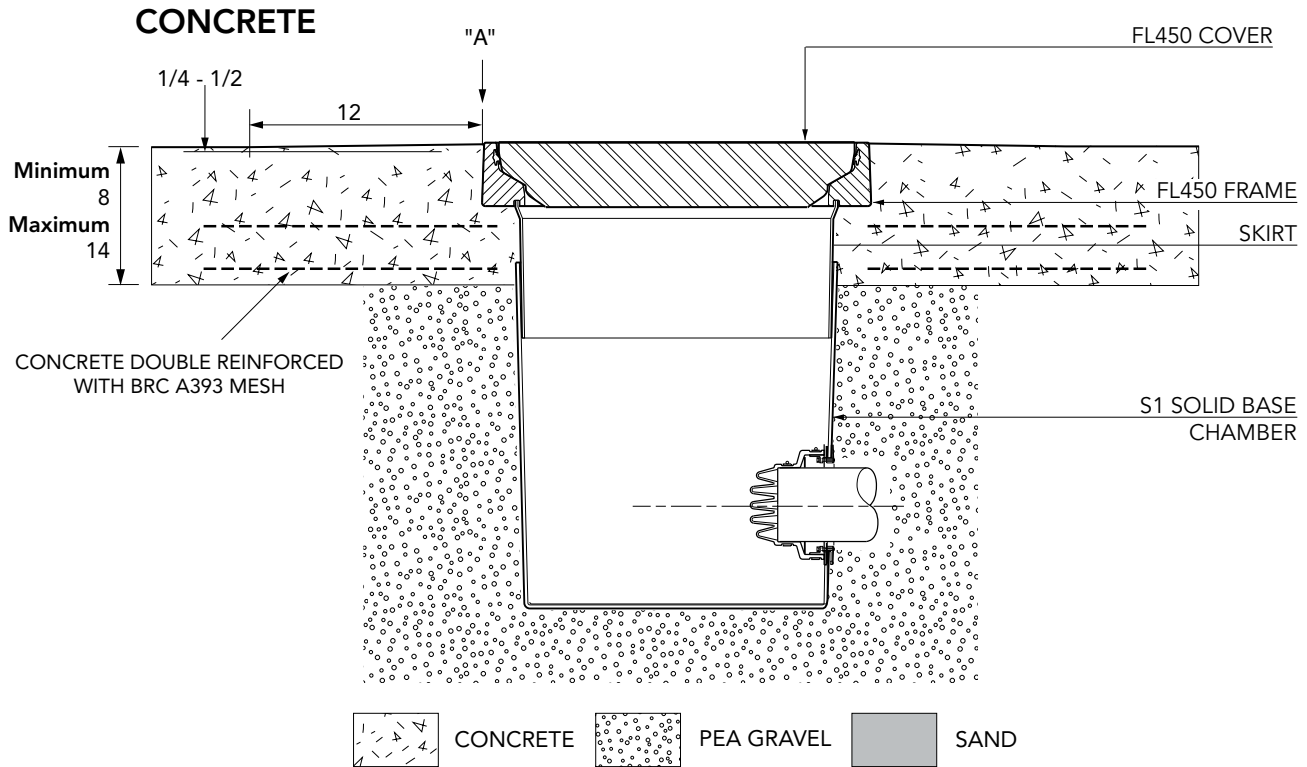
Electrical Drawpit 17 23/32" square x 23 5/8" GRP base chamber with a 8 1/4" deep skirt and square 17 23/32" at sealed cover.

For reference purposes only. This drawing is not a specification. Order against product code only. To enable continuous improvement of our products, the designs and specifications are subject to change without notice.

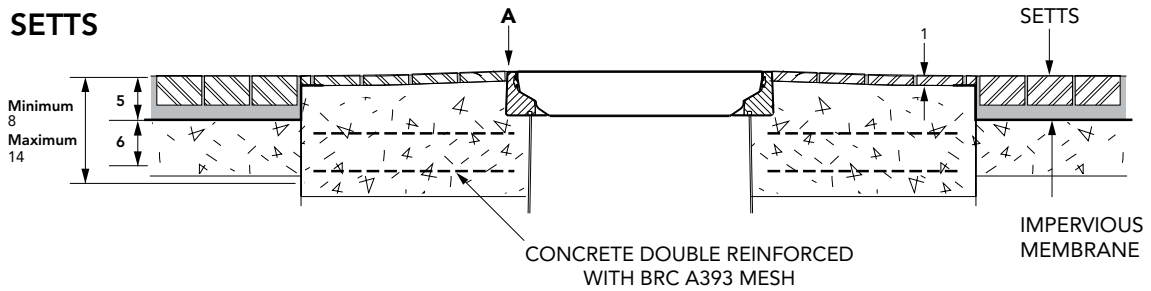
**FIBRELITE**   
 PART OF OPW A DOVER COMPANY

**VERY IMPORTANT**  
 OUTER EDGE "A" OF FRAME SET 1/4 - 1/2"  
 ABOVE GENERAL FORECOURT AREA WITH  
 CONCRETE RAMPED AWAY OVER 12"

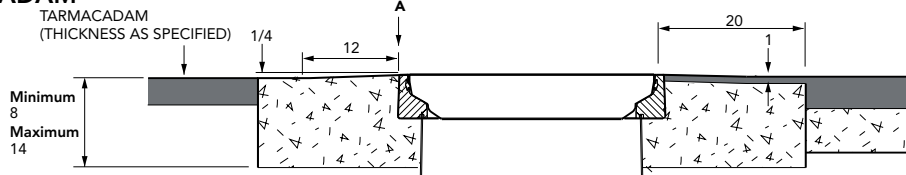
**TYPICAL INSTALLATION**



**ALTERNATIVE INSTALLATION ADVICE**



**TARMACADAM**



Electrical Drawpit 17 23/32" square x 23 5/8" GRP base chamber with a 8 1/4" deep skirt and square 17 23/32" at sealed cover.

For reference purposes only. This drawing is not a specification. Order against product code only. To enable continuous improvement of our products, the designs and specifications are subject to change without notice.

**FIBRELITE**

PART OF OPW A DOVER COMPANY