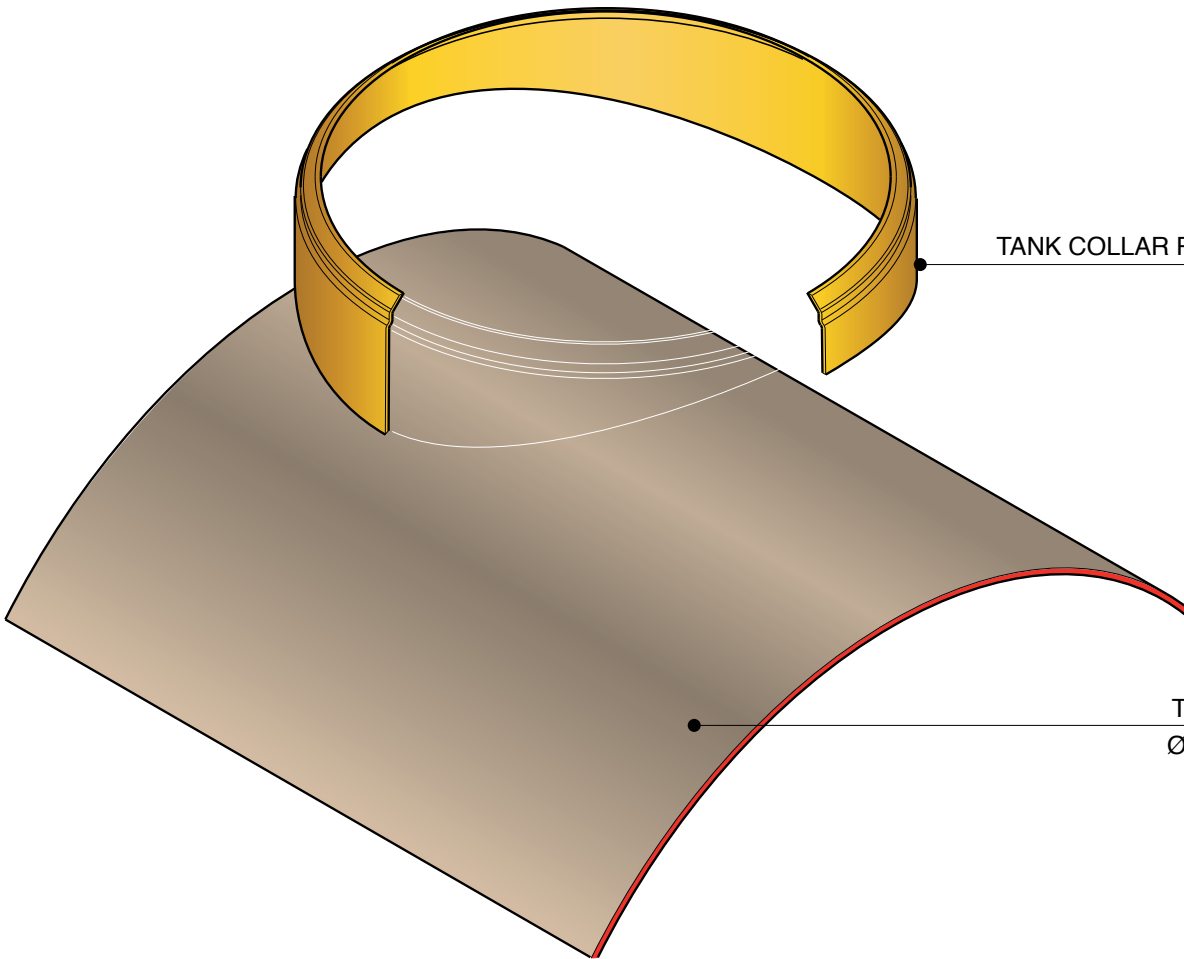


SUMP



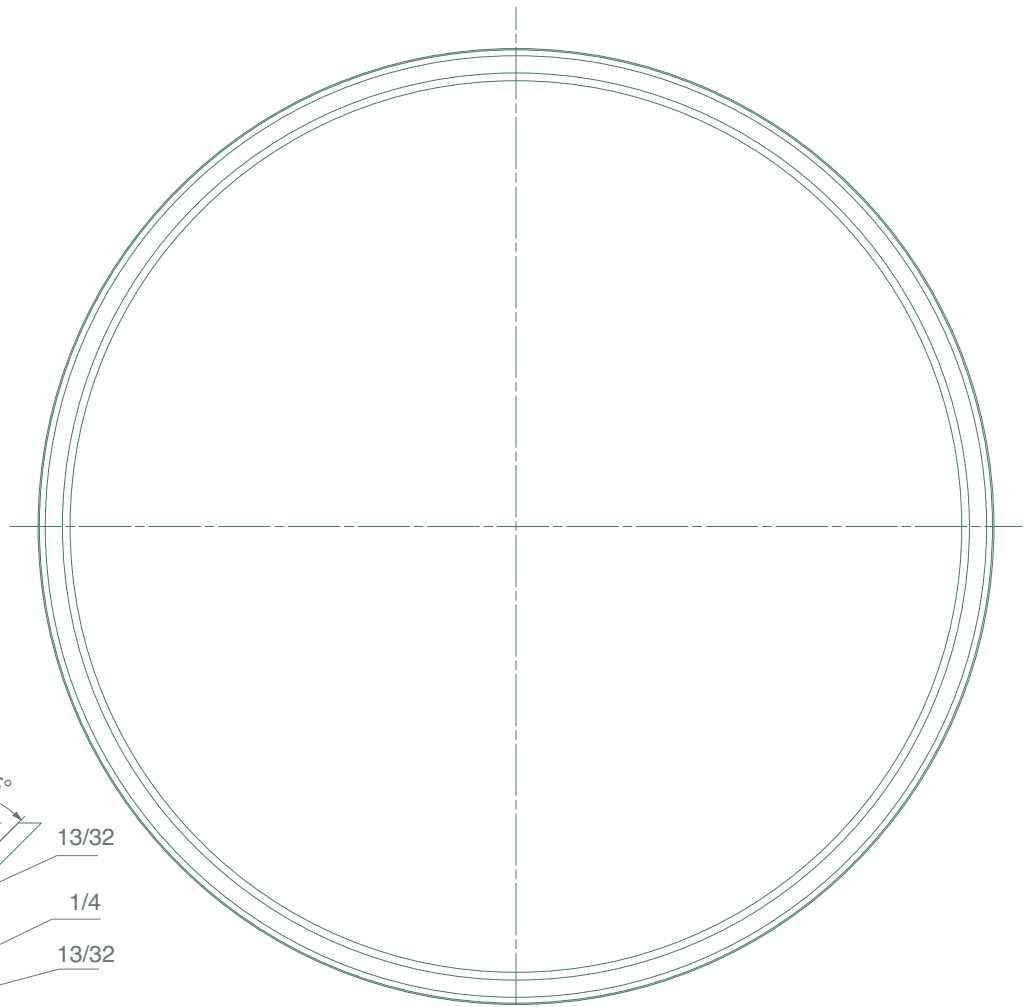
TANK COLLAR RING

TANK  
Ø108"

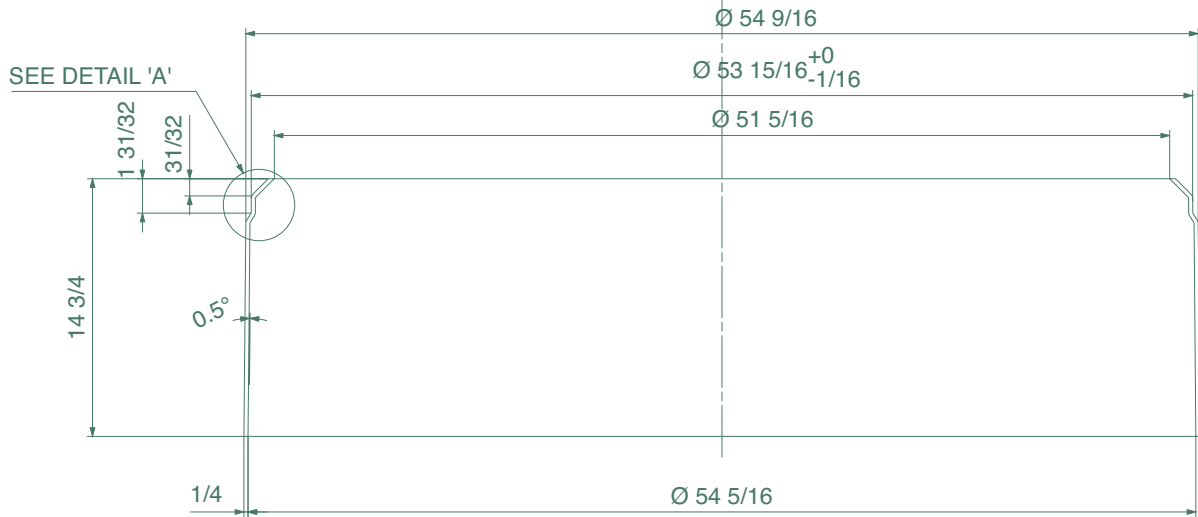
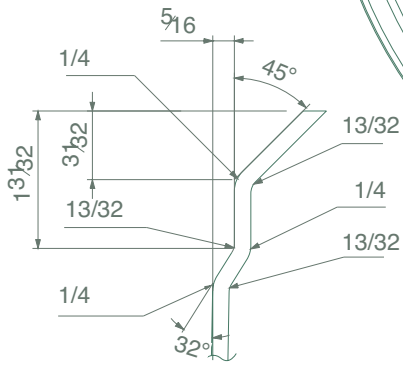
Tank collar to fit S15CR and S16CR collar ring chamber/sumps.

For reference purposes only. This drawing is not a specification. Order against product code only. To enable continuous improvement of our products, the designs and specifications are subject to change without notice.

**FIBRELITE**   
PART OF OPW A  DOVER COMPANY



DETAIL 'A'  
SCALE 1:1



Tank collar to fit S15CR and S16CR collar ring chamber/sumps.

For reference purposes only. This drawing is not a specification. Order against product code only. To enable continuous improvement of our products, the designs and specifications are subject to change without notice.

