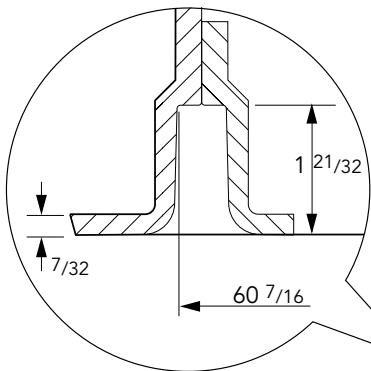
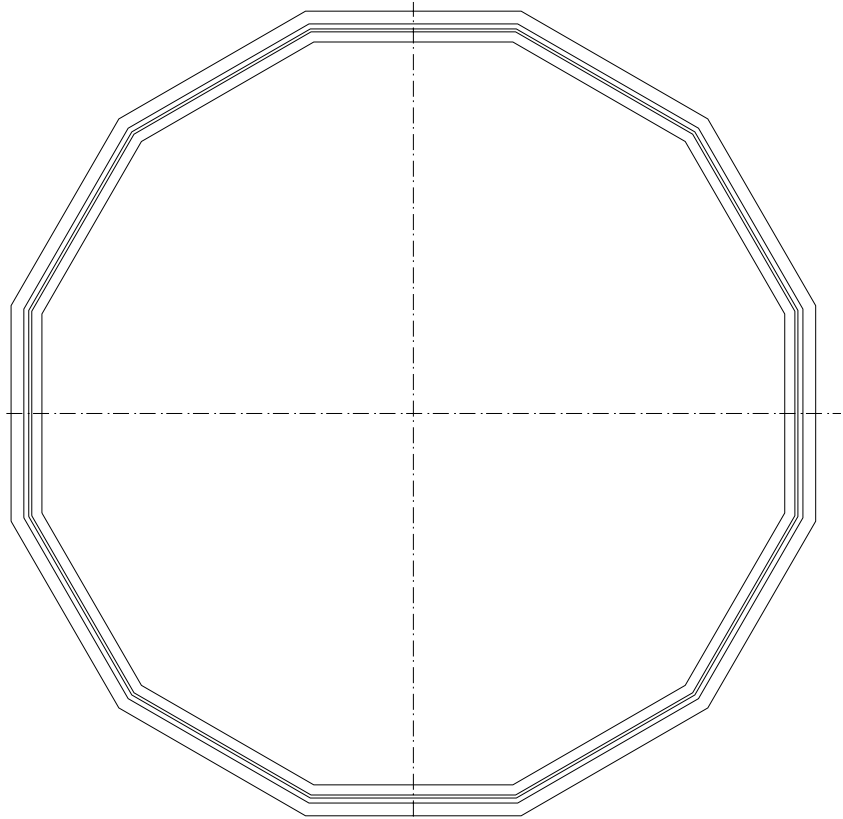


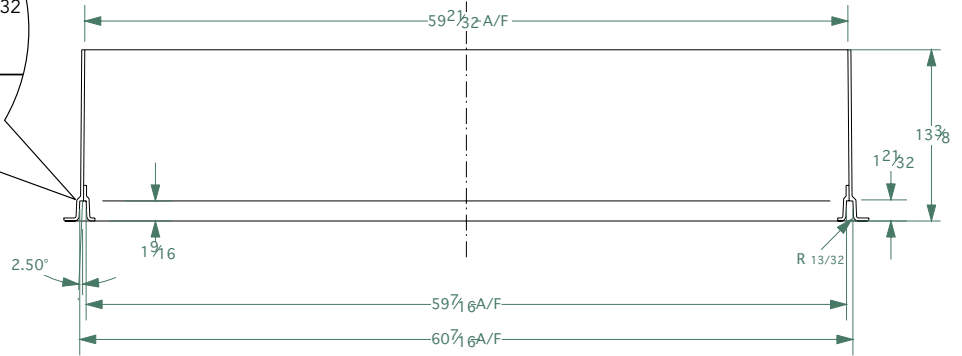
12" deep extension to fit S16 & S16CR tank sumps.

For reference purposes only. This drawing is not a specification. Order against product code only. To enable continuous improvement of our products, the designs and specifications are subject to change without notice.

**FIBRELITE**   
PART OF OPW A DOVER COMPANY



GROOVE DETAIL SECTION



12" deep extension to fit S16 & S16CR tank sumps.

For reference purposes only. This drawing is not a specification. Order against product code only. To enable continuous improvement of our products, the designs and specifications are subject to change without notice.

