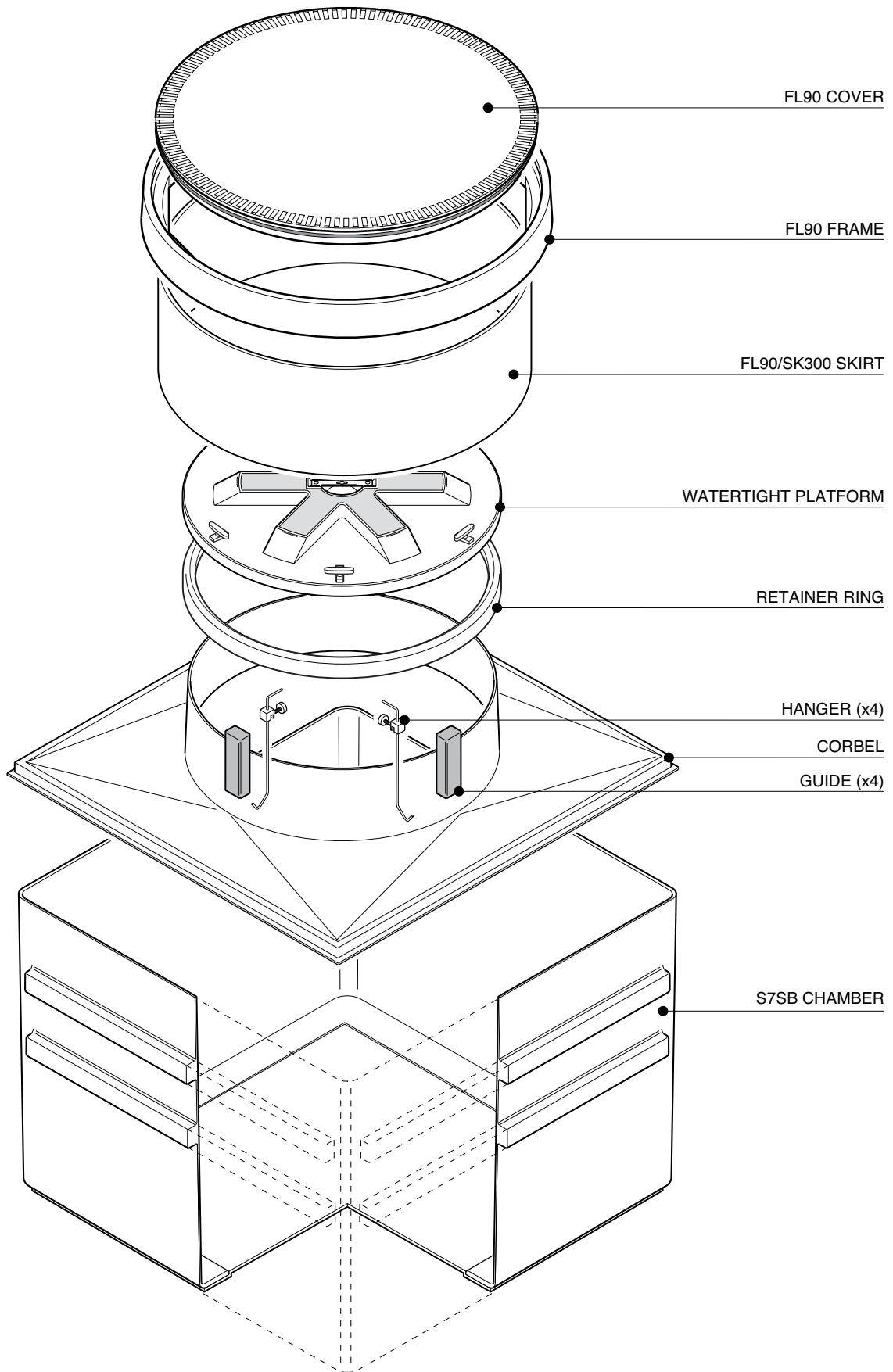


45" square solid base chamber with a sealed corbel, adjustable skirt, internal watertight platform and round 35 1/2" flat sealed cover.

For reference purposes only. This drawing is not a specification. Order against product code only. To enable continuous improvement of our products, the designs and specifications are subject to change without notice.

**FIBRELITE**   
PART OF OPW A DOVER COMPANY



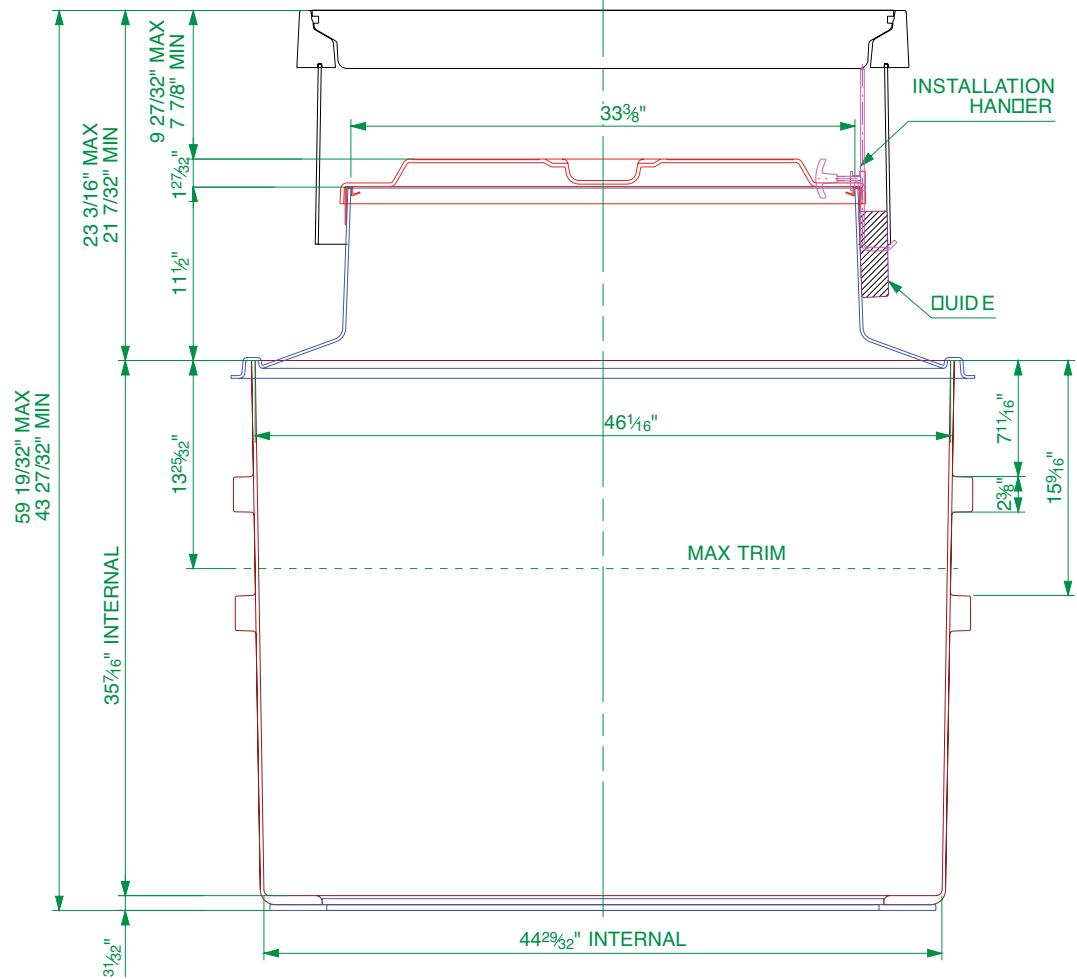
45" square solid base chamber with a sealed corbel, adjustable skirt, internal watertight platform and round 35 1/2" flat sealed cover.

For reference purposes only. This drawing is not a specification. Order against product code only. To enable continuous improvement of our products, the designs and specifications are subject to change without notice.

**FIBRELITE**   
PART OF OPW A DOVER COMPANY

EXTERNAL CORNER SHARP (2 PLACES)

EXTERNAL CORNER RADIUS (2 PLACES)



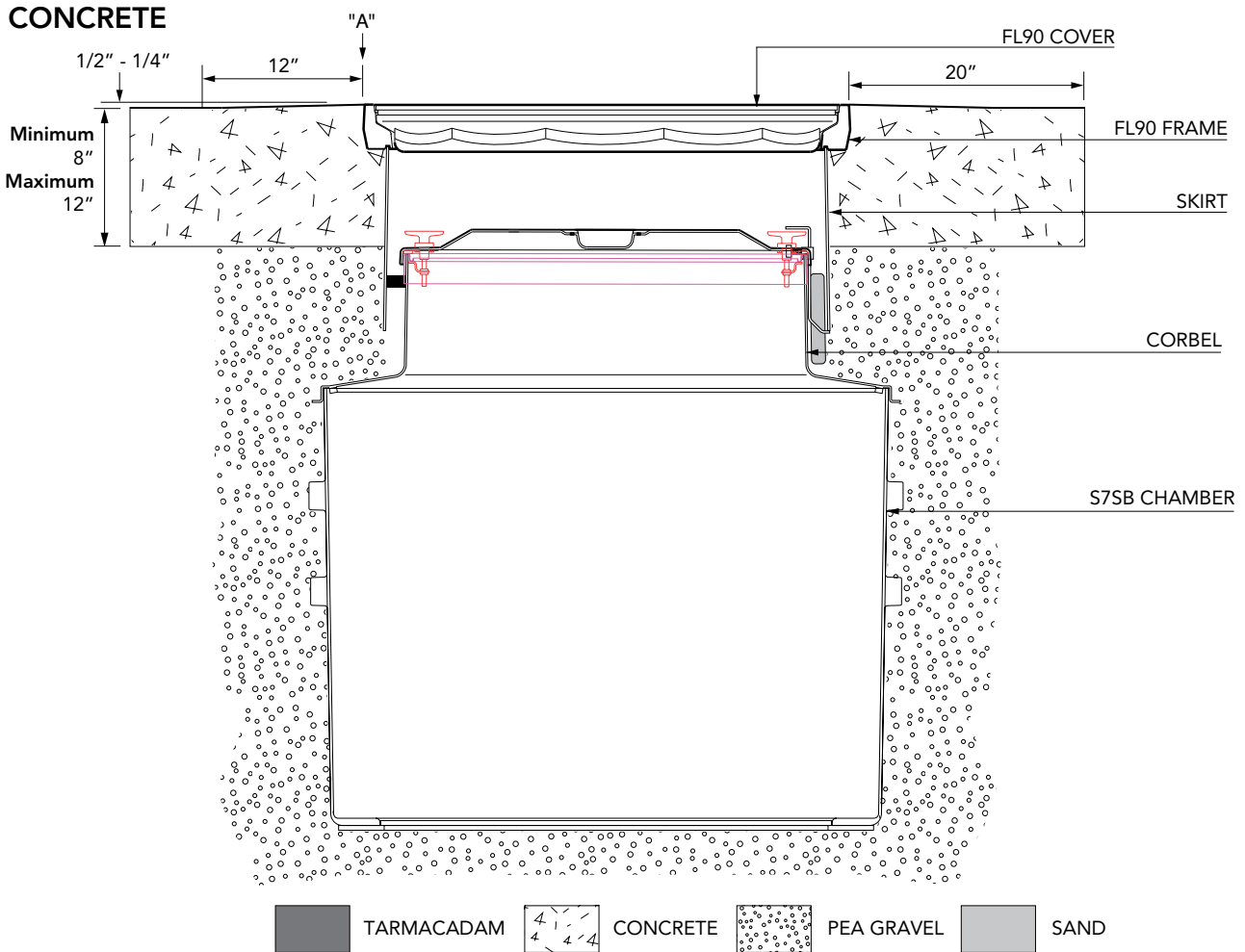
45" square solid base chamber with a sealed corbel, adjustable skirt, internal watertight platform and round 35 1/2" flat sealed cover.

For reference purposes only. This drawing is not a specification. Order against product code only. To enable continuous improvement of our products, the designs and specifications are subject to change without notice.

**FIBRELITE**   
PART OF OPW A DOVER COMPANY

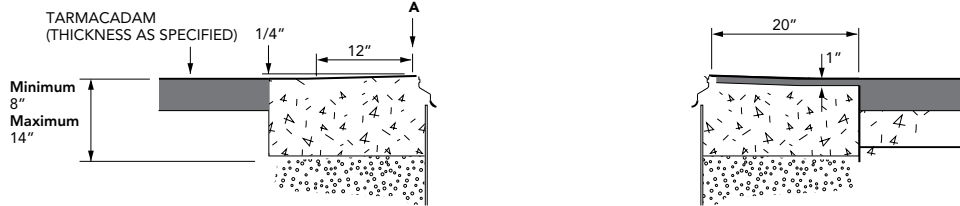
**VERY IMPORTANT**  
 OUTER EDGE "A" OF FRAME SET 1/2" - 1/4"  
 ABOVE GENERAL FORECOURT AREA WITH  
 CONCRETE RAMPED AWAY OVER 12".

**TYPICAL INSTALLATION**

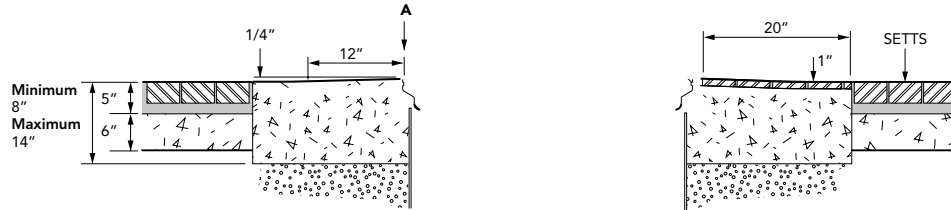


**ALTERNATIVE INSTALLATION ADVICE**

**TARMACADAM**



**SETTS**



45" square solid base chamber with a sealed corbel, adjustable skirt, internal watertight platform and round 35 1/2" flat sealed cover.

For reference purposes only. This drawing is not a specification. Order against product code only. To enable continuous improvement of our products, the designs and specifications are subject to change without notice.

**FIBRELITE**

PART OF OPW A DOWER COMPANY