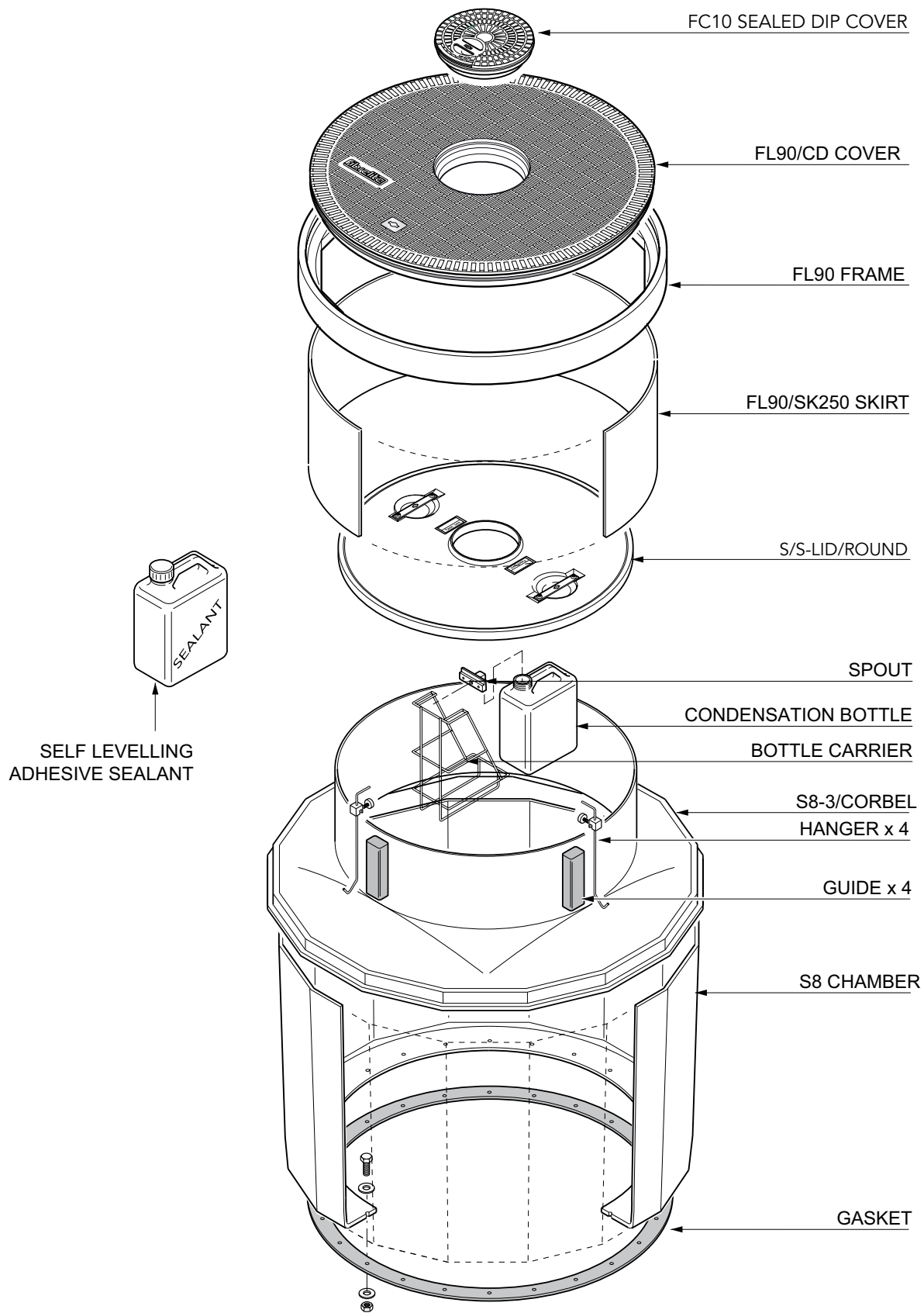


47" diameter bolted base chamber with a corbel, adjustable skirt, non-structural internal lid with a central hole and round 35" flat sealed cover with central manual dip cover. Round tank flange.

For reference purposes only. This drawing is not a specification. Order against product code only. To enable continuous improvement of our products, the designs and specifications are subject to change without notice.

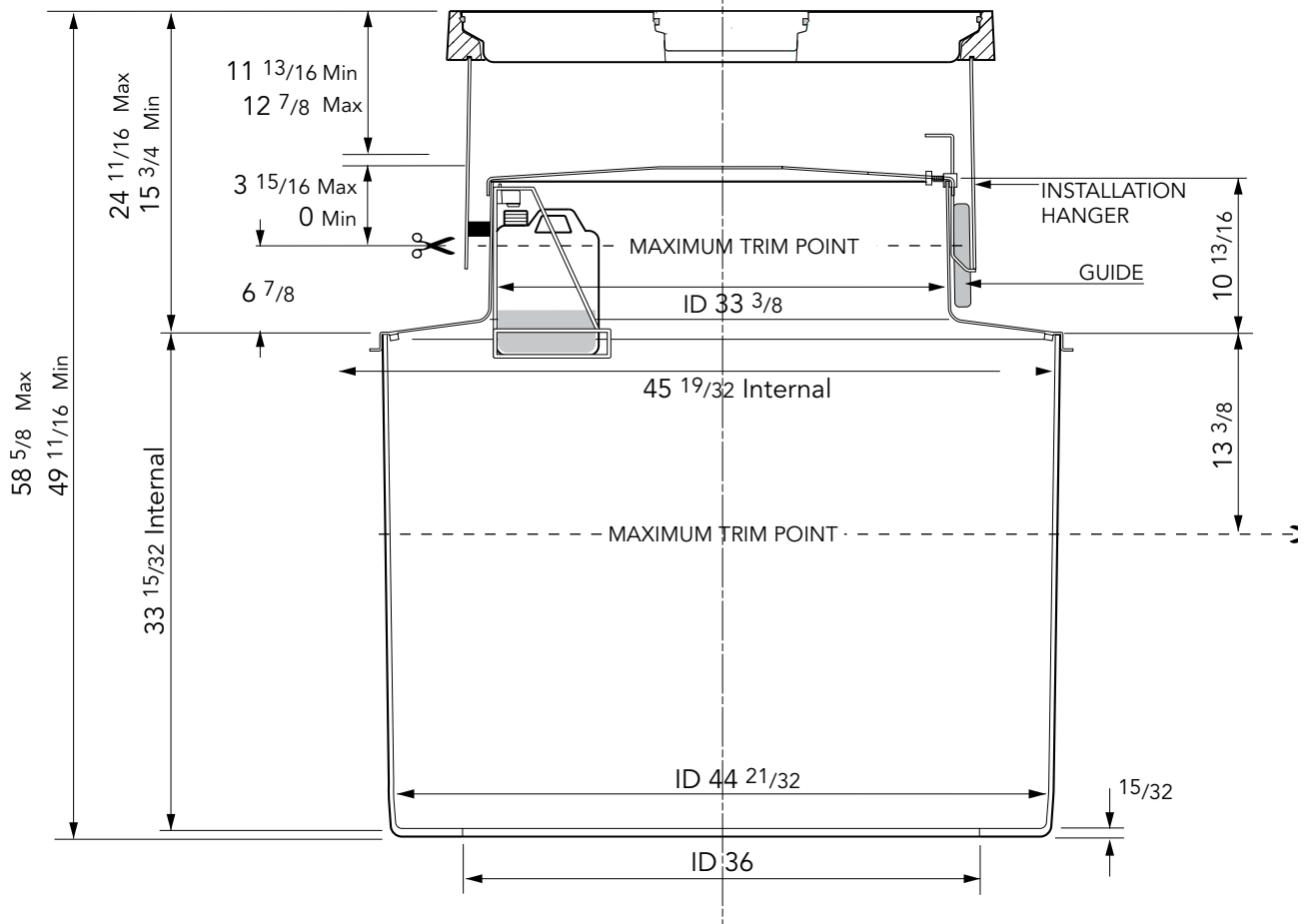
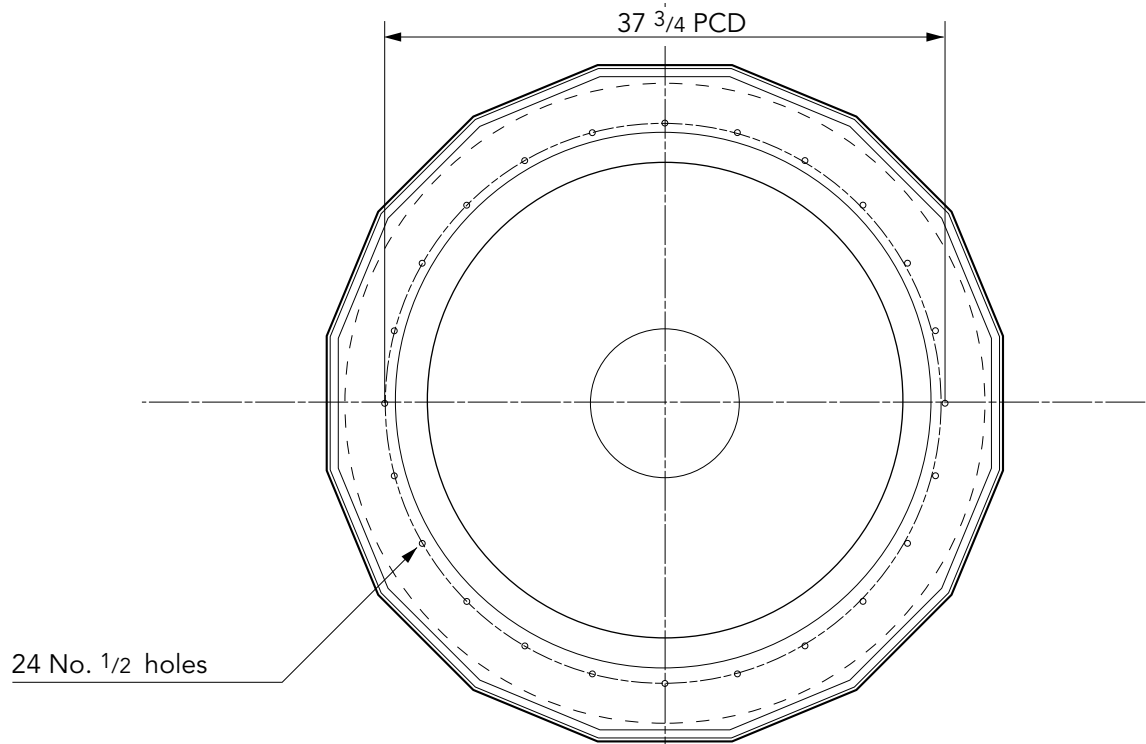
**FIBRELITE**   
 PART OF OPW A DOVER COMPANY



47" diameter bolted base chamber with a corbel, adjustable skirt, non-structural internal lid with a central hole and round 35" flat sealed cover with central manual dip cover. Round tank flange.

For reference purposes only. This drawing is not a specification. Order against product code only. To enable continuous improvement of our products, the designs and specifications are subject to change without notice.

**FIBRELITE**   
 PART OF OPW A DOVER COMPANY



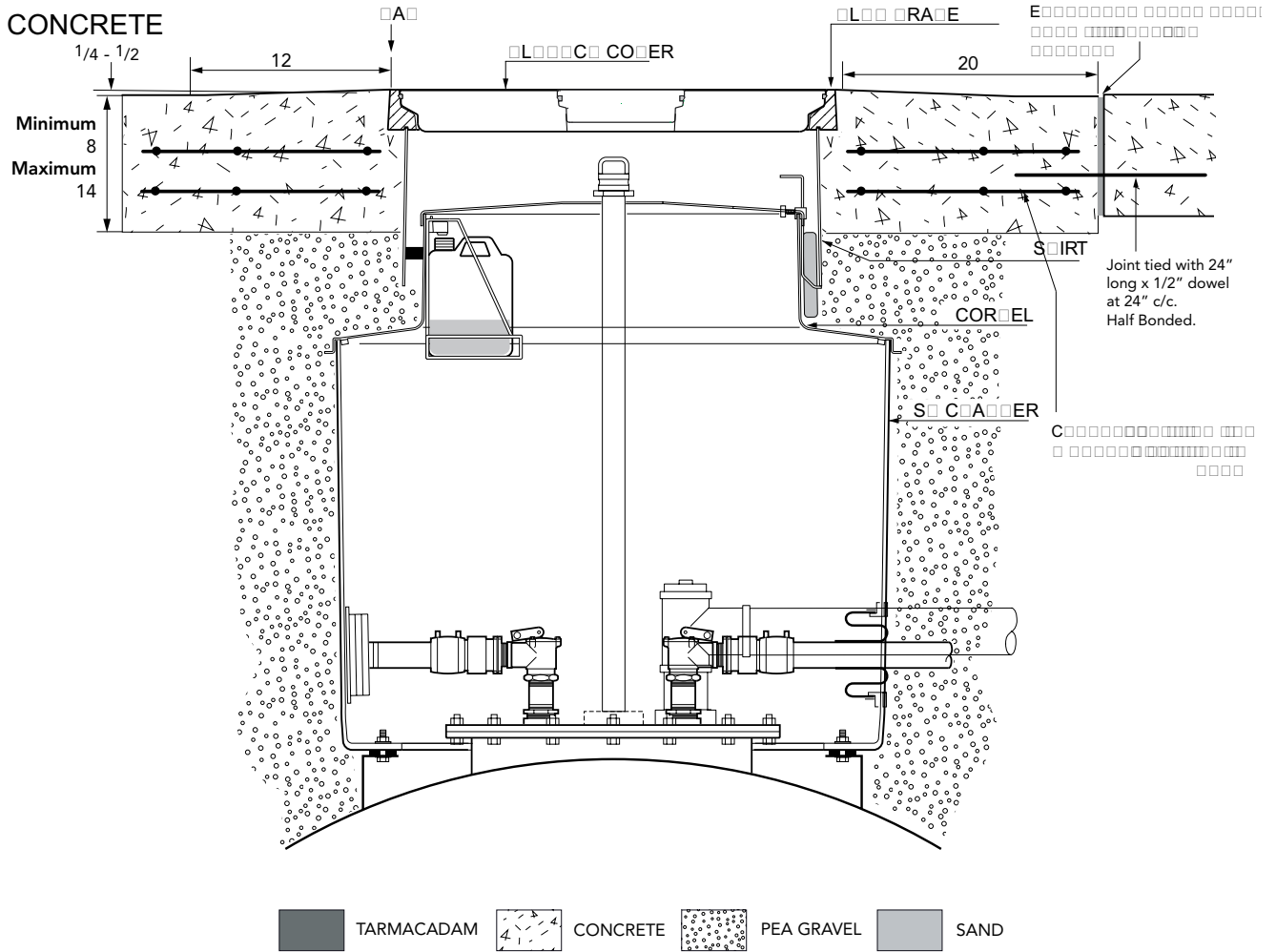
47" diameter bolted base chamber with a corbel, adjustable skirt, non-structural internal lid with a central hole and round 35" flat sealed cover with central manual dip cover. Round tank flange.

For reference purposes only. This drawing is not a specification. Order against product code only. To enable continuous improvement of our products, the designs and specifications are subject to change without notice.

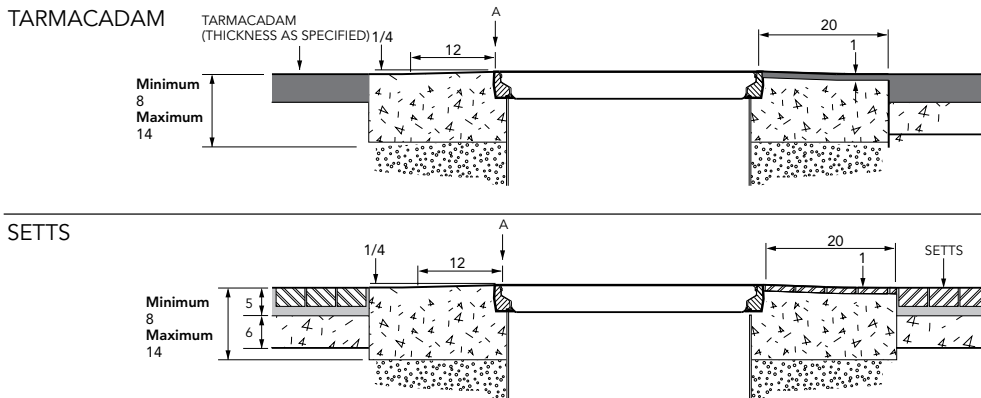
**FIBRELITE**   
PART OF OPW A DOVER COMPANY

**VERY IMPORTANT**  
 OUTER EDGE "A" OF FRAME SET 1/4 - 1/2"  
 ABOVE GENERAL GRADE AREA WITH  
 CONCRETE RAMPED AWAY OVER 12".

TYPICAL INSTALLATION



ALTERNATIVE INSTALLATION ADVICE



47" diameter bolted base chamber with a corbel, adjustable skirt, non-structural internal lid with a central hole and round 35" flat sealed cover with central manual dip cover. Round tank flange.

For reference purposes only. This drawing is not a specification. Order against product code only. To enable continuous improvement of our products, the designs and specifications are subject to change without notice.

**FIBRELITE**  
 PART OF OPW A DOVER COMPANY