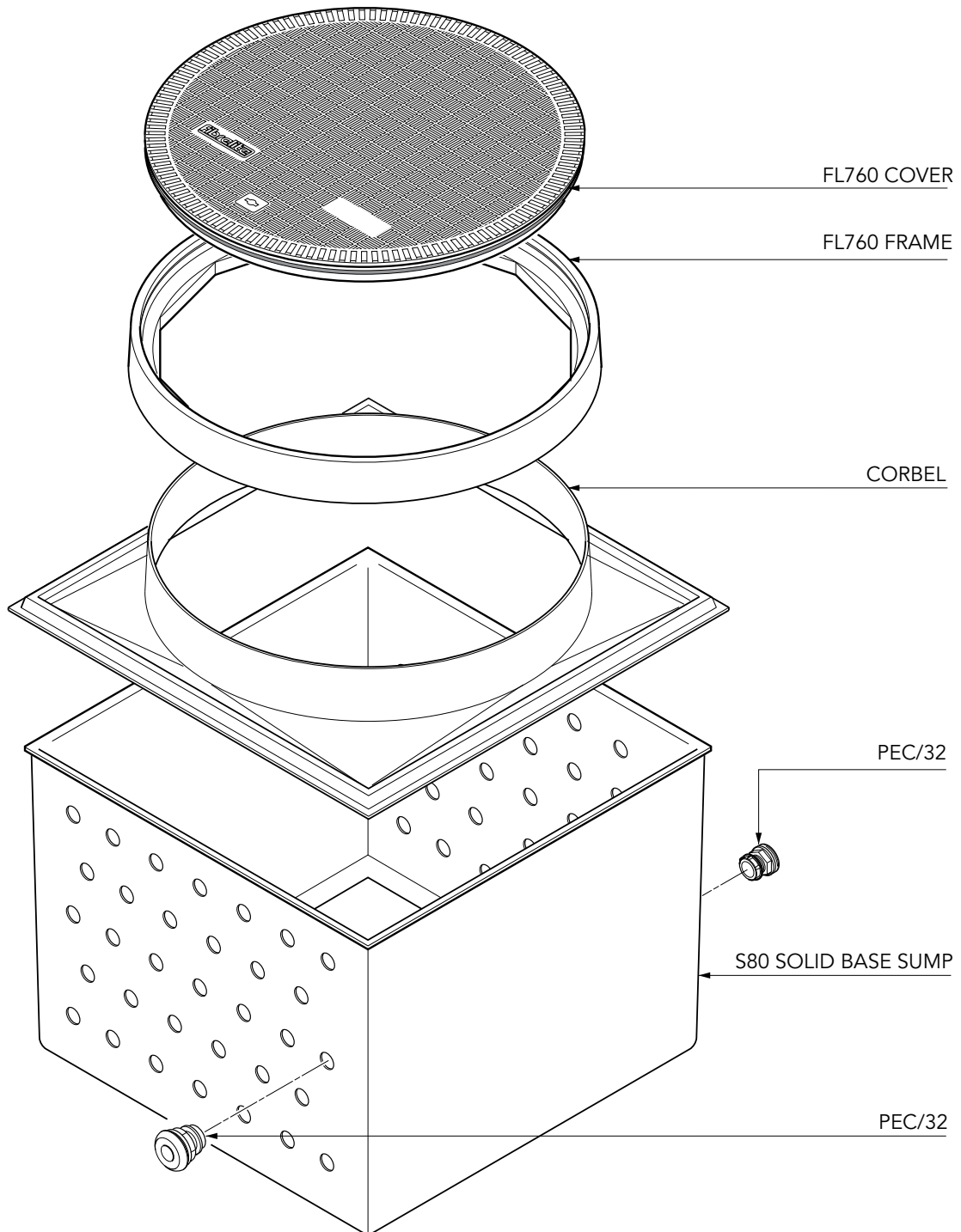


33 15/16" x 33 15/16" x 26 9/16" deep solid base sump with a corbel and 30" dia. flat sealed cover and frame

For reference purposes only. This drawing is not a specification. Order against product code only. To enable continuous improvement of our products, the designs and specifications are subject to change without notice.

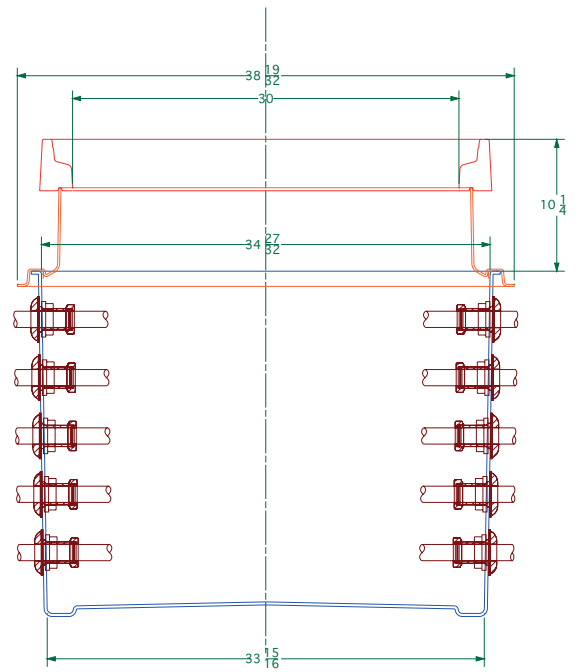
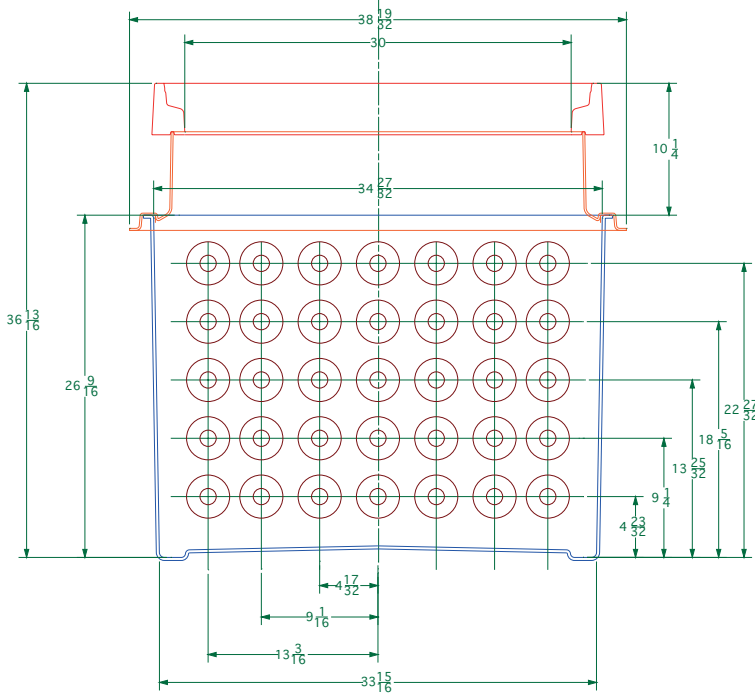
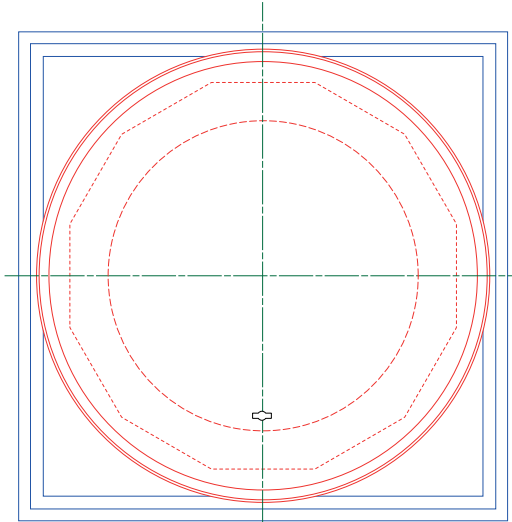
**FIBRELITE**   
PART OF OPW A  COMPANY



33 15/16" x 33 15/16" x 26 9/16" deep solid base sump with a corbel and 30" dia. flat sealed cover and frame

For reference purposes only. This drawing is not a specification. Order against product code only. To enable continuous improvement of our products, the designs and specifications are subject to change without notice.

**FIBRELITE**   
PART OF OPW A DOVER COMPANY



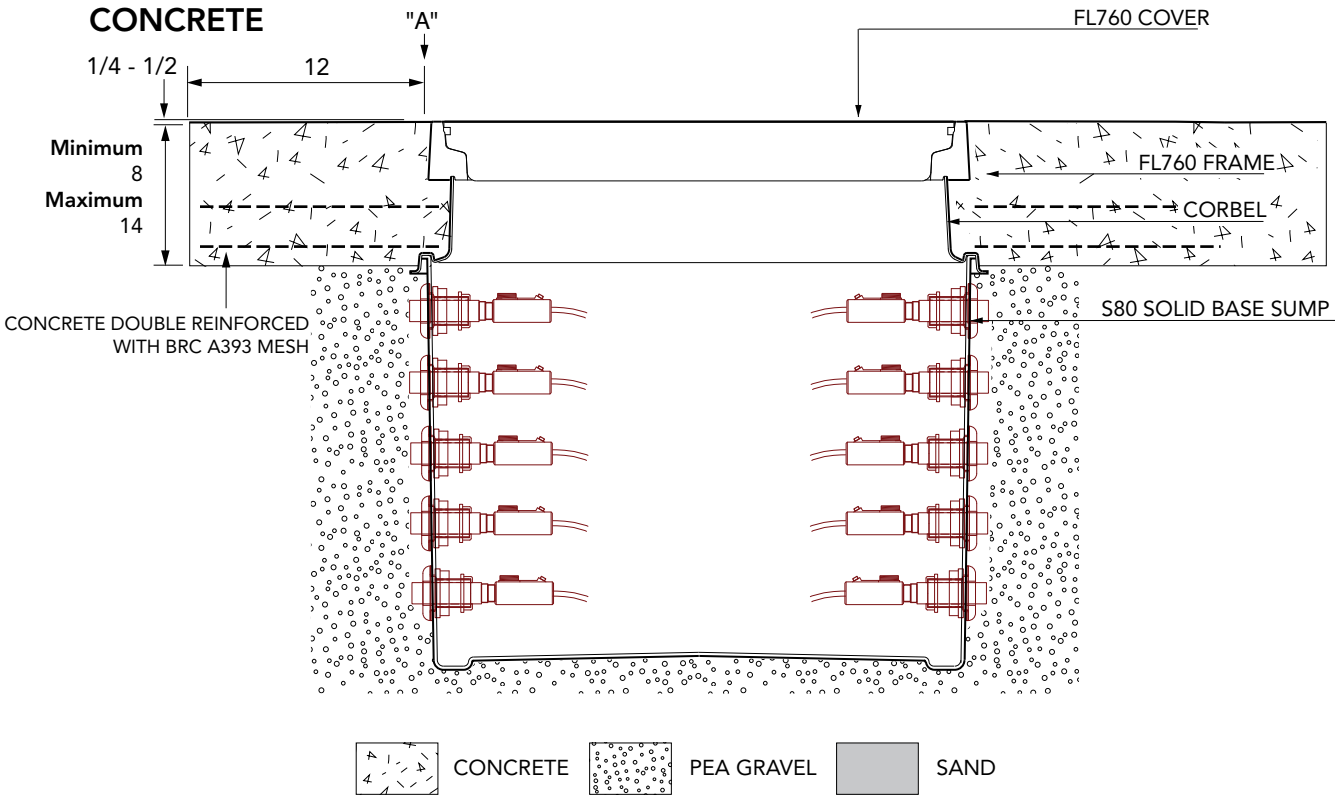
33 15/16" x 33 15/16" x 26 9/16" deep solid base sump with a corbel and 30" dia. flat sealed cover and frame

For reference purposes only. This drawing is not a specification. Order against product code only. To enable continuous improvement of our products, the designs and specifications are subject to change without notice.

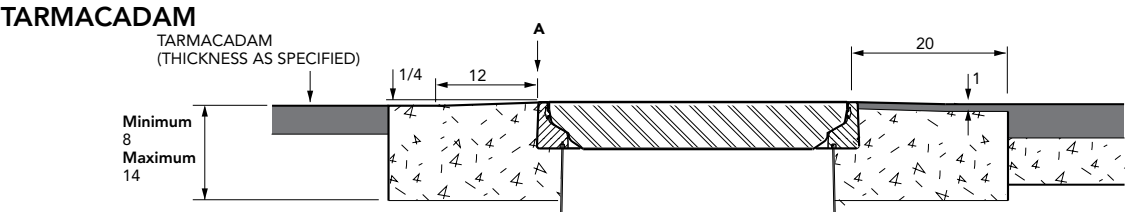
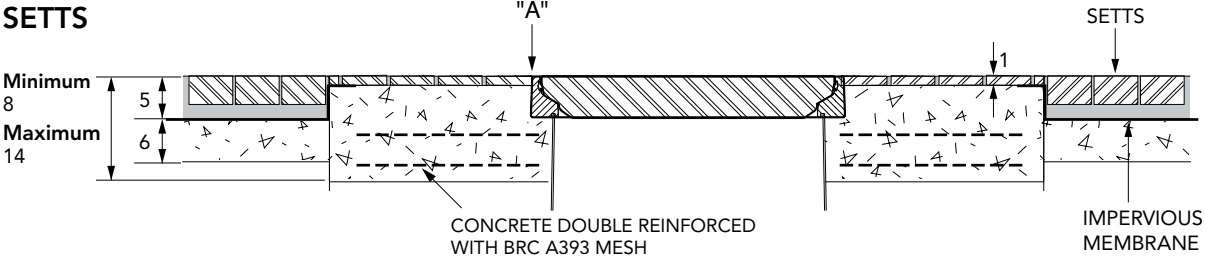
**FIBRELITE**   
PART OF OPW A DOVER COMPANY

**VERY IMPORTANT**  
 OUTER EDGE "A" OF FRAME SET 1/4 - 1/2"  
 ABOVE GENERAL FORECOURT AREA WITH  
 CONCRETE RAMPED AWAY OVER 12"

**TYPICAL INSTALLATION**



**ALTERNATIVE INSTALLATION ADVICE**



33 15/16" x 33 15/16" x 26 9/16" deep solid base sump with a corbel and 30" dia. flat sealed cover and frame

For reference purposes only. This drawing is not a specification. Order against product code only. To enable continuous improvement of our products, the designs and specifications are subject to change without notice.

