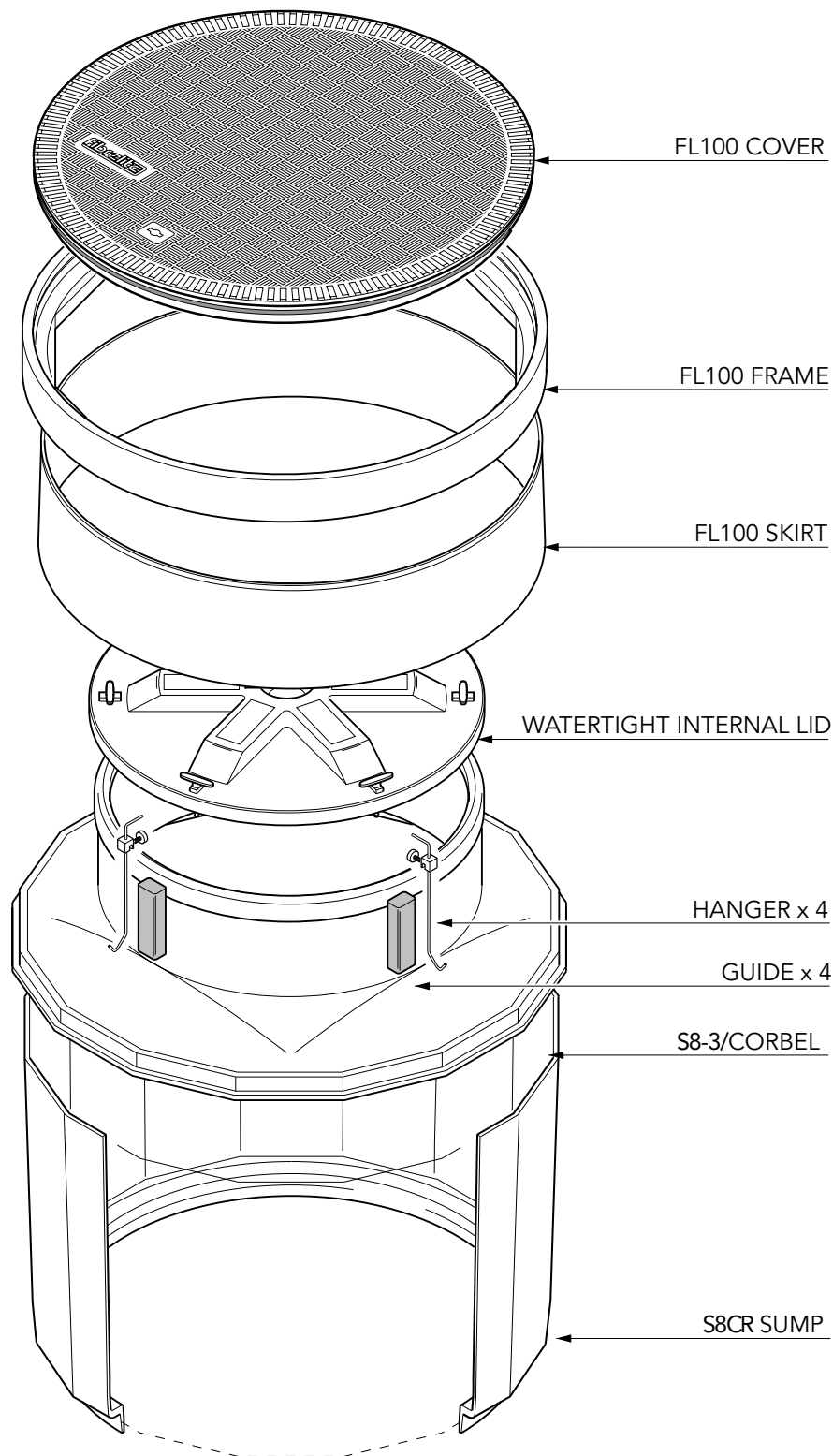


Watertight FRP sumps to fit 42" tank collar with a sealed corbel, watertight inner lid and 42" watertight, flat sealed manhole cover.

For reference purposes only. This drawing is not a specification. Order against product code only. To enable continuous improvement of our products, the designs and specifications are subject to change without notice.

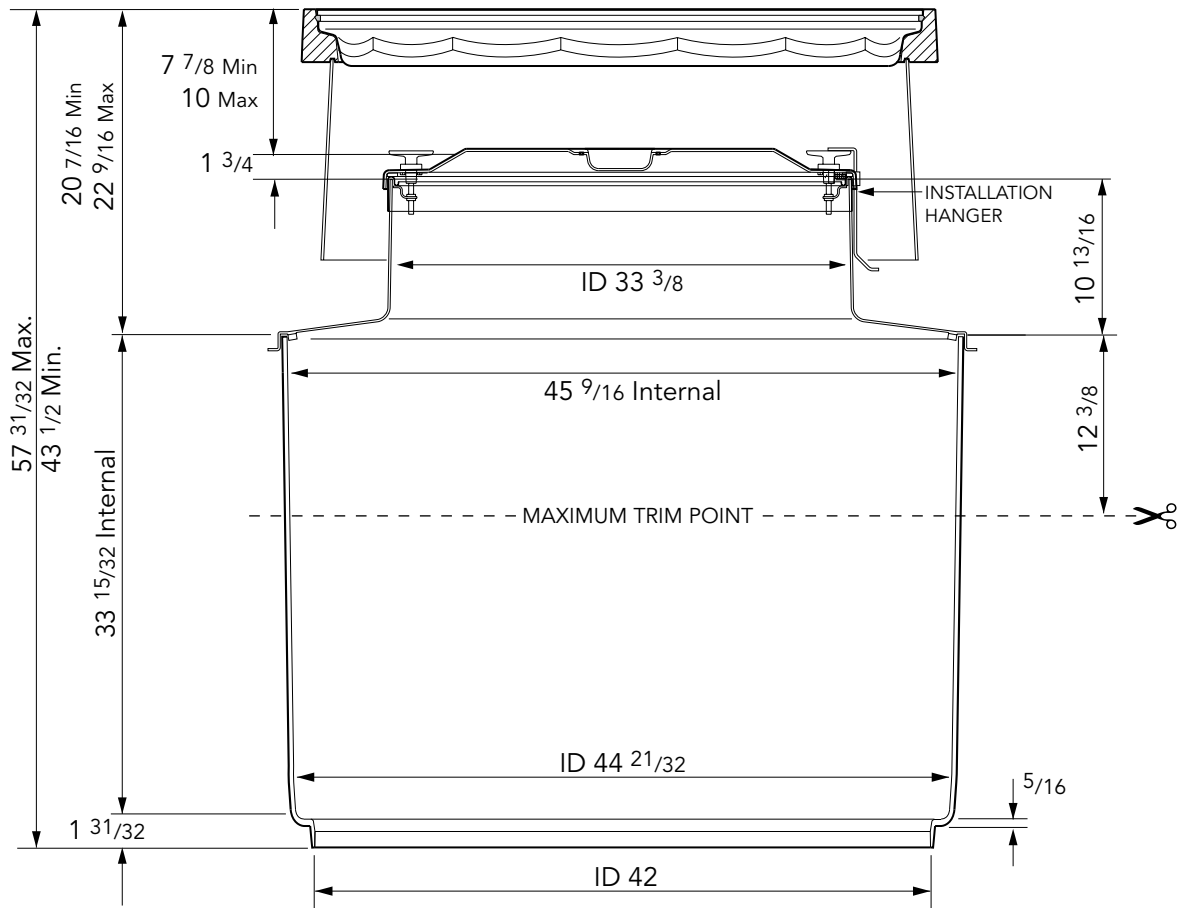
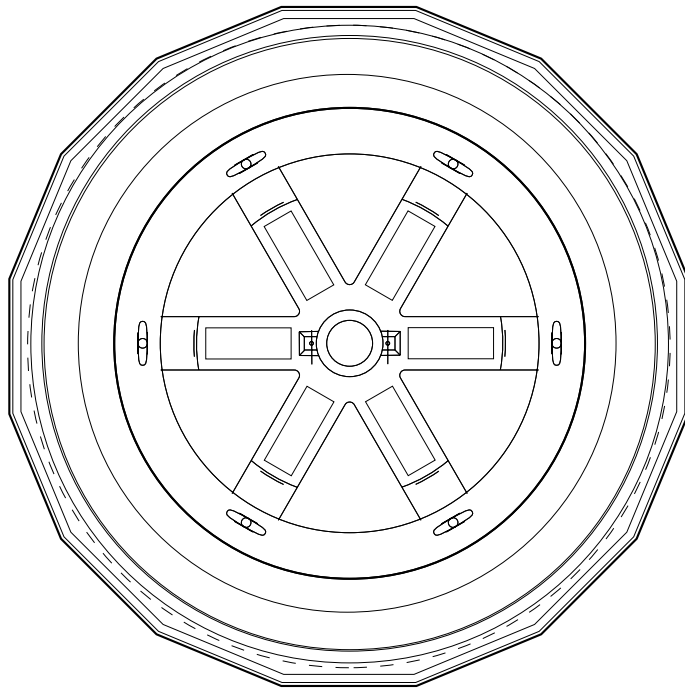
FIBRELITE 
PART OF OPW A DOVER COMPANY



Watertight FRP sumps to fit 42" tank collar with a sealed corbel, watertight inner lid and 42" watertight, flat sealed manhole cover.

For reference purposes only. This drawing is not a specification. Order against product code only. To enable continuous improvement of our products, the designs and specifications are subject to change without notice.

FIBRELITE 
PART OF OPW A DOVER COMPANY



Watertight FRP sumps to fit 42" tank collar with a sealed corbel, watertight inner lid and 42" watertight, flat sealed manhole cover.

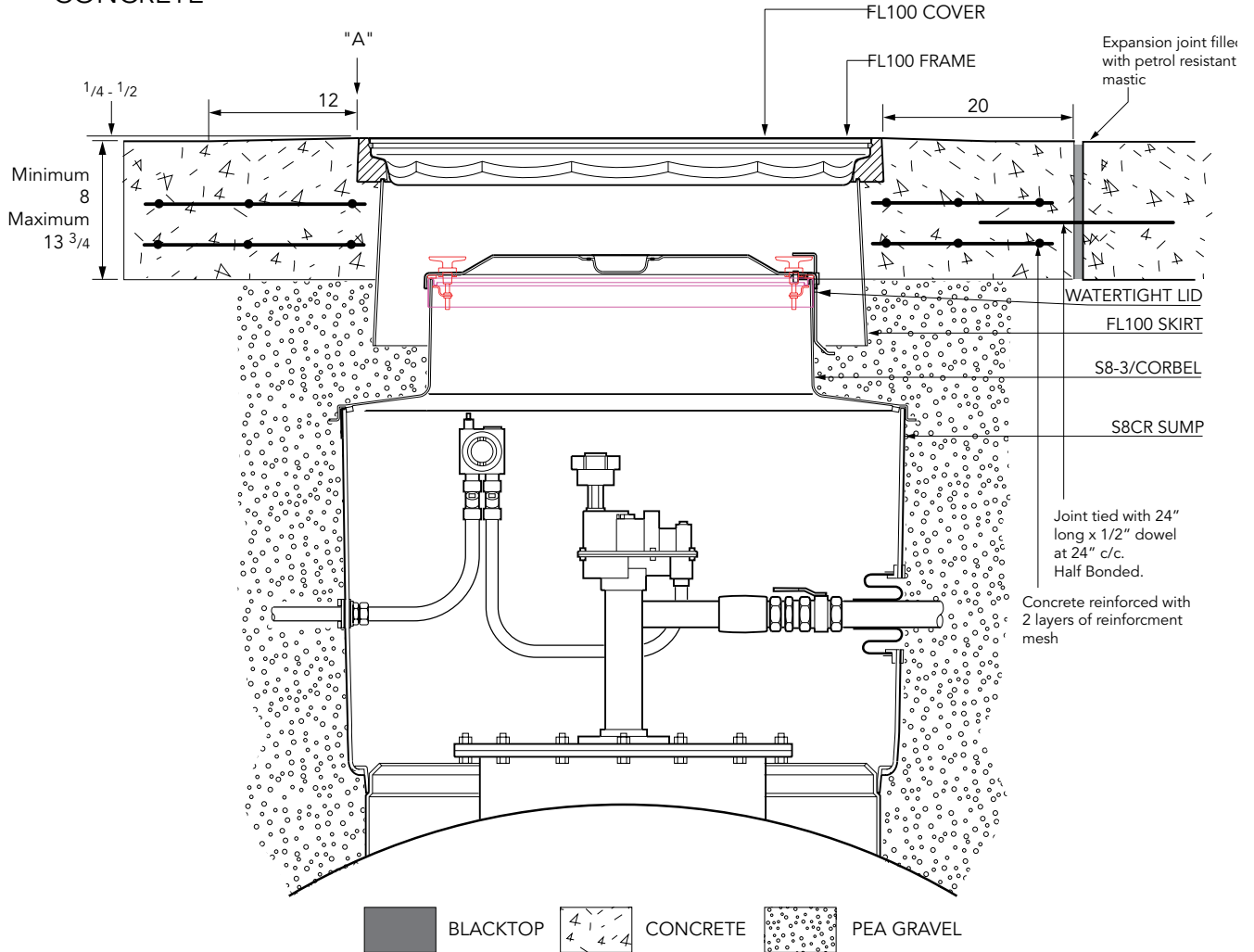
For reference purposes only. This drawing is not a specification. Order against product code only. To enable continuous improvement of our products, the designs and specifications are subject to change without notice.

FIBRELITE 
 PART OF OPW A DOVER COMPANY

VERY IMPORTANT
 OUTER EDGE "A" OF FRAME SET $\frac{1}{4}$ - $\frac{1}{2}$ "
 ABOVE GENERAL GRADE AREA WITH
 CONCRETE RAMPED AWAY OVER 12".

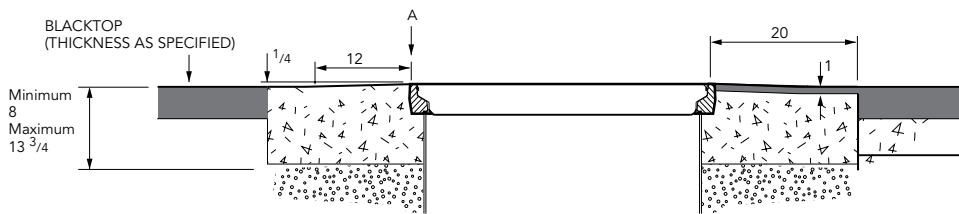
TYPICAL INSTALLATION

CONCRETE



ALTERNATIVE INSTALLATION ADVICE

BLACKTOP



Watertight FRP sumps to fit 42" tank collar with a sealed corbel, watertight inner lid and 42" watertight, flat sealed manhole cover.

For reference purposes only. This drawing is not a specification. Order against product code only. To enable continuous improvement of our products, the designs and specifications are subject to change without notice.

FIBRELITE 
 PART OF OPW A DOVER COMPANY