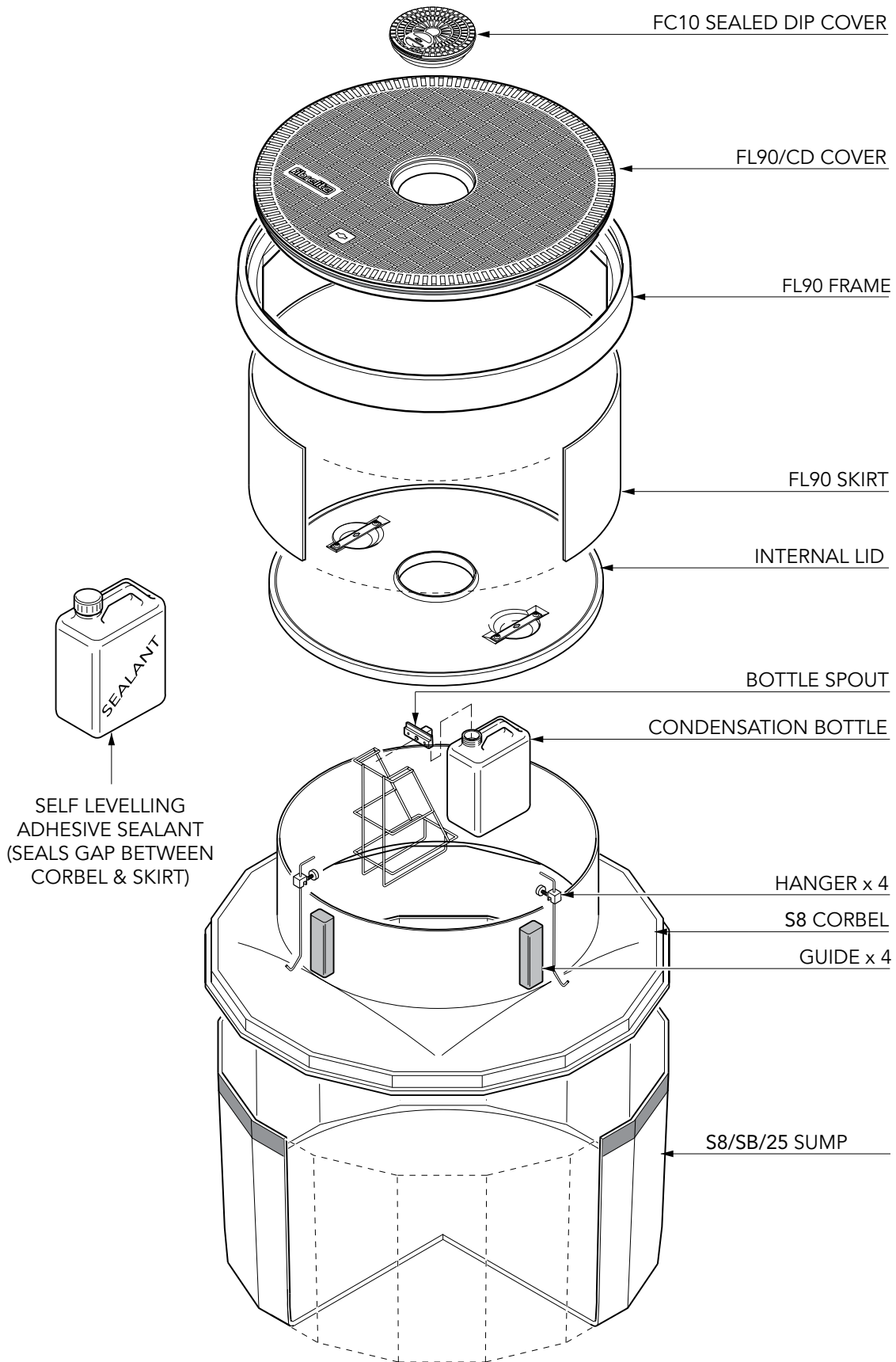


45" diameter base sump with a sealed corbel, internal lid, adjustable skirt, and round 36" flat sealed central dip cover. Structural base. Normal burial.

For reference purposes only. This drawing is not a specification. Order against product code only. To enable continuous improvement of our products, the designs and specifications are subject to change without notice.

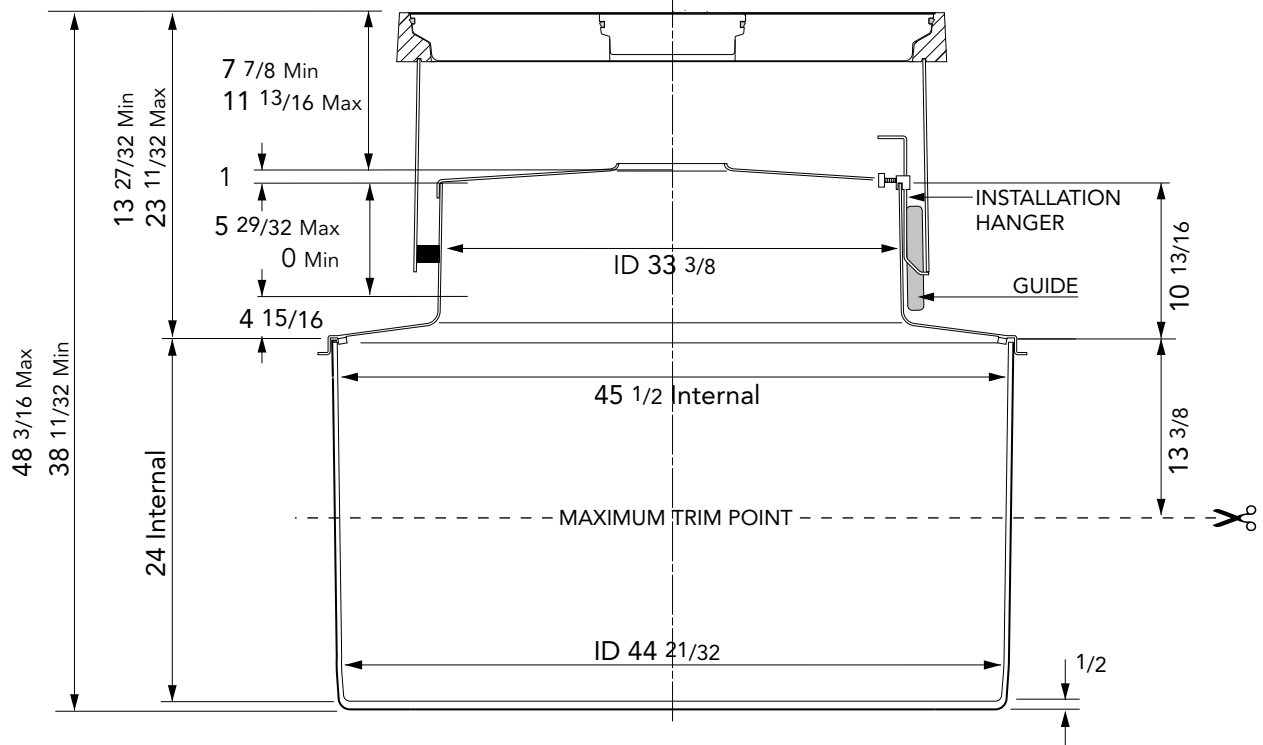
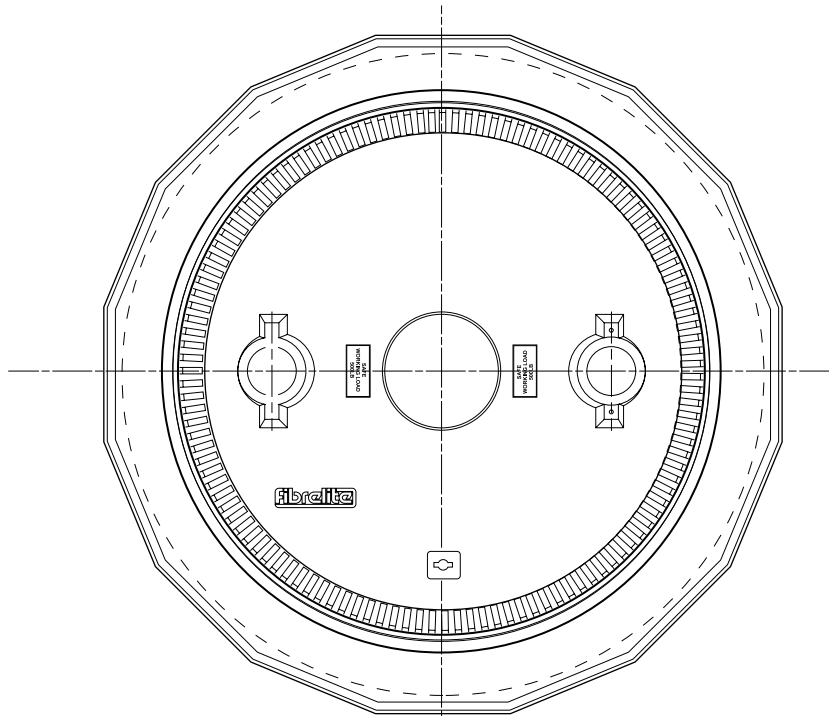
FIBRELITE 
PART OF OPW A DOVER COMPANY



45" diameter base sump with a sealed corbel, internal lid, adjustable skirt, and round 36" flat sealed central dip cover. Structural base. Normal burial.

For reference purposes only. This drawing is not a specification. Order against product code only. To enable continuous improvement of our products, the designs and specifications are subject to change without notice.

FIBRELITE 
PART OF OPW A DOVER COMPANY



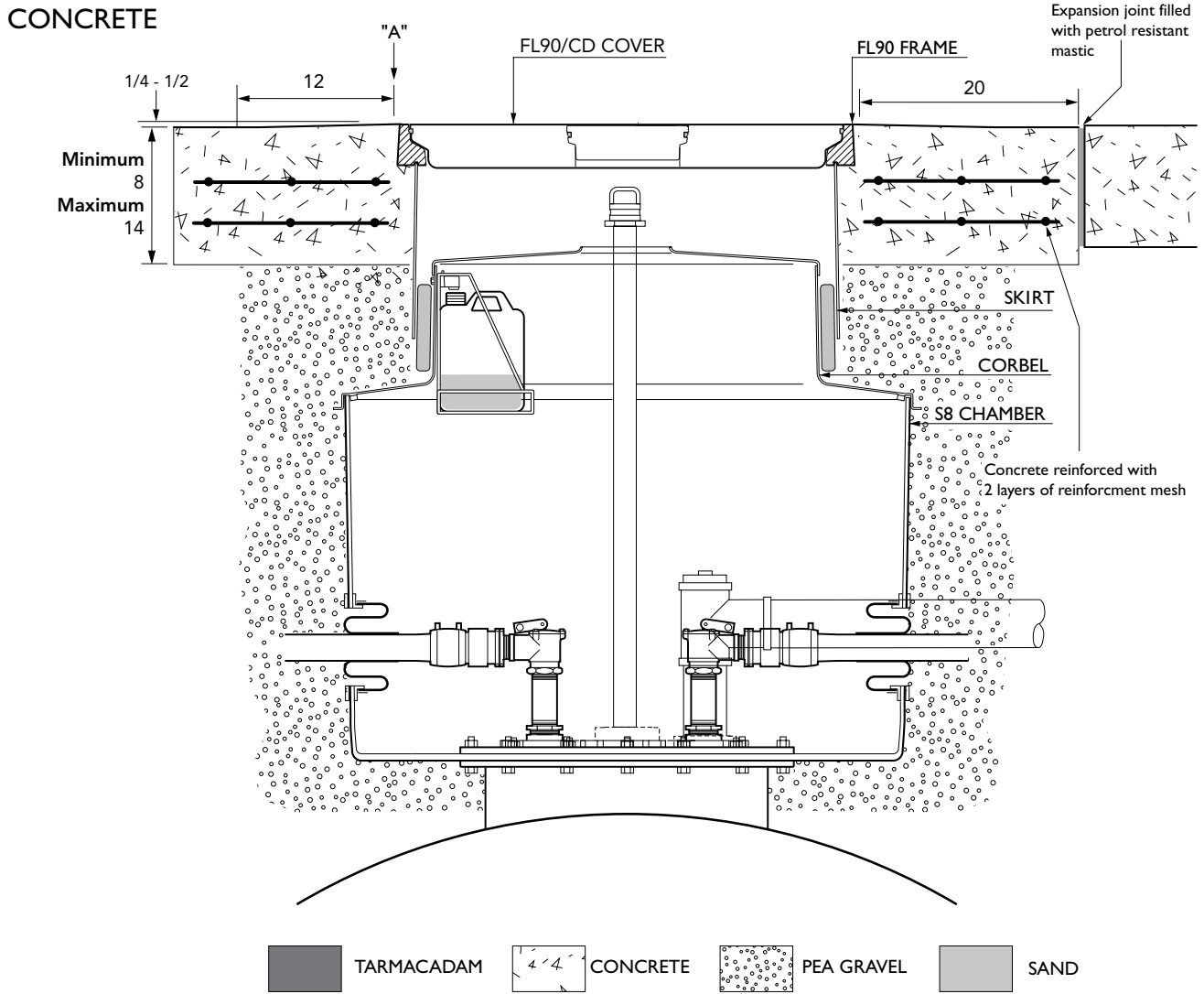
45" diameter base sump with a sealed corbel, internal lid, adjustable skirt, and round 36" flat sealed central dip cover. Structural base. Normal burial.

For reference purposes only. This drawing is not a specification. Order against product code only. To enable continuous improvement of our products, the designs and specifications are subject to change without notice.

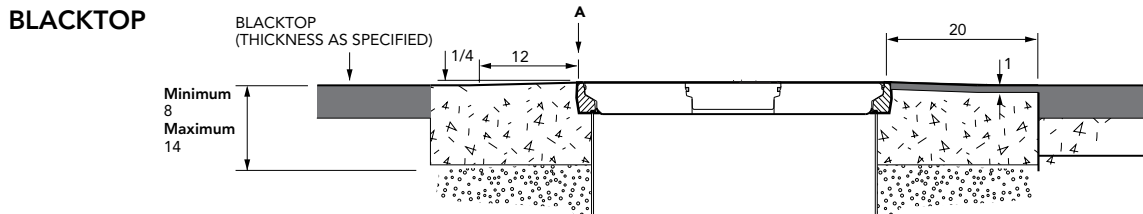
FIBRELITE 
PART OF OPW A DOVER COMPANY

VERY IMPORTANT
 OUTER EDGE "A" OF FRAME SET 1/4" - 1/2"
 ABOVE GENERAL GRADE AREA WITH
 CONCRETE RAMPED AWAY OVER 12".

TYPICAL INSTALLATION



ALTERNATIVE INSTALLATION ADVICE



45" diameter base sump with a sealed corbel, internal lid, adjustable skirt, and round 36" flat sealed central dip cover. Structural base. Normal burial.

For reference purposes only. This drawing is not a specification. Order against product code only. To enable continuous improvement of our products, the designs and specifications are subject to change without notice.

