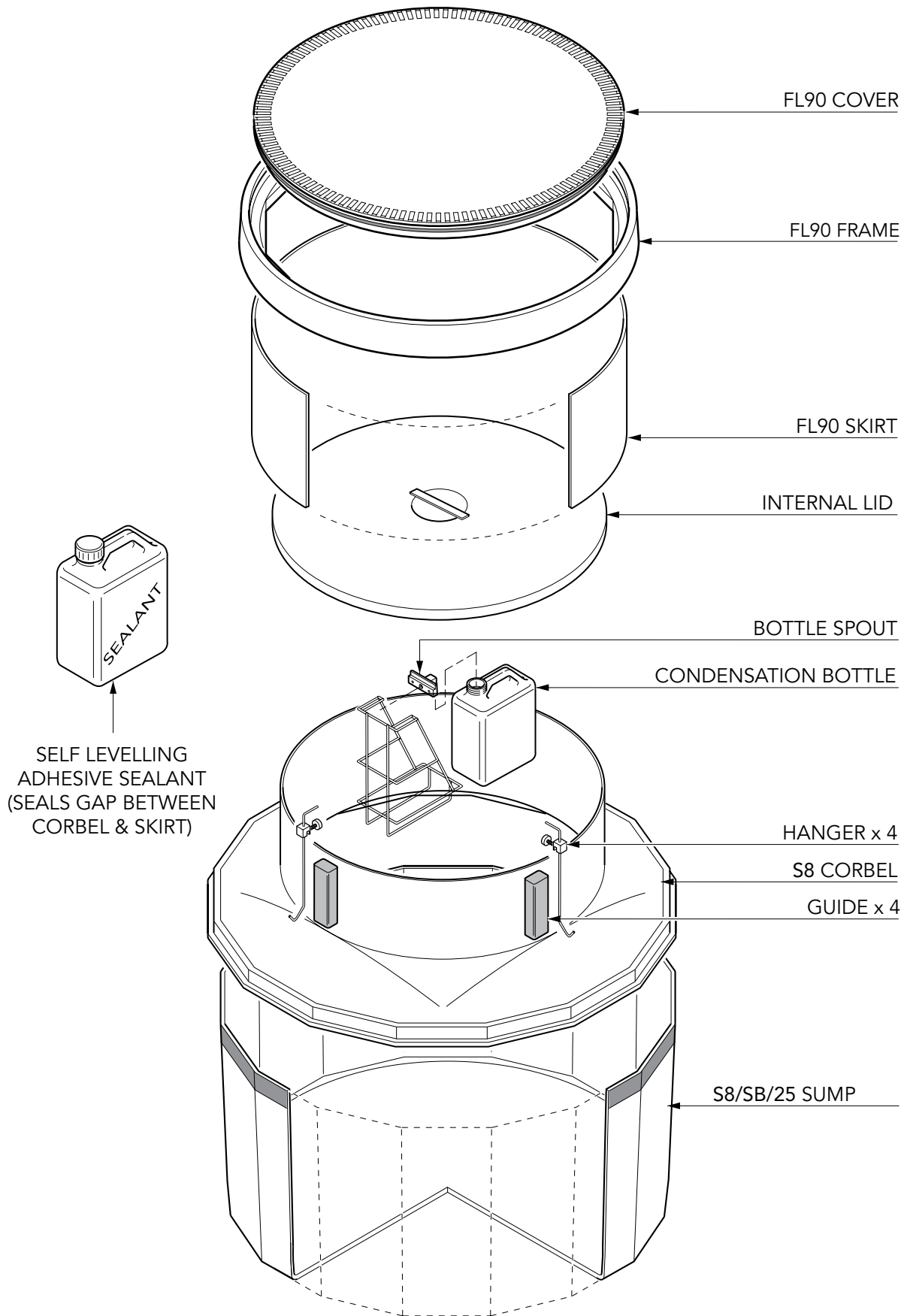


45" diameter base sump with a sealed corbel, internal lid, adjustable skirt, and round 36" flat sealed cover. Structural base. Normal burial.

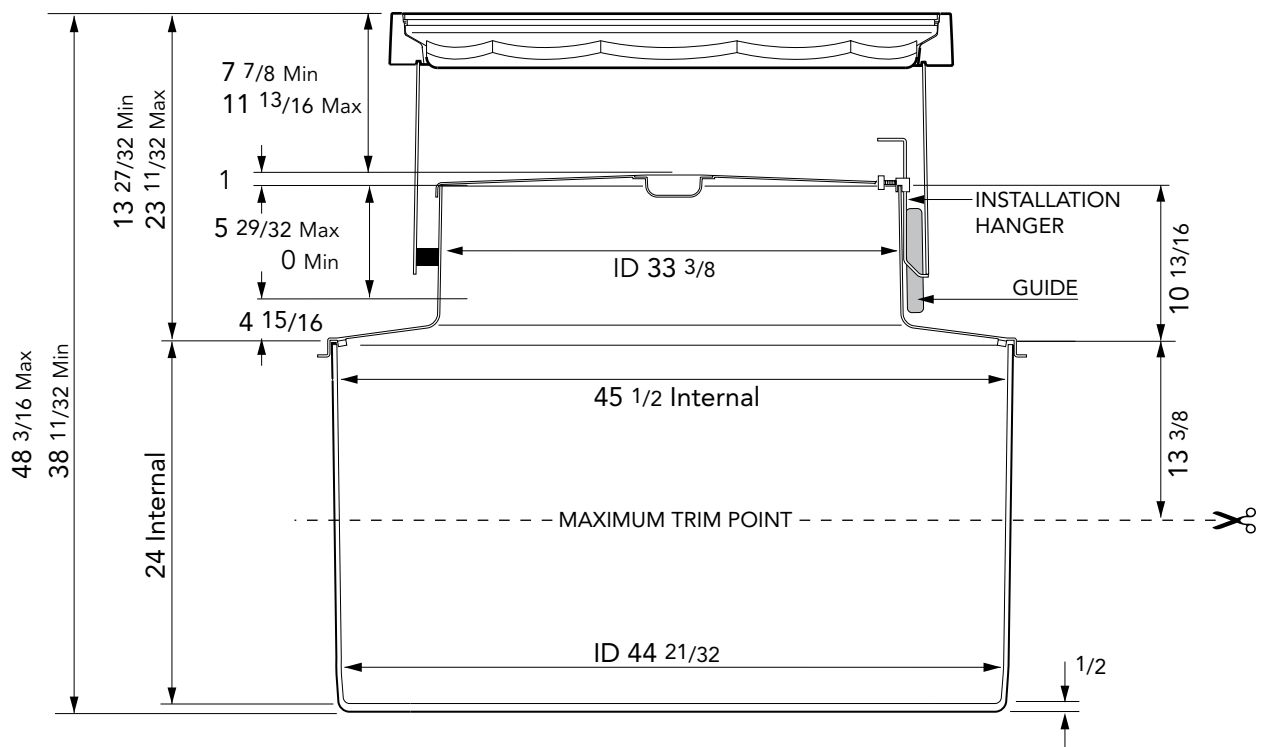
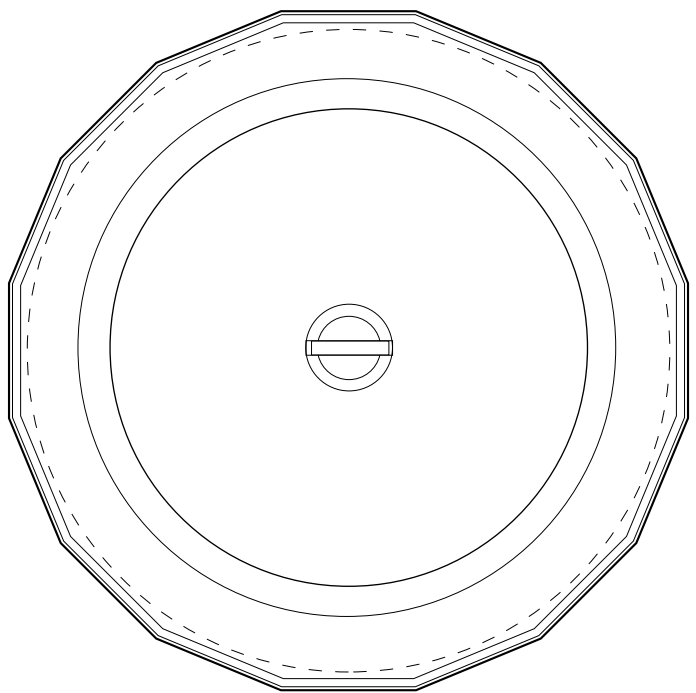
For reference purposes only. This drawing is not a specification. Order against product code only. To enable continuous improvement of our products, the designs and specifications are subject to change without notice.



45" diameter base sump with a sealed corbel, internal lid, adjustable skirt, and round 36" flat sealed cover. Structural base. Normal burial.

For reference purposes only. This drawing is not a specification. Order against product code only. To enable continuous improvement of our products, the designs and specifications are subject to change without notice.

**FIBRELITE**   
 PART OF OPW A DOVER COMPANY



45" diameter base sump with a sealed corbel, internal lid, adjustable skirt, and round 36" flat sealed cover. Structural base. Normal burial.

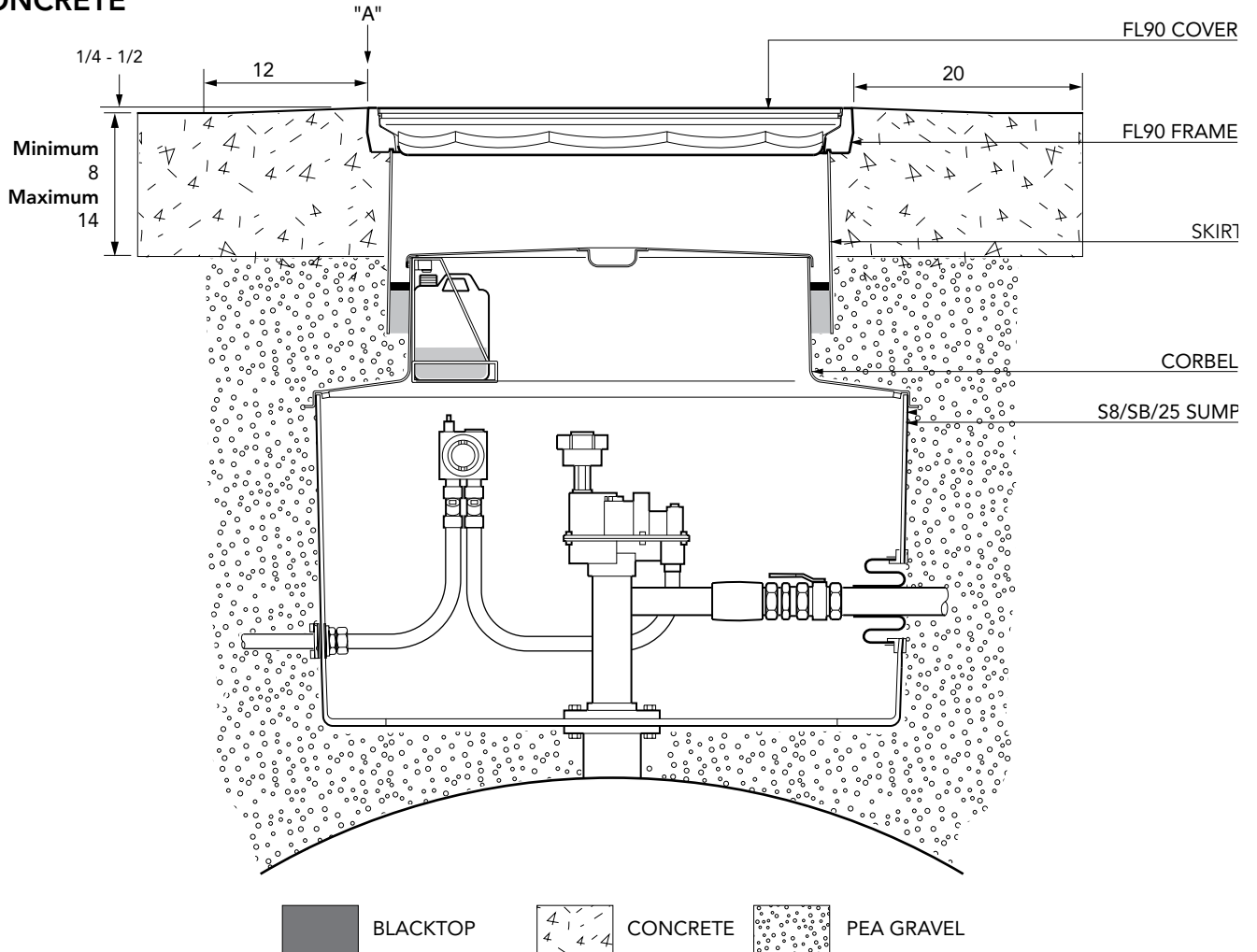
For reference purposes only. This drawing is not a specification. Order against product code only. To enable continuous improvement of our products, the designs and specifications are subject to change without notice.



**VERY IMPORTANT**  
 OUTER EDGE "A" OF FRAME SET 1/4" - 1/2"  
 ABOVE GENERAL GRADE AREA WITH  
 CONCRETE RAMPED AWAY OVER 12".

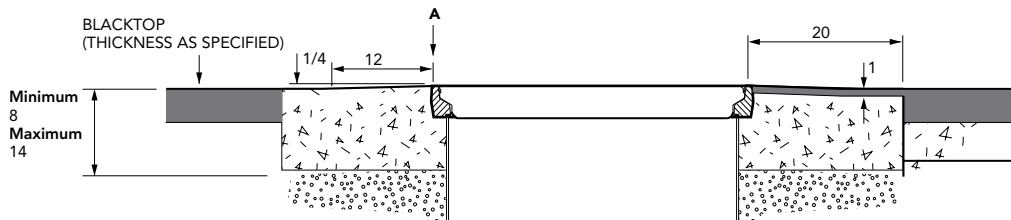
**TYPICAL INSTALLATION**

**CONCRETE**



**ALTERNATIVE INSTALLATION ADVICE**

**BLACKTOP**



45" diameter base sump with a sealed corbel, internal lid, adjustable skirt, and round 36" flat sealed cover. Structural base. Normal burial.

For reference purposes only. This drawing is not a specification. Order against product code only. To enable continuous improvement of our products, the designs and specifications are subject to change without notice.

