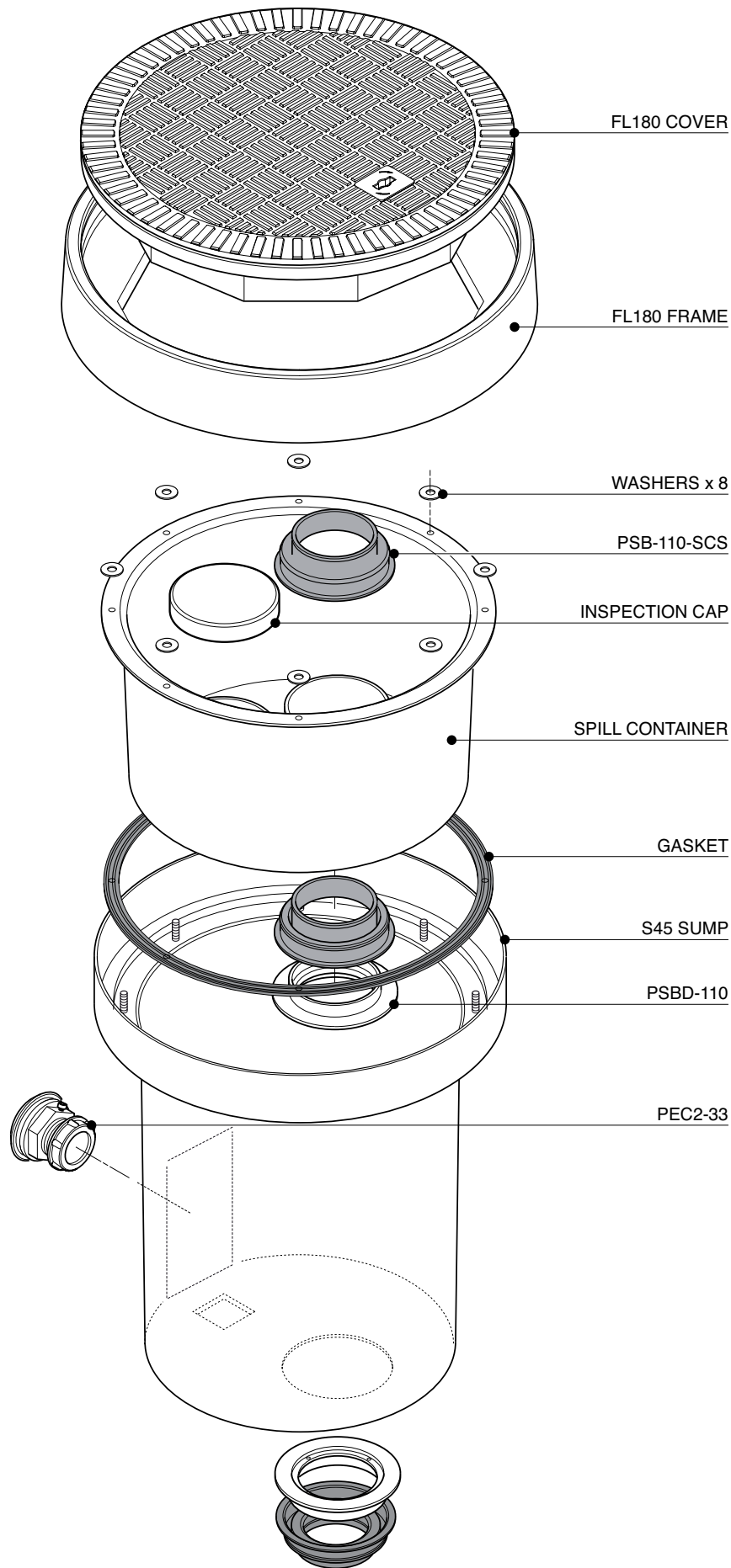


Secondary Contained Direct Fill Sump 385mm dia. x 550mm deep solid base sump, with a sealed secondary spill container and integrated drainback valve system. 450mm dia. flat sealed cover and frame. Includes PSBD-110-SCS 110mm dia fill pipe sealkit and grounding cable sealkit. Direct Fill not suitable for stage 1 co-axial vapour recovery

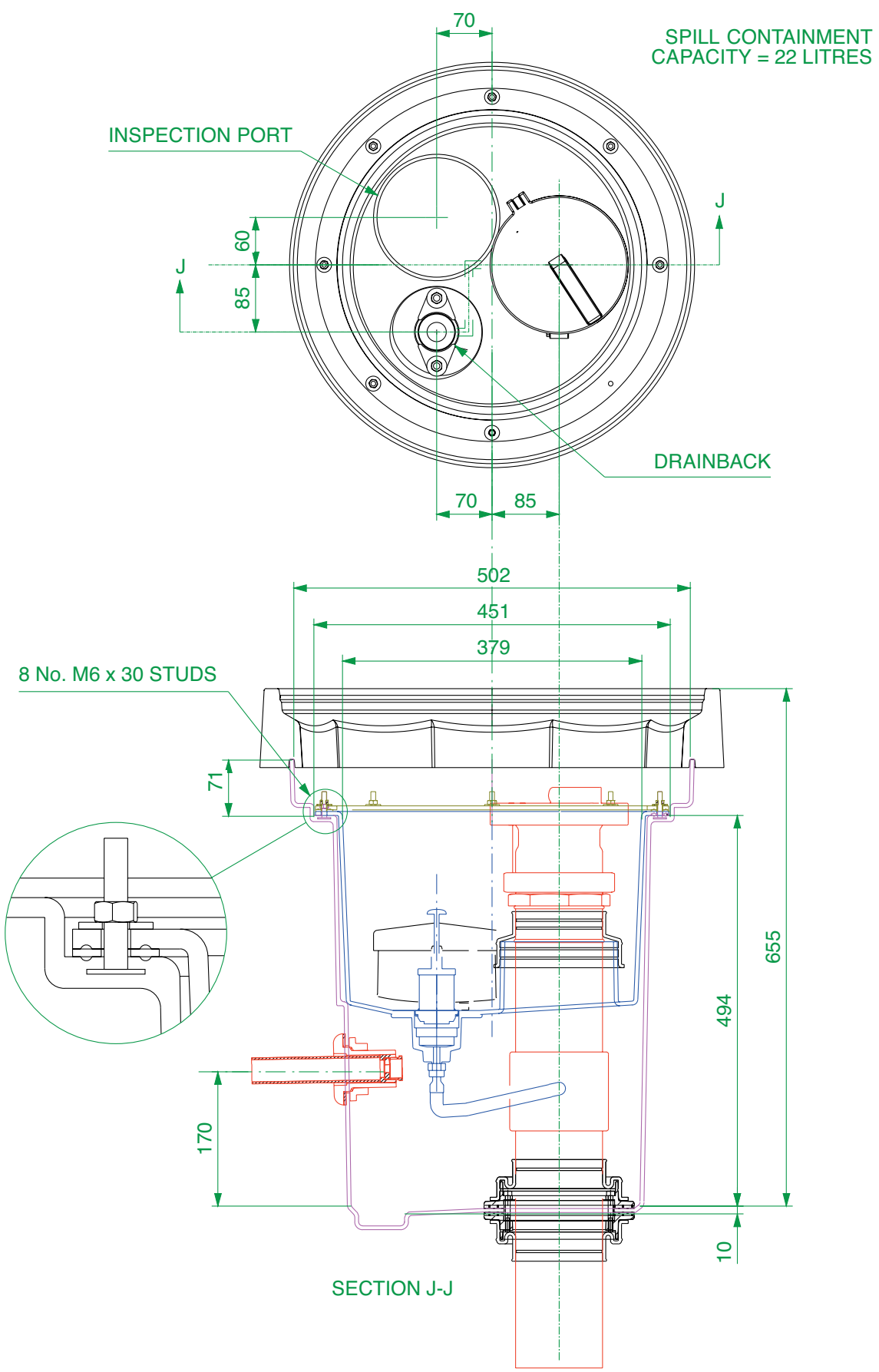
For reference purposes only. This drawing is not a specification. Order against product code only. To enable continuous improvement of our products, the designs and specifications are subject to change without notice.



Secondary Contained Direct Fill Sump 385mm dia. x 550mm deep solid base sump, with a sealed secondary spill container and integrated drainback valve system. 450mm dia. flat sealed cover and frame. Includes PSBD-110-SCS 110mm dia fill pipe sealkit and grounding cable sealkit. Direct Fill not suitable for stage 1 co-axial vapour recovery

For reference purposes only. This drawing is not a specification. Order against product code only. To enable continuous improvement of our products, the designs and specifications are subject to change without notice.

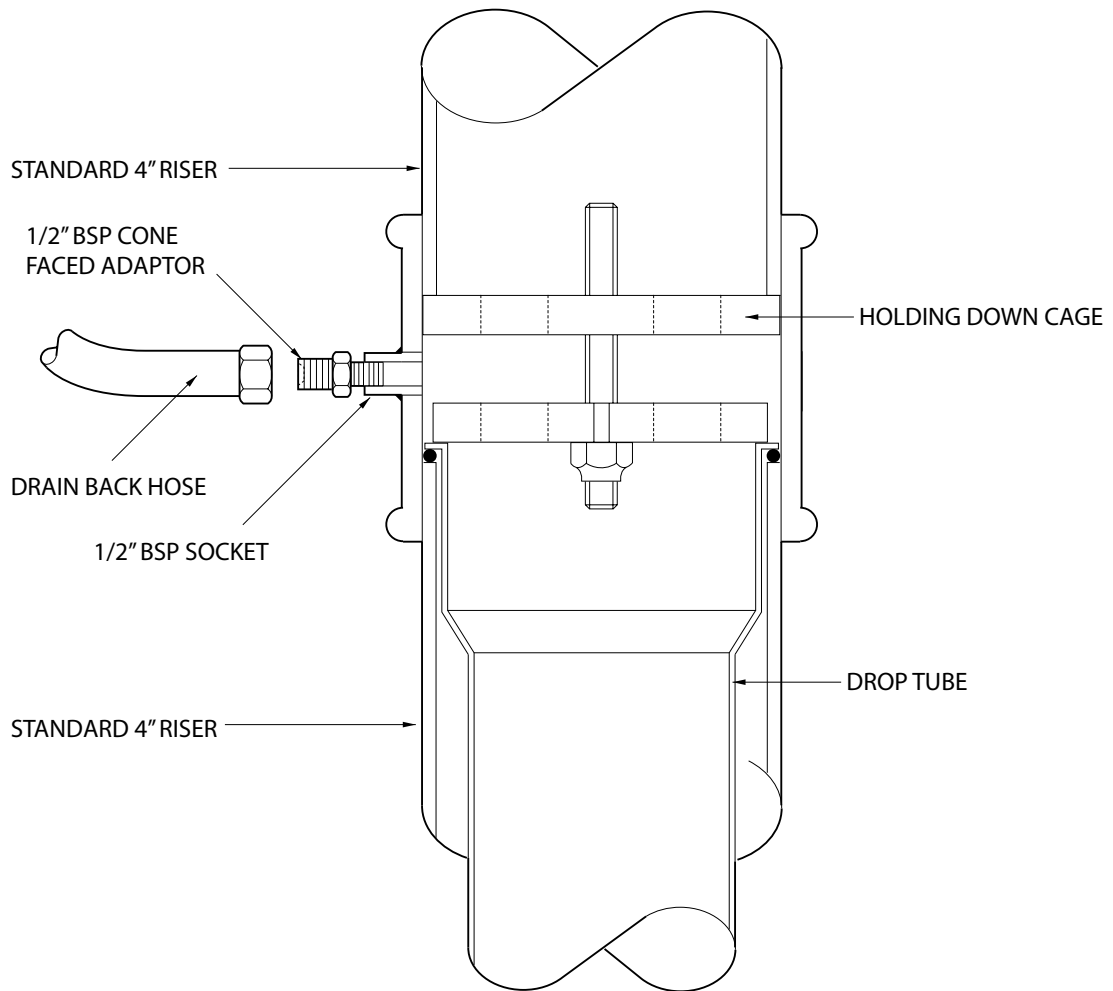
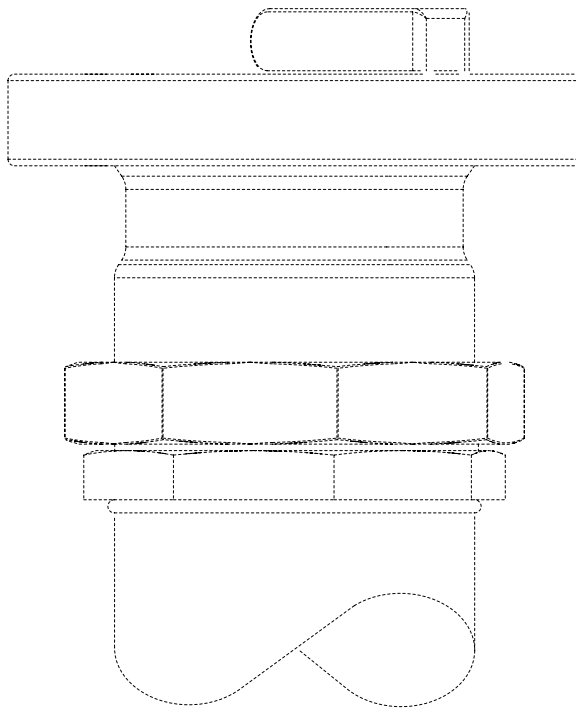
**FIBRELITE**   
PART OF OPW A DOVER COMPANY



Secondary Contained Direct Fill Sump 385mm dia. x 550mm deep solid base sump, with a sealed secondary spill container and integrated drainback valve system. 450mm dia. flat sealed cover and frame. Includes PSBD-110-SCS 110mm dia fill pipe sealkit and grounding cable sealkit. Direct Fill not suitable for stage 1 co-axial vapour recovery

For reference purposes only. This drawing is not a specification. Order against product code only. To enable continuous improvement of our products, the designs and specifications are subject to change without notice.

**FIBRELITE**   
PART OF OPW A DOVER COMPANY



Secondary Contained Direct Fill Sump 385mm dia. x 550mm deep solid base sump, with a sealed secondary spill container and integrated drainback valve system. 450mm dia. flat sealed cover and frame. Includes PSBD-110-SCS 110mm dia fill pipe sealkit and grounding cable sealkit. Direct Fill not suitable for stage 1 co-axial vapour recovery

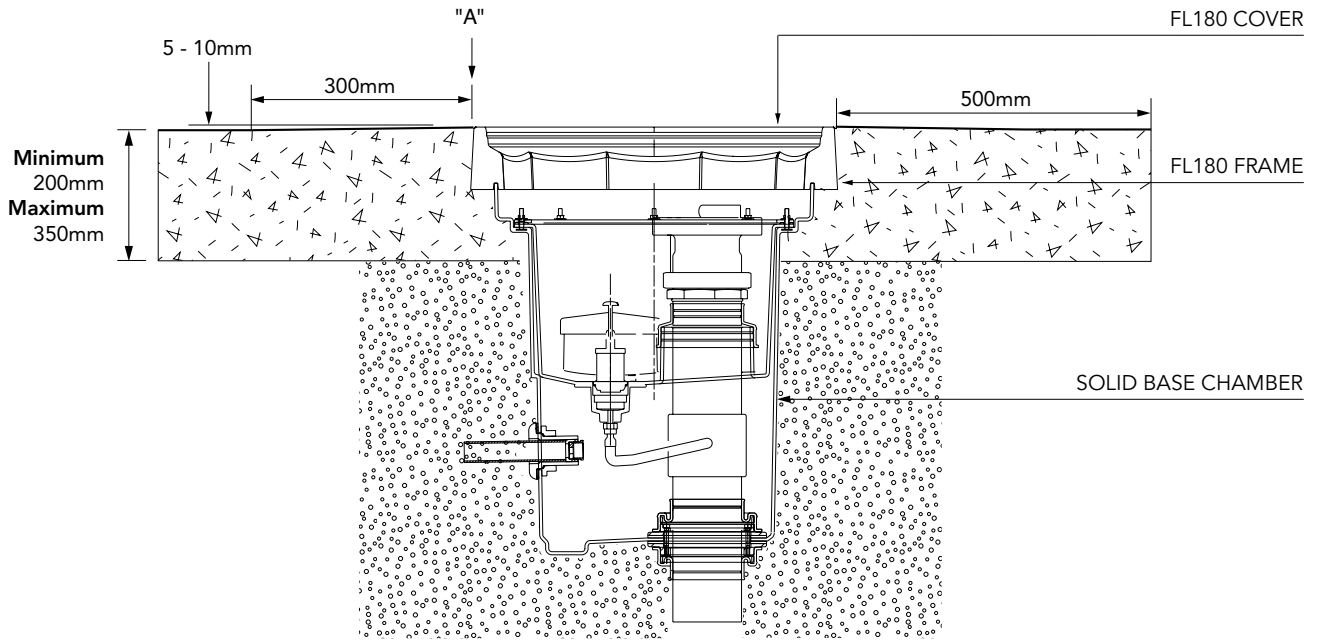
For reference purposes only. This drawing is not a specification. Order against product code only. To enable continuous improvement of our products, the designs and specifications are subject to change without notice.

**FIBRELITE**   
PART OF OPW A DOVER COMPANY

**VERY IMPORTANT**  
 OUTER EDGE "A" OF FRAME SET 5 - 10MM  
 ABOVE GENERAL FORECOURT AREA WITH  
 CONCRETE RAMPED AWAY OVER 300MM.

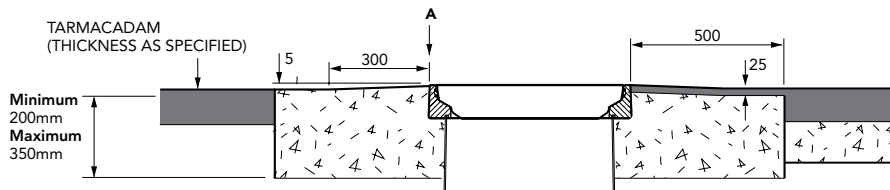
**TYPICAL INSTALLATION**

**CONCRETE**

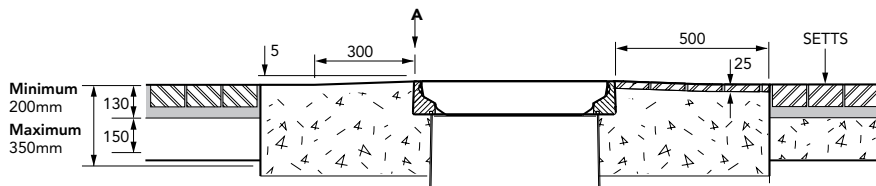


**ALTERNATIVE INSTALLATION ADVICE**

**TARMACADAM**



**SETTS**



Secondary Contained Direct Fill Sump 385mm dia. x 550mm deep solid base sump, with a sealed secondary spill container and integrated drainback valve system. 450mm dia. flat sealed cover and frame. Includes PSBD-110-SCS 110mm dia fill pipe sealkit and grounding cable sealkit. Direct Fill not suitable for stage 1 co-axial vapour recovery

For reference purposes only. This drawing is not a specification. Order against product code only. To enable continuous improvement of our products, the designs and specifications are subject to change without notice.

**FIBRELITE**   
 PART OF OPW A DOVER COMPANY