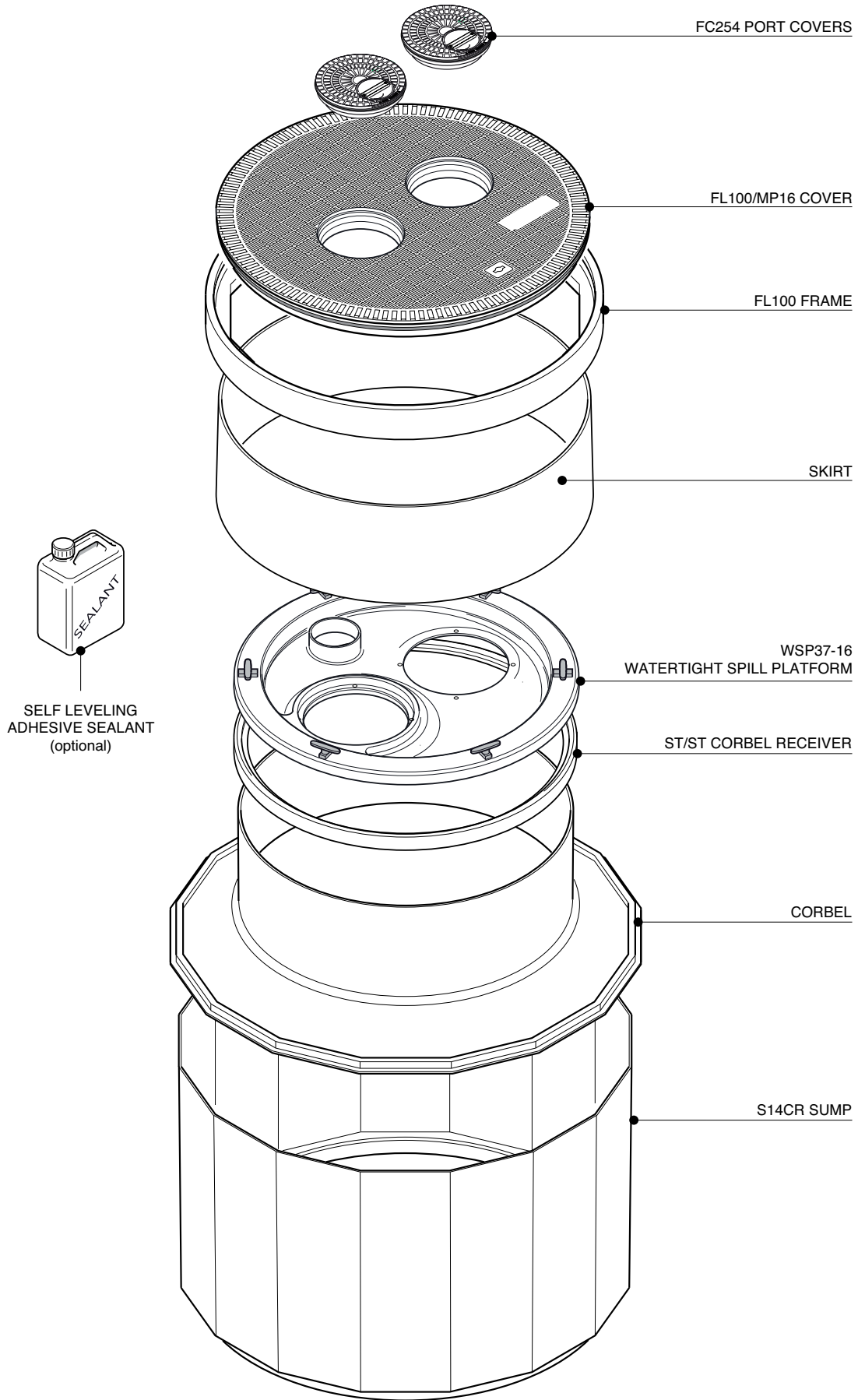


1.4m diameter sump with collar ring base, corbel, skirt, spill container, round 1020mm flat sealed multiport cover with two port covers and frame.

For reference purposes only. This drawing is not a specification. Order against product code only. To enable continuous improvement of our products, the designs and specifications are subject to change without notice.

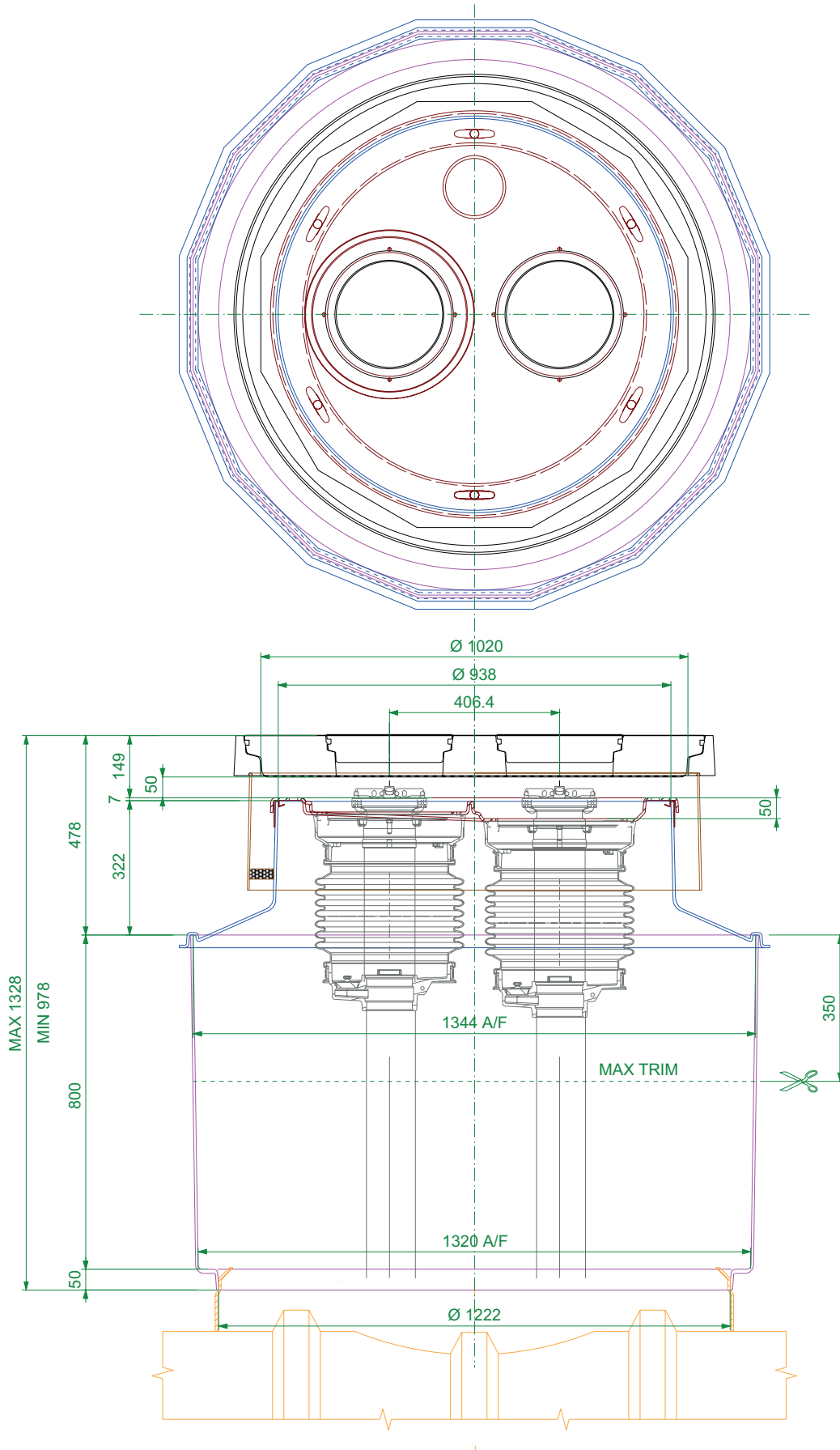
FIBRELITE 
PART OF OPW A DOVER COMPANY



1.4m diameter sump with collar ring base, corbel, skirt, spill container, round 1020mm flat sealed multiport cover with two port covers and frame.

For reference purposes only. This drawing is not a specification. Order against product code only. To enable continuous improvement of our products, the designs and specifications are subject to change without notice.

FIBRELITE 
PART OF OPW A DOWDER COMPANY



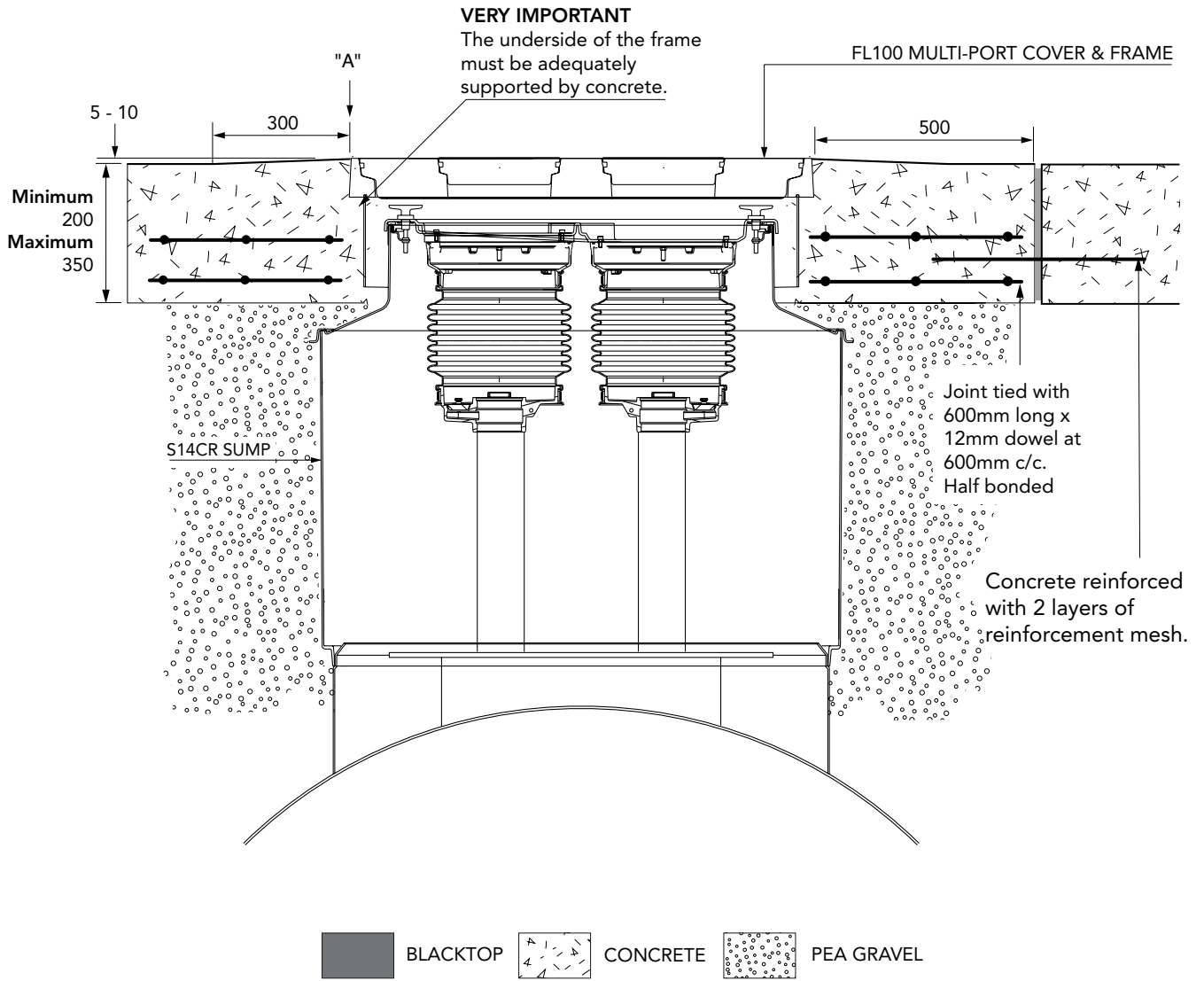
1.4m diameter sump with collar ring base, corbel, skirt, spill container, round 1020mm flat sealed multiport cover with two port covers and frame.

For reference purposes only. This drawing is not a specification. Order against product code only. To enable continuous improvement of our products, the designs and specifications are subject to change without notice.

FIBRELITE 
PART OF OPW A DOW COMPANY

TYPICAL INSTALLATION

CONCRETE



VERY IMPORTANT
OUTER EDGE "A" OF FRAME SET 5 - 10mm ABOVE GENERAL GRADE AREA WITH CONCRETE RAMPED AWAY OVER 300mm.